

# Spare Parts

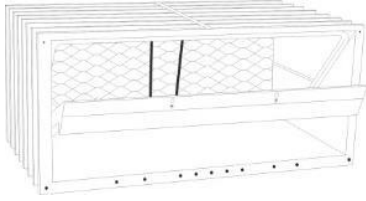
---

## Product groups

- 1 System
- 2 Climatic Zone
- 3 [Air Inlet](#)
- 4 [Air Outlet](#)
- 5 [Emergency Opening](#)
- 6 [Cooling](#)
- 7 [Heating](#)
- 8 [Interlinking](#)
- 9 [Climate and Production Control](#)
- 10 [Alarm](#)
- 11 [Production Control](#)
- 12 [FarmOnline](#)
- 13 [Bird Scale and Pig Weighers](#)
- 14 [Feed Weighers](#)
- 15 [Water Meter](#)
- 16 [Climate Sensors](#)
- 17 [Capacitive Sensors](#)
- 18 [Control Panels](#)
- 19 [Air Cleaning – Air out](#)
- 20 [Recirculation Unit](#)
- 21 [Air Cleaning – Air in](#)
- 22 [Various Spare Parts](#)

### 3 Air inlet

#### DA 1000 wall inlet



#### DA 12xx wall inlet



- 433120 DA 1220 wall inlet fine-meshed
- 433020 DA 1220 wall inlet coarse-mesh
- 433320 DA 1220 wall inlet without net
- 433001 DA 1220 wall inlet, transp. without net
- 433124 DA 1224 wall inlet fine-meshed
- 433024 DA 1224 wall inlet coarse-mesh
- 433324 DA 1224 wall inlet without net
- 433002 DA 1224 wall inlet, transp. without net
- 433129 DA 1229 wall inlet fine-meshed
- 433029 DA 1229 wall inlet coarse-mesh
- 433329 DA 1229 wall inlet without net
- 433003 DA 1229 wall inlet, transp. without net
- 433133 DA 1233 wall inlet fine-meshed
- 433033 DA 1233 wall inlet coarse-mesh
- 433333 DA 1233 wall inlet without net
- 433004 DA 1233 wall inlet, transp. without net

#### DA 1211 flange inlet 11 cm



- 433011 DA 1211 flange inlet 11 cm
- 433160 DA 1211 flange inlet with transp. Flap
- 433044 DA 1211 flange inlet 11 cm,  
Anti-freeze

#### DA 1211B flange inlet 11 cm



- 433008 DA 1211B flange inlet 11 cm
- \*S433008A DA 1211B flange inlet 11 cm,  
transp.flap

\*\*The product is phased out

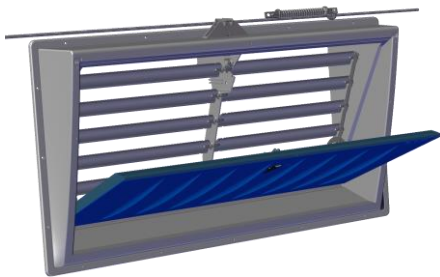
### 3 Air inlet

#### DA 1911 flange inlet



- 433161 DA 1911 flange inlet 11cm
- 433169 DA 1911 flange inlet, 11cm, coarse mesh
- 433130 DA 1911 flange inlet w/transparent flap
- 433131 DA 1911 HP flange inlet 11cm coarse mesh
- 433165 DA 1911B flange inlet 11 cm
- \*433165F DA 1911B flange inlet 11 cm

#### DA 3800 flange inlet



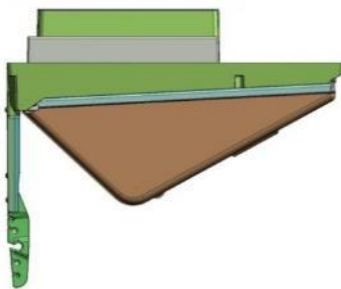
- 433354 DA 3800 AFC flange inlet w/inlet funnel
- 433374 DA 3800 AFC flange inlet wo/inlet funnel
- 433353 DA 3800 flange inlet w/inlet funnel
- 433373 DA 3800 flange inlet wo/inlet funnel

#### DA 1540 ceiling inlet



- 401350 DA 1540 ceiling inlet
- 401370 DA 1540 HP ceiling inlet

#### DA 1500 ceiling inlet



- \*401321 DA 1500 ceiling inlet

\*\*The product is phased out

### 3 Air inlet

#### DA 1800 ceiling inlet



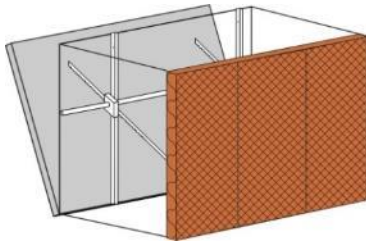
- 401361 DA 1800 loftventil CD  
 \*401322 DA 1800 ceiling inlet CD

#### DA 30 ceiling inlet



- \*401300 DA 30K ceiling inlet 60 x 40 cm  
 \*401305 DA 30S ceiling inlet 71 x 40 cm

#### Rack and Pinion



#### DA 17K tunnel inlet



- 433700 DA 17K Tunnel inlet, highly insulated  
 433701 DA 17K Tunnel inlet, semi-insulated  
 433716 DA 17K tunnel inlet, highly insulated  
 outside  
 433717 DA 17K tunnel inlet, semi insulated  
 outside

\*The product is phased out



### 3 Air inlet

---

#### DA 10K tunnel inlet



433707 DA 10K Tunnel inlet, highly insulated

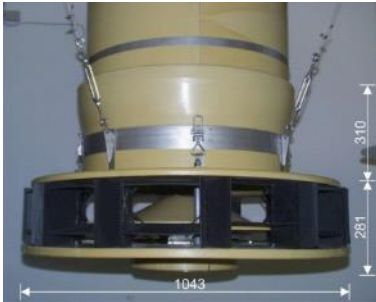
433708 DA 10K Tunnel inlet, semi-insulated

433713 DA 10K tunnel inlet, transparent

#### Tunnel door light

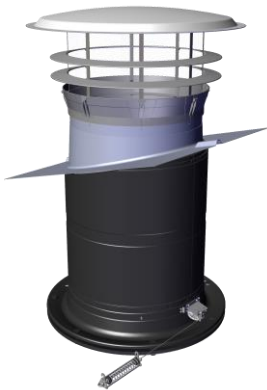


#### DA 40



433404 DA 40A air supply unit

#### DA 60-820

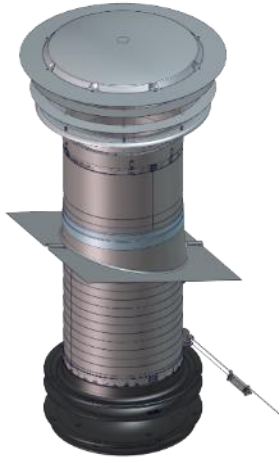


\*The product is phased out

### 3 Air inlet

---

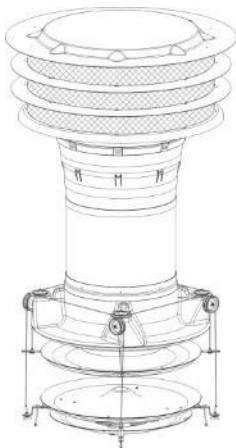
DA 60-920



DA 60-920 equal pressure unit



DA 50-650

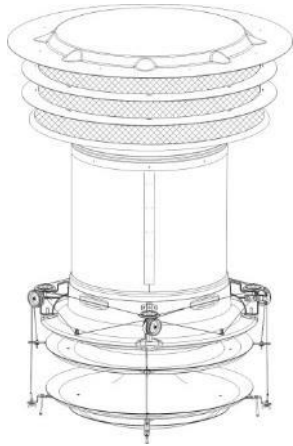


433474 DA 50-650 roof cap complete, grey

### 3 Air inlet

---

#### DA 50-920



\*433444 DA 50-920 funnel tube complete, grey

\*433543 DA 50-920 funnel tube complete,  
black

---

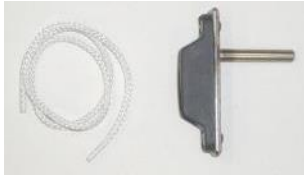
\*The product is phased out

### 3.1 DA 1000 wall inlet

#### DA 1000 wall inlet



401940 DA 1000 blue inlet shutter



401902 DA 1000/1200 single operation set



401916 DA 1000 string f. multi-AIC



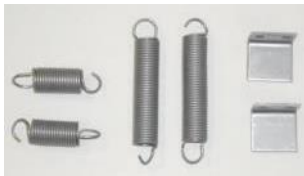
401921 DA 1000 AIC, 1:2 update



522006 Clamp for 8 mm pull rod with/screw



401924 DA 1000 AIC, delayed, update/DA1200 slack



401927 Spring set f. DA 1000 reconstr.  
Spare part DA 1000 shutter, new type.



401906 DA 1000 spring 9x50 ss  
Spare part DA 1000 shutter, old type.

**DA 1000 wall inlet**

**401907 DA 1000 spring 9x20 ss**  
Spare part DA 1000 shutter, old type.



**504812 U-bow for DA 1000**



**504816 DA 1000 spring,fitting, update**



**433018 DA 1200 plug set x10 f. holes**  
50 pcs for Ø6  
20 pcs for Ø4

## 3.2 DA 12xx wall inlet

### DA 12xx wall inlet



#### 526024 DA 1200 flap, 3 fixing points

Spare part for all DA 12xx wall inlets.



#### 560372 DA 1200/1911 operation kit

Spare part for all DA 12xx wall inlets.



#### 560192 DA 1200 operation kit

Spare part for all DA 12xx wall inlets.



#### 401349 All-purpose holder for pull rod

Spare part for all DA 12xx wall inlets.



#### 433903 DA 1200 short spri. 14.3x64.3

Spare part for all DA 12xx wall inlets.



#### 433904 DA 1200 long spring 14.3x91.7

Spare part for all DA 12xx wall inlets.



#### 433909 DA 1200 string + clip

Spare part for all DA 12xx wall inlets.

### DA 12xx wall inlet



**522940 Nylon string 3x650 mm**

Spare part for all DA 12xx wall inlets.



**522007 DA1200 Clamp for pull rod**

Spare part for all DA 12xx wall inlets.



**560195 DA 1200 operation set w. long U-shackle**

Spare part for all DA 12xx wall inlets.



**433932 DA 1200 nylon cord Ø3x950 incl. spring**

Spare part for all DA 12xx wall inlets.



**433112 DA 1200 short air dir. baffle**

Spare part for all DA 12xx wall inlets.



**433113 DA 1200 air direction baffle, long**

Spare part for all DA 12xx wall inlets.



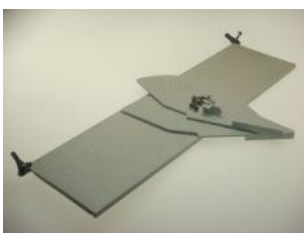
**526447 DA 1200 air direction baffle - mount kit**

Spare part for:

433112 DA 1200 air direction baffle, short

433113 DA 1200 air direction baffle, long

433114 DA 1200 air dir. baffle, long w. side pl



**433114 DA 1200 air dir. baffle, long w. side pl**

Spare part for all DA 12xx wall inlets.

### DA 12xx wall inlet



#### 433014 DA 1200 baffle plate

Spare part for all DA 12xx wall inlets.



#### 433905 DA 1200 lock spring Ø8x58

Spare part for all DA 1200 baffle plates.



#### 433906 DA 1200 open.spring Ø7,8x55

Spare part for all DA 1200 baffle plates.



#### 433907 DA 1200 open.spring Ø8,2x71

Spare part for all DA 1200 baffle plates.



#### 433911 DA 1200 angle brace for spring

Spare part for all DA 12xx wall inlets.



#### 413046 String clip 2-3 mm plastic

Spare part for all DA 12xx wall inlets.



#### 433039 DA 1200 extension rod 240 mm

Spare part for all DA 12xx wall inlets.



#### 433918 DA 1200 repair fitting w/oper. set, right

Spare part for all DA 12xx wall inlets.

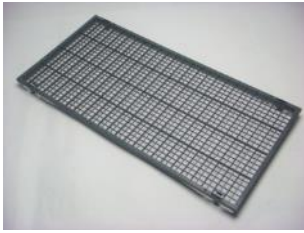


#### 433917 DA 1200 repair fitting w/oper. set, left

Spare part for all DA 12xx wall inlets.



### DA 12xx wall inlet



#### 433016 DA 1200 net, fine 10x10

Spare part for:

- 433120 DA 1220 wall inlet fine-meshed
- 433124 DA 1224 wall inlet fine-meshed
- 433129 DA 1229 wall inlet fine-meshed
- 433133DA 1233 wall inlet fine-meshed



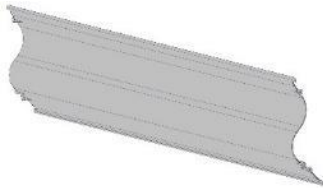
#### 433015 DA 1200 net coarse 65x20

Spare part for:

- 433020 DA 1220 wall inlet coarse-mesh
- 433024 DA 1224 wall inlet coarse-mesh
- 433029 DA 1229 wall inlet coarse-mesh
- 433033 DA 1233 wall inlet coarse-mesh



#### 433117 DA 1211/1911 mesh holder set f 25 inlets

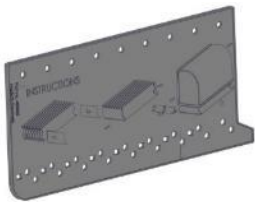


#### 433302 DA 1200 light trap louvre inlet cover

Spare part for all DA 1200 light trap.

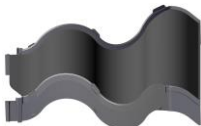


#### 526085 DA 1200/1911 fly screen lock, light trap



#### 433305 Spacer f. light trap inlet cover

Spare part for all DA 1200 light trap.



#### 522140 DA 1200 Light trap louvre



#### 522141 DA 1200 Right side closing light trap

**DA 12xx wall inlet**

**522142 DA 1200 Left side closing light trap**

**372175 Shim f/light trap 1140x750x30**



**433316 DA 1200 fly screen – basket 5 pieces**



**433138 DA 1200 hen net, hinged**



**502163 Bracket for hinged hen net**



**433018 DA 1200 plug set x10 f. holes**

50 pcs for Ø6

20 pcs for Ø4

### 3.3 DA 1211 flange inlet 11 cm

#### DA 1211 flange inlet 11 cm



**526024 DA 1200 flap, 3 fixing points**

Spare part for:

433011 DA 1211 flange inlet 11 cm



**526021 DA 1200 flap, transp., 3 fixing points**

Spare part for:

433160 DA 1211 flange inlet with transp. flap



**560372 DA 1200/1911 operation kit**

Spare part for all DA 12xx wall inlets.



**560192 DA 1200 operation kit**

Spare part for all DA 1211 flange inlets.



**433903 DA 1200 short spri. 14.3x64.3**

Spare part for all DA 1211 flange inlets.



**433904 DA 1200 long spring 14.3x91.7**

Spare part for all DA 1211 flange inlets.



**433025 DA 1200 set w.screws x10 f. mesh**

Spare part for all DA 1211 flange inlets.



**522007 DA1200 Clamp for pull rod**

Spare part for all DA 1211 flange inlets.

### DA 1211 flange inlet 11 cm



**560195 DA 1200 operation set w. long U-shackle**  
Spare part for all DA 1211 flange inlets.



**413046 String clip 2-3 mm plastic**  
Spare part for all DA 1211 flange inlets.



**433909 DA 1200 string + clip**  
Spare part for all DA 1211 flange inlets.



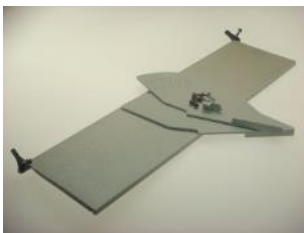
**522940 Nylon string 3x650 mm**  
Spare part for all DA 1211 flange inlets.



**433112 DA 1200 short air dir. baffle**  
Spare part for all DA 1211 flange inlets.



**526447 DA 1200 air direction baffle - mount kit**  
Spare part for:  
433112 DA 1200 air direction baffle, short  
433113 DA 1200 air direction baffle, long  
433114 DA 1200 air dir. baffle, long w. side pl



**433114 DA 1200 air dir. baffle, long w. side pl**  
Spare part for all DA 1211 flange inlets.



**433014 DA 1200 baffle plate**  
Spare part for all DA 1211 flange inlets.

### DA 1211 flange inlet 11 cm



**433905 DA 1200 lukkefjeder Ø8x58**  
Spare part for all DA 1200 baffle plates.



**433906 DA 1200 åbnefjeder Ø7,8x55**  
Spare part for all DA 1200 baffle plates.



**433907 DA 1200 open.spring 8mm,2x71**  
Spare part for all DA 1200 baffle plates.



**433911 DA 1200 angle brace for spring**  
Spare part for all DA 1211 flange inlets.



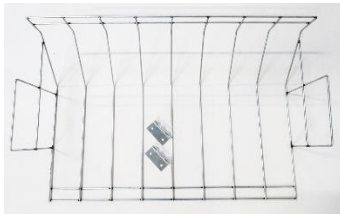
**433039 DA 1200 extension rod 240 mm**  
Spare part for all DA 1211 flange inlets.



**433117 DA 1211/1911 mesh holder set f 25 inlets**



**433316 DA 1200 fly screen – basket 5 pieces**



**433138 DA 1200 bird net, hinged**



**502163 Bracket for hinged bird net**

**DA 1211 flange inlet 11 cm****433018 DA 1200 plug set x10 f. holes**

50 pcs for Ø6

20 pcs for Ø4

### 3.4 DA 1211B flange inlet 11 cm

#### DA 1211B flange inlet 11 cm



**526057 DA 1200 flap, 1 fixing point, white**  
Spare part for all DA 1211B flange inlets.



**526021 DA 1200 flap,transp., 3 fixing points**  
Spare part for:  
S433008A DA 1211B flange inlet 11 cm  
433160 DA 1211 flange inlet with transp. flap



**560194 DA 1200B operation kit**  
Spare part for all DA 1211B flange inlets.



**433913 DA 1211B short spring Ø12x64.3**  
Spare part for all DA 1211B flange inlets.



**433914 DA 1211B long spring Ø12x91.7**  
Spare part for all DA 1211B flange inlets.



**433039 DA 1200 extension rod 240 mm**  
Spare part for all DA 1211B flange inlets.



**433043 DA 1211/1911 screw kit flange, 10/5 set**  
Spare part for all DA 1211B flange inlets.



**433025 DA 1200/1900 set/screws f. net**  
Spare part for all DA 1211B flange inlets.



### DA 1211B flange inlet 11 cm



**433054 DA 1211 kit w.screws x 10 f.ceiling mounting**  
Spare part for all DA 1211B flange inlets.



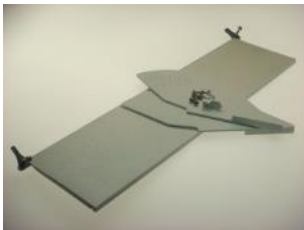
**433112 DA 1200 short air dir. baffle**  
Spare part for all DA 1211B flange inlets.



**433113 DA 1200 air direction baffle, long**  
Spare part for all DA 1211B flange inlets.



**526447 DA 1200 air direction baffle - mount kit**  
Spare part for:  
433112 DA 1200 air direction baffle, short  
433113 DA 1200 air direction baffle, long  
433114 DA 1200 air dir. baffle, long w. side pl



**433114 Luftretningspl. lang m. sidepl.**  
Spare part for all DA 1211B flange inlets.



**433014 DA 1200 baffle plate**  
Spare part for all DA 1211B flange inlets.



**522007 DA 1200 Clamp for pull rod**  
Spare part for all DA 1211B flange inlets.



**433911 DA 1200 angle brace for spring**  
Spare part for all DA 1211B flange inlets.



**413046 String clip 2-3 mm plastic**  
Spare part for all DA 1211B flange inlets.



**DA 1211B flange inlet 11 cm**

433117 DA 1211/1911 mesh holder set f 25 inlets



433316 DA 1200 fly screen – basket 5 pieces



433138 DA 1200 bird net, hinged



502163 Bracket for hinged bird net



433018 DA 1200 plug set x10 f. holes

50 pcs for Ø6

20 pcs for Ø4

### 3.5 DA 1911 flange inlet

#### DA 1911 flange inlet



##### 526401 DA 1911 shutter, 3 point

Spare part for:

433161 DA 1911 flange inlet 11cm

433169 DA 1911 flange inlet, 11cm, coarse mesh

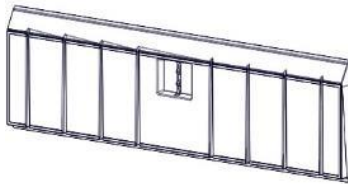
433131 DA 1911 HP flange inlet 11cm coarse mesh



##### 526421 DA 1911B shutter, 1 point, white

Spare part for:

433165 DA 1911B flange inlet 11 cm



##### 526422 DA 1911B ex. accessories flap white

Spare part for:

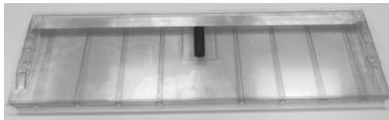
433165 DA 1911B flange inlet 11 cm



##### 526423 DA 1911B plate for flap white

Spare part for:

433165 DA 1911B flange inlet 11 cm



##### 526439 DA 1911 flap, 3 point, transparent

Spare part for:

433130 DA 1911 flange inlet w/transparent flap



##### 560372 DA 1200/1911 operation kit

Spare part for all DA 12xx wall inlets.



##### 560192 DA 1200 operation kit

### DA 1911 flange inlet



**401349** All-purpose holder for pull rod



**433164** DA 1911 net, coarse 65x20mm



**433117** DA 1211/1911 mesh holder set f 25 inlets



**433903** DA 1200 short spri. 14.3x64.3



**433904** DA 1200 long spring 14.3x91.7



**433901** DA 1911 HP spring  $\varnothing$ 14,3x64,3

Spare part for:

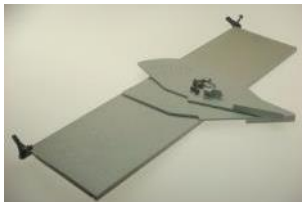
433131 DA 1911 HP flange inlet, 11cm, coarse mesh



**433902** DA 1911 HP spring  $\varnothing$ 14,3x91,7

Spare part for:

433131 DA 1911 HP flange inlet, 11cm, coarse mesh



**433172** DA 1911 air dir. baffle long w. side pl.



**433173** DA 1911 air direction baffle - short

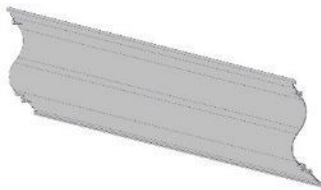
### DA 1911 flange inlet



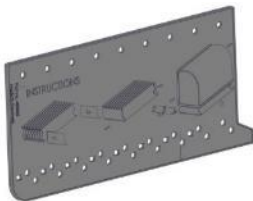
526443 DA 1911 air direction baffle - mount.set



433043 DA 1211/1911 screw kit flange, 10/5 set



433303 DA 1900 light trap louvre inlet cover  
Spare part for DA 1900 light trap.



526085 DA 1200/1911 fly screen lock, light trap

433305 Spacer f. light trap inlet cover  
Spare part for DA 1900 light trap.

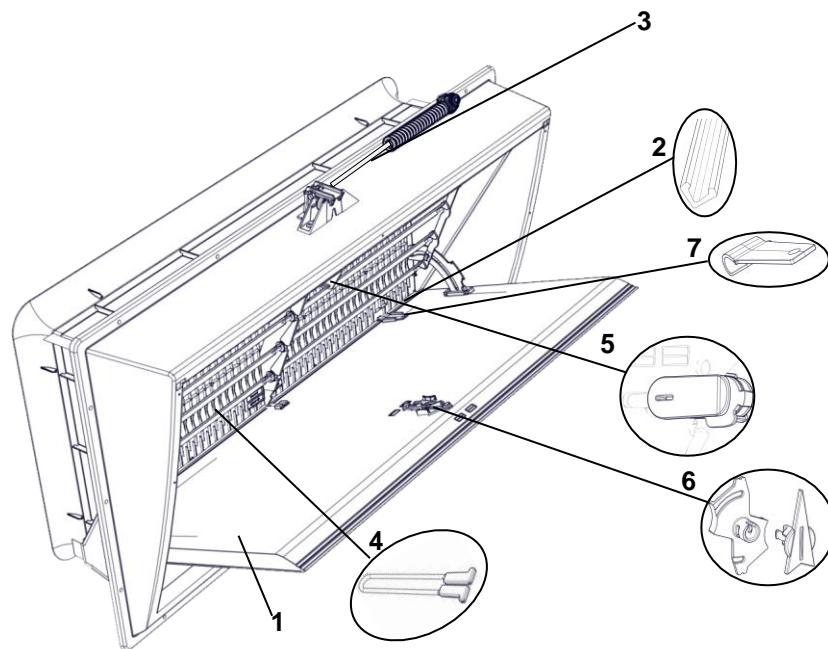


433318 DA 1911 fly screen – basket 5 pieces



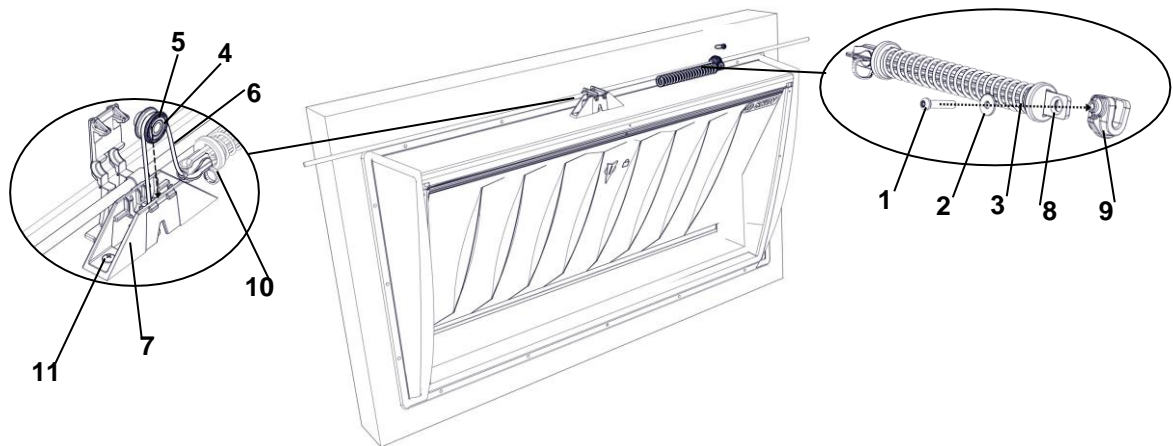
433018 DA 1200 plug set x10 f. holes  
50 pcs for Ø6  
20 pcs for Ø4

### 3.6 DA 3800 flange inlet



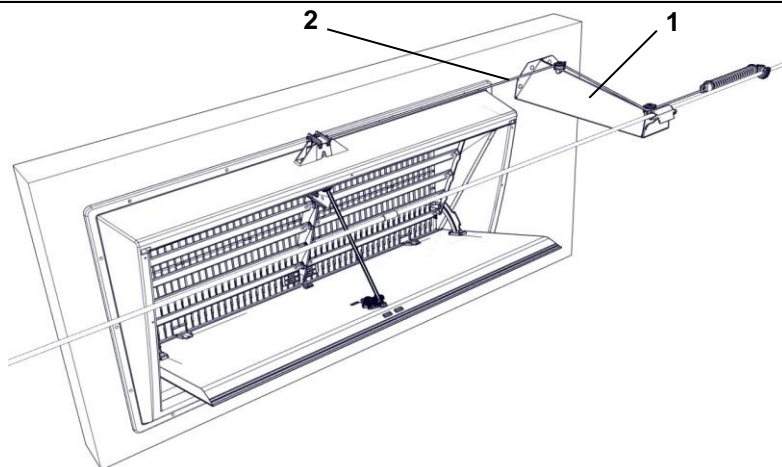
Pos.	Quantity	Item no.	Description
1	1	433380	DA 3800 flap complete
2	1	531246	DA 3800 sealing for flap
3	1	522933	Nylon cord $\varnothing 3 \times 1060$ mm
4		433378	DA 3800 safety strip for flap 10 pcs.
	10		DA 3800 safety strip for flap
5	1	433379	DA 3800 differential switch 5 pcs.
6		433377	DA 3800 diff. opening, kit
	1		DA 3800 diff. opening, selector
	1		DA 3800 diff. opening, indicator
		433376	DA 3800 hinge for flap 2 pcs.
7	2		DA 3800 hinge for flap
		560352	DA/CL 3800 mounting kit f/flap complete
7	2		DA 3800 hinge for flap
2	1		DA 3800 sealing for flap
4	1		DA 3800 safety strip for flap

### DA 3800 operation kit



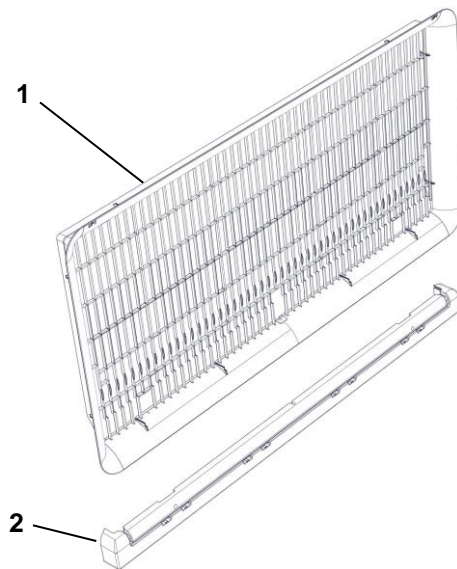
Pos.	Quantity	Item no.	Description
	1	560334	DA 3800 operation kit
1	1		Tapp. screw 4.8x32 pan TX25 A2 ISO14585C
2	1		Washer $\varnothing 4.3/\varnothing 15 \times 1$ A2
3	1		DA 3800 pressure spring $\varnothing 20 \times 230 \times 2.0$ A2
4	1		Tunnel inlet, bushing L=17.5 A2
5	1		DA 3800 wheel $\varnothing 12/18/28 \times 12.4$
6	1		Nylon cord $\varnothing 3 \times 1060$ mm
7	1		DA 3800 bracket for pullrod
8	2		DA 3800 spring unit
9	1		DA 3800 Clips for pullrod
10	1		DA 3800 quick release for cord
11	2		PT screw 5x16 flange TX25 A2 spec.

### DA 3800 extension rod 40 cm



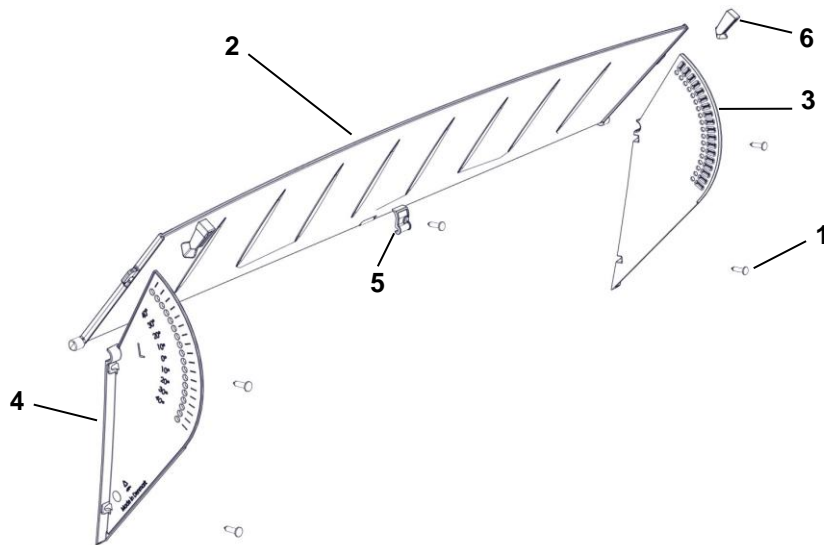
Pos	Quantity	Item no.	Description
1	1	433359	DA 3800 extension rod 40 cm
2	1		Nylon string $\varnothing 3 \times 1850$

**DA 3800 inlet funnel**



Pos	Quantity	Item no.	Description
		433352	DA 3800 inlet funnel
1	1		DA 3800 inlet funnel, raw
2	1		DA 3800 EPS for funnel

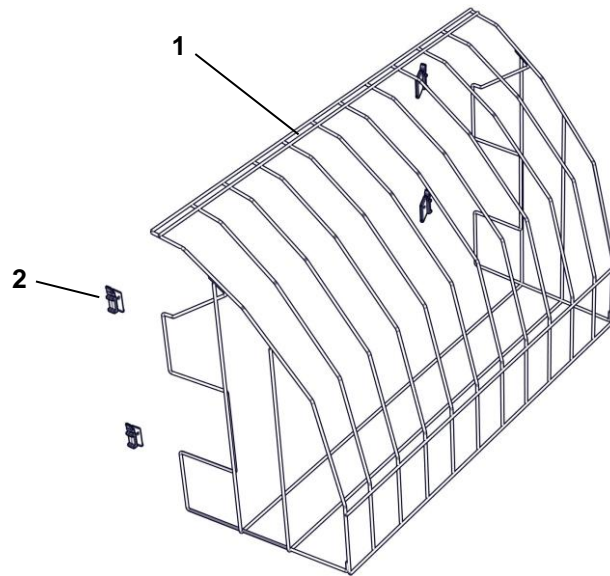
**DA 3800 air direction baffle**



Pos	Quantity	Item no.	Description
	1	433355	DA 3800 air direction baffle
1	5		PT screw 5x16 flange TX25 A2 spec.
2	1		DA 3800 air direction baffle, raw
3	1		DA 3800 side plate L f/air direct.baffle
4	1		DA 3800 side plate R f/air dir. baffle
5	1		DA 3800 holder middle f/air direc.baffle
6	2		DA 3800 stop arrow f/air dir. baffle

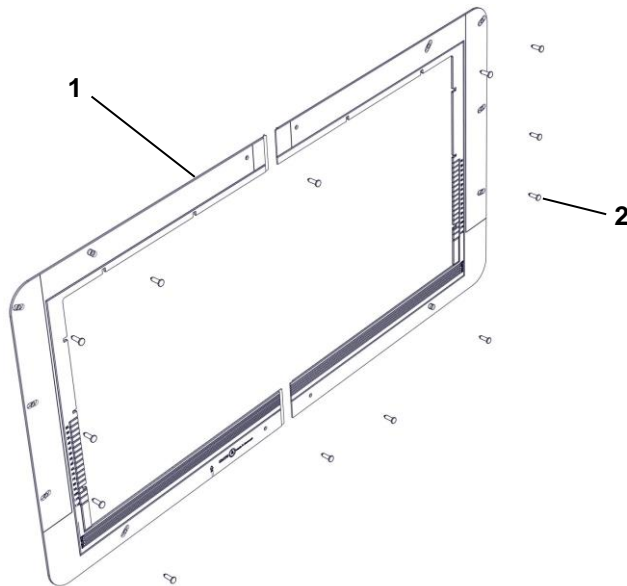


## DA 3800 hen net



Pos	Quantity	Item no.	Description
		433360	DA 3800 hen net
1	1		DA 3800 hen net galvanized, raw
2	4		DA 3800 bracket for hen net

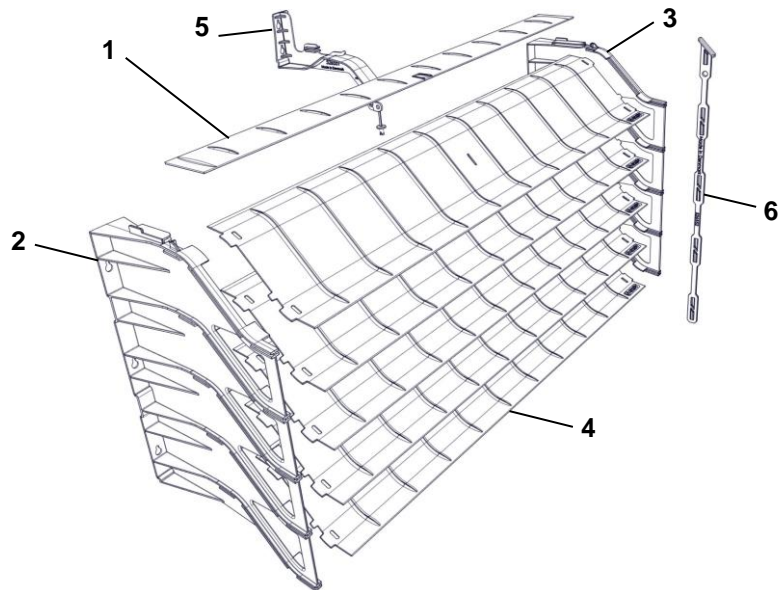
## DA 3800 outside flange



Pos	Quantity	Item no.	Description
		433358	DA 3800 outside flange
1	2		DA 3800 outside flange f/wall inlet half
		433375	DA 3800 screw kit f/outside flange
2	14		Tapp. screw 5x20 pan TX25 ZnNi spec.
3	14		Washer $\varnothing 5.3/\varnothing 15 \times 1.2$ A2 DIN9021



## DA 3800 screen



Pos	Quantity	Item no.	Description
		433364	DA 3800 screen
1	1		DA 3800 top plate for screen
2	1		DA 3800 R side for screen
3	1		DA 3800 L side for screen
4	5		DA 3800 louver for screen
5	1		DA 3800 bracket for screen
6	1		DA 3800 support for screen

## Holder for pull rod/cooling pipe



Pos	Quantity	Item no.	Description
1	1	433368	DA 3800 holder for pull rod/cooling pipe
		437689	Wall lock cool pipe 120 sandw/brick/conc
2	4		Tapp. screw 5x16 flange TX25 ZnNi spec.
2	4		Chipboard screw 5x70 pan TX25 A2
3	2		Flange nut w/serrations M6 A2 DIN6923
4	2		Machine screw M6x30 cyl Allen A2 DIN912
5	4		Rawplug 6 mm
6	1		Bracket for wall lock 120 mm
7	2		Single pipe hanger Ø12 mm

### 3.7 DA 1540 ceiling inlet

#### DA 1540 ceiling inlet



#### 401351 DA 1540 inlet flap complete

Spare part for:

- 401350 DA 1540 ceiling inlet
- 401370 DA 1540 HP ceiling inlet
- 401355 DA 1540 chill inlet



#### 401353 DA 1540 spring

Spare part for:

- 401350 DA 1540 ceiling inlet



#### 401358 DA 1540 HP spring

Spare part for:

- 401370 DA 1540 HP ceiling inlet



#### 401356 DA 1540 chill inlet spring

Spare part for:

- 401355 DA 1540 chill inlet



#### 401354 DA 1540 kit for toggle joint//hinge

Spare part for:

- 401350 DA 1540 ceiling inlet



#### 401363 DA 1540 HP kit for toggle joint/hinge

Spare part for:

- 401370 DA 1540 HP ceiling inlet



#### 401357 DA 1540 chill inlet toggle joint/hinge

Spare part for:

- 401355 DA 1540 chill inlet



#### 526187 DA 1540 hinge for toggle joint

Spare part for:

- 401350 DA 1540 ceiling inlet
- 401370 DA 1540 HP ceiling inlet
- 401355 DA 1540 chill inlet

### DA 1540 ceiling inlet



#### 401352 DA 1540 string with hook

Spare part for:

- 401350 DA 1540 ceiling inlet
- 401370 DA 1540 HP ceiling inlet



#### 401349 All-purpose holder for pull rod

Spare part for:

- 401350 DA 1540 ceiling inlet
- 401370 DA 1540 HP ceiling inlet
- 401355 DA 1540 chill inlet



#### 560237 Mounting kit for DA 1540, screws

Spare part for:

- 401350 DA 1540 ceiling inlet
- 401370 DA 1540 HP ceiling inlet
- 401355 DA 1540 chill inlet



#### 526195 DA 1540 Safety clip for toggle joint

Spare part for:

- 401350 DA 1540 ceiling inlet
- 401370 DA 1540 HP ceiling inlet
- 401355 DA 1540 chill inlet



#### 560238 DA 1540, holder and clips, mounting set

Spare part for:

- 401350 DA 1540 ceiling inlet
- 401370 DA 1540 HP ceiling inlet
- 401355 DA 1540 chill inlet



#### 401364 DA 1540/1800 insert module

Spare part for:

- 401350 DA 1540 ceiling inlet
- 401370 DA 1540 HP ceiling inlet
- 401355 DA 1540 chill inlet

### 3.8 DA 1500 ceiling inlet

#### DA 1500 ceiling inlet



401326 DA 1500 carrying arm complete



401327 DA 1500 wheel with axle



401333 DA 1500/1800 axle set Ø6x54,5



401324 DA 1500 flap complete



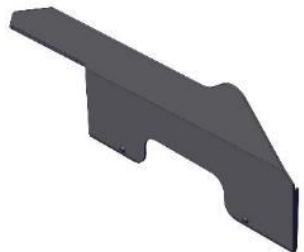
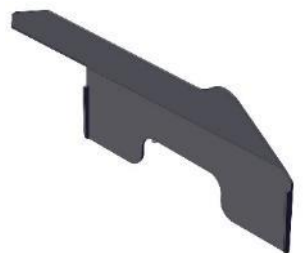
401325 DA 1500 pulling string w. clip



522277 DA 1500/1800 clips for pull rod



401338 DA 1500 pulling string w. wire lock

**DA 1500 ceiling inlet****401332 DA 1500/1800 arm for flap complete****401336 DA 1500 spring Ø14 x 166 x 1.4****401335 DA 1500/1800 holder for pullrod****437480 DA 1500/1800 pipe holder w. adapt. -0.5m****437482 DA 1500/1800 pipe holder****526158 DA 1500/DA 1800 adapter f. pipe holder****526163 DA 1500 side plate, marked L****526164 DA 1500 side plate, marked R**

### 3.9 DA 1800 ceiling inlet

#### DA 1800 ceiling inlet

401329 DA 1800 flap complete



401340 DA 1800 pulling string w. clip



522277 DA 1500/1800 clips for pull rod



401339 DA 1800 pulling string w. wire lock



401333 DA 1500/1800 axle set Ø6x54,5



401332 DA 1500/1800 arm for flap complete



401331 DA 1800 clamp f string and pull rod comp



**DA 1800 ceiling inlet**

437480 DA 1500/1800 pipe holder w. adapt. -0.5m



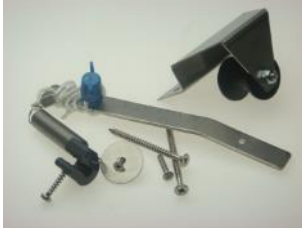
437482 DA 1500/1800 pipe holder



526158 DA 1500/DA 1800 adapter f. pipe holder

### 3.10 DA 30 ceiling inlet

#### DA 30 ceiling inlet



#### 401313 DA 30S reg. set, pull rod

Spare part for:

- 401305 DA 30S ceiling inlet 71 x 40 cm
- 401300 DA 30K ceiling inlet 60 x 40 cm



#### 401312 DA 30S reg. set, wire

Spare part for:

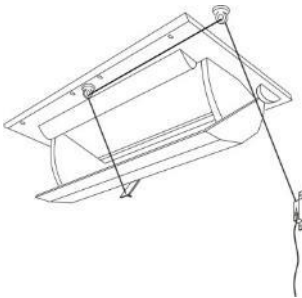
- 401305 DA 30S ceiling inlet 71 x 40 cm



#### 401314 DA 30S AIC

Spare part for:

- 401305 DA 30S ceiling inlet 71 x 40 cm
- 401300 DA 30K ceiling inlet 60 x 40 cm



#### 401311 DA 30S single regulation set

Spare part for:

- 401305 DA 30S ceiling inlet 71 x 40 cm
- 401300 DA 30K ceiling inlet 60 x 40 cm



#### 415033 Coil spring Ø30 x 300 mm stainless

Spare part for:

- 401305 DA 30S ceiling inlet 71 x 40 cm
- 401300 DA 30K ceiling inlet 60 x 40 cm



#### 522006 Clamp for 8 mm pull rod with/screw

Spare part for:

- 401305 DA 30S ceiling inlet 71 x 40 cm
- 401300 DA 30K ceiling inlet 60 x 40 cm



#### 522035 Eye joiner with slit

Spare part for:

- 401305 DA 30S ceiling inlet 71 x 40 cm
- 401300 DA 30K ceiling inlet 60 x 40 cm



**DA 30 ceiling inlet****504903 Spring for diff opening DA 30S**

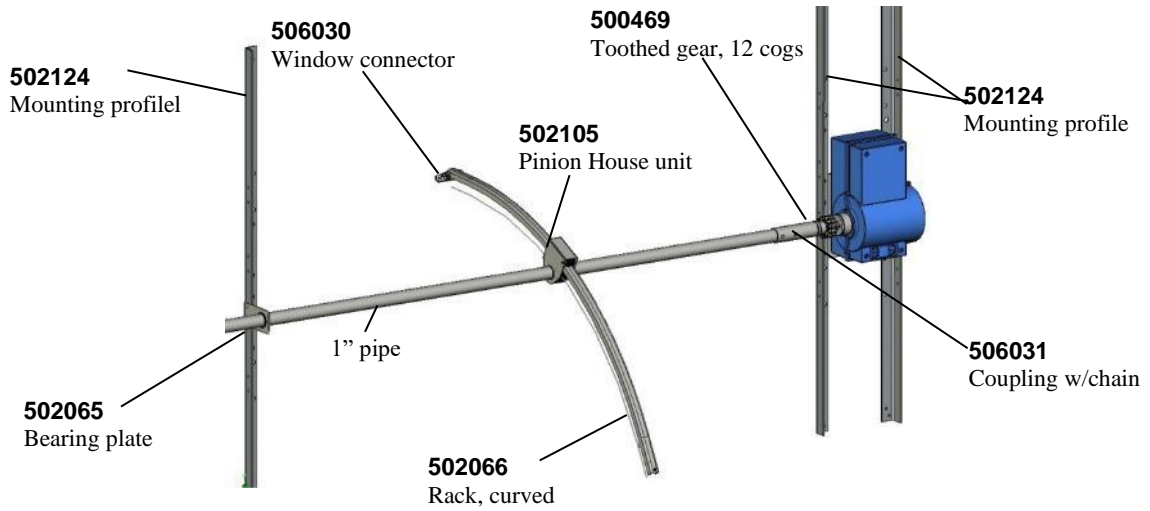
Spare part for:

401305 DA 30S ceiling inlet 71 x 40 cm

401300 DA 30K ceiling inlet 60 x 40 cm

### 3.11 Rack and Pinion

#### Rack & Pinion with DA 75



#### R&P motor set DA 75 24V



432064 DA 75 R&P tunnel door motor, 24V

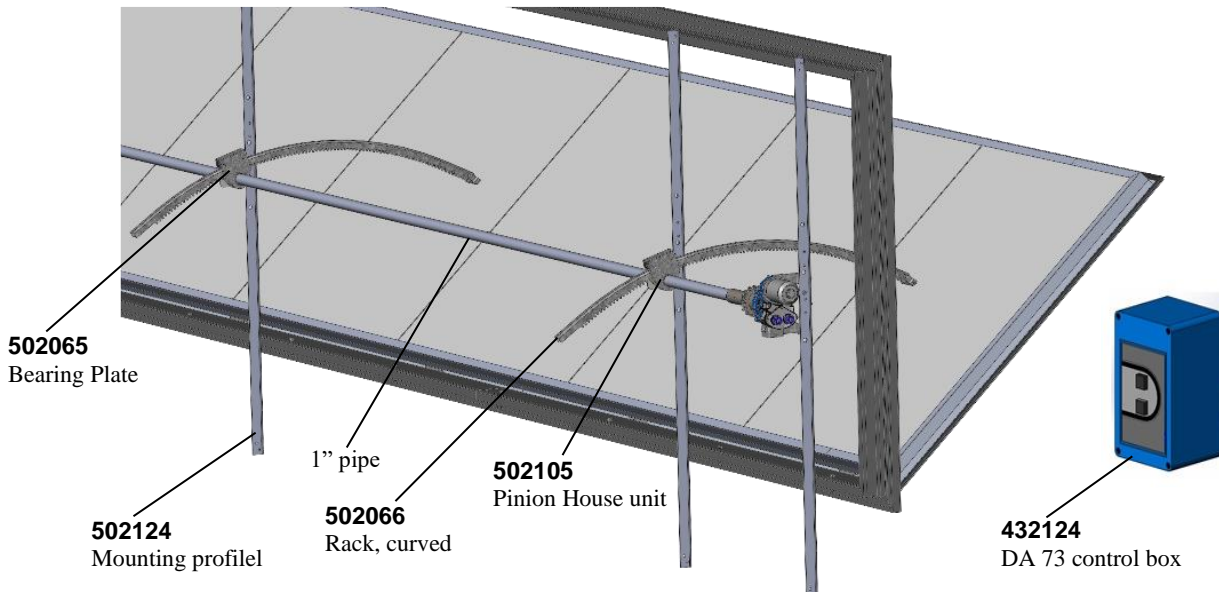
#### R&P motor set DA 75 230V



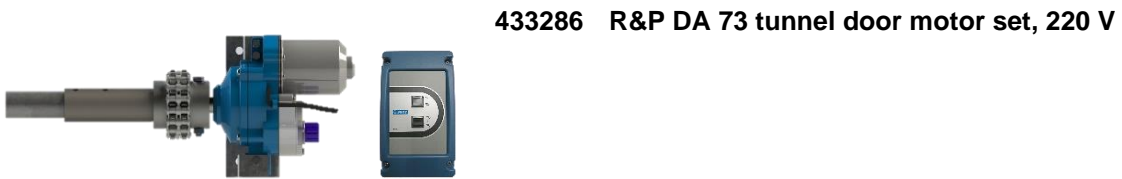
432065 DA 75 R&P tunnel door motor, 230V

### 3.10 Rack and Pinion

#### Rack & Pinion with DA 73



#### R&P motor set DA 73 220 V



### 3.11.1 Rack & Pinion with DA 75

#### Rack & Pinion with DA 75



560068 R&P mounting set DA 75, 24/230V



523005 Rubber profile f. alu door profile Dørprofil



502105 Pinion House unit

### 3.11.2 R&P Motor Set DA 75 24V

#### R&P Motor set DA 75 24V



**432934 DA 75 repair set f. DA 75A-3 and DA75A-6**

Spare part for:

432036 DA 75A-3 winch motor 24V

432037 DA 75A-6 winch motor 24V

432041 DA 75A-12 winch motor 24 V



**432932 DA 75 gearwheel f. gear motor 12/45**

Spare part for all DA 75 models.



**345440 Felt packing for DA 75**

Spare part for all DA 75 models.



**432961 DA 75A-6 plastic gear**

Spare part for:

432037 DA 75A-6 winch motor 24V



**432928 DA 75A cover complet, 24V**

Spare part for all DA 75A 24V models.



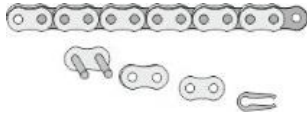
**432998 DA 75 screw kit for cover 4 pcs.**

Spare part for all DA 75A 24V models.

### R&P Motor set DA 75 24V



**500469** Toothed gear, 12 cogs



**520177** 1" chain for rack and pinion



**432089** Plug for drain valve  
Spare part for all DA 75 models.



**432953** DA 75 circuit board 24V R  
Spare part for all DA 75 24V R models.



**432924** DA 75 switch 24V/230V  
Spare part for all DA 75 24V R models.



**432910** DA 75 motor brushes  
Spare part for all DA 75 24V R models.



**432919** DA 75X-3&6 gear motor 24V  
Spare part for:  
432036 DA 75A-3 winch motor 24V  
432037 DA 75A-6 winch motor 24V  
432041 DA 75A-12 winch motor 24 V

### 3.11.3 R&P Motor Set DA 75 230V

#### R&P Motorsæt DA 75 230V

**432934 DA 75 repair set f. DA 75A-3 and DA75A-6**

Spare part for:

432036 DA 75A-3 winch motor 230V

432037 DA 75A-6 winch motor 230V

432041 DA 75A-12 winch motor 230 V

**432932 DA 75 gearwheel f. gear motor 12/45**

Spare part for all DA 75 models.

**345440 Felt packing for DA 75**

Spare part for all DA 75 models.

**432961 DA 75A-6 plastic gear**

Spare part for:

432037 DA 75A-6 winch motor 24V

**432929 DA 75A cover complet, 230V**

Spare part for all DA 75A 230V models.

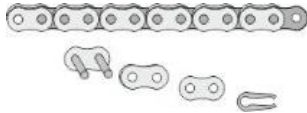
**432998 DA 75 screw kit for cover 4 pcs.**

Spare part for all DA 75A 230V models.

### R&P Motorsæt DA 75 230V



**500469** Toothed gear, 12 cogs



**520177** 1" chain for rack and pinion



**432089** Plug for drain valve  
Spare part for all DA 75 models.



**432920** DA 75 circuit board 230V  
Spare part for all DA 75 230V R models.



**229305** M-capacitor 3mICroF./440V



**432924** DA 75 switch 24V/230V  
Spare part for all DA 75 models.



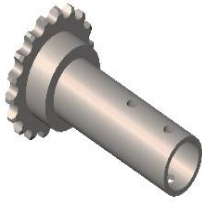
**432917** DA 75X-3&6 gear motor 230V  
Spare part for:  
432036 DA 75A-3 winch motor 230V  
432037 DA 75A-6 winch motor 230V  
432041DA 75A-12 winch motor 230 V



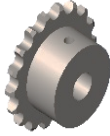
### 3.11.4 Rack & Pinion with DA 73

#### Rack & Pinion with DA 73

502068 Chain bolt coupling,GMA750-D-16F



524074 Sprocket motor GMA750-D-16C



502070 Chain&chain connector



502069 Base motor, Q235A steel plate

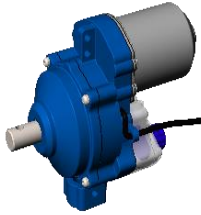


502065 Bearing Plate B1 " B87/L120



### 3.11.5 R&P Motor Set DA 73 220 V

#### R&P Motor Set DA 73 220 V



**524073 Fenglong motor 220V 100W for DA 73**

Spare part for:

433286 R&P DA 73 tunnel door motor set, 220 V



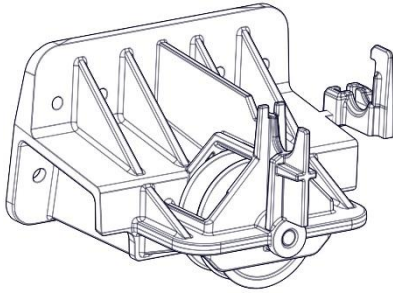
**432124 DA 73 control box 220V AC**

Spare part for:

433286 R&P DA 73 tunnel door motor set, 220 V

### 3.12 DA 17K tunnel inlet

#### DA 17K tunnel inlet



433710 Wall inlet bracket for pull rod



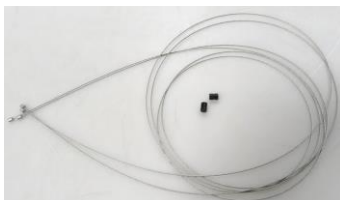
433711 Tunnel inlet, support bracket



560856 DA 17K Tunnel inlet, mounting part single



433715 Tunnel inlet, kit for single pull

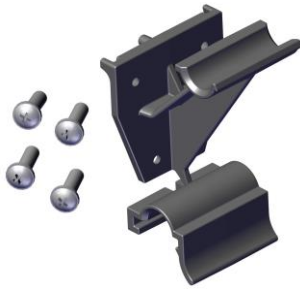


526493 Tunnel inlet string set 5m



526494 Tunnel inlet string set 9m

### DA 17K tunnel inlet



**560861 Tunnel inlet, bracket f/pull rod 10 pcs.**

Spare part for:

433716 DA 17K tunnel inlet, highly ins. outside

433717 DA 17K tunnel inlet, semi ins. outside



**560860 DA 17K tunnel inlet outside mounting set**

Spare part for:

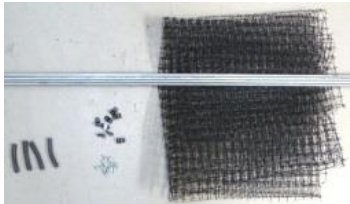
433716 DA 17K tunnel inlet, highly ins. outside

433717 DA 17K tunnel inlet, semi ins. outside

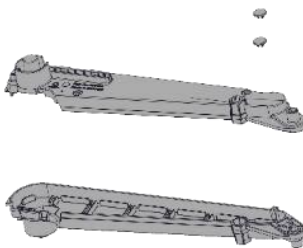


**522953 Nylon string ø5x5100 mm white/red**

Used for outside mounting.



**433703 DA 17K Tunnel inlet, bird mesh**



**433705 DA 17K update kit for end piece**



**526453 Tunnel inlet, cover plate for frame**



**526477 Tunnel inlet, frame cover, with lock, Right**

### DA 17K tunnel inlet



526478 Tunnel inlet, frame cover, with lock, Left



520091 Tunnel inlet, spring for flap, Right



520092 Tunnel inlet, spring for flap, Left



415318 Tunnel inlet, reel  $\varnothing 26/\varnothing 35 \times 12.4$  hul  $\varnothing 12$



531256 DA17K Tunnel inlet, sealing profile 1414mm



531293 DA17K Tunnel inlet, sealing profile 1378mm



531294 DA 17K Tunnel inlet, bottom edge 1353mm



504706 Tunnel inlet, sleeve L=31,3, A2



526458 Tunnel inlet, coupling rod



526474 Tunnel inlet, toggle joint, Right



520095 Tunnel inlet, retain.spring f.toggle j, Right

### DA 17K tunnel inlet



526475 Tunnel inlet, toggle joint, Left



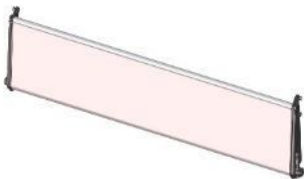
520096 Tunnel inlet, retin.spring f.toggle j, Left



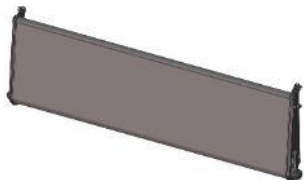
526476 Tunnel inlet, set of reels f. frame



522007 DA 1200 Clamp for pull rod



526480 DA 17K flap w. end p. highly insul.white



526481 DA 17K flap w. end p. semi-insulat. grey



526449 Tunnel inlet, clips for hinge joint  
Order two per DA 17K flap.

**DA 17K tunnel inlet****560365 DA 10K/17K mounting kit f/insulation plate**

Spare part for:

433720 DA 17K insulation plate

**560366 DA 10K/17K sealing kit, insulation plate**

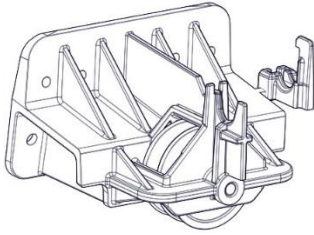
Spare part for:

433720 DA 17K insulation plate

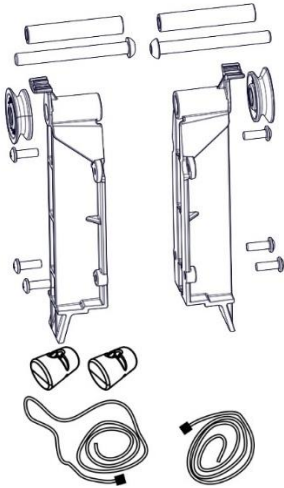
**433721 Tunnel inlet, driving pin kit for flap**

### 3.13 DA 10K tunnel inlet

#### DA 10K tunnel inlet



433710 Wall inlet bracket for pull rod



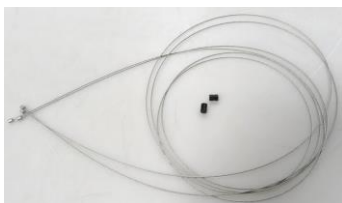
433711 Tunnel inlet, support bracket



560858 DA 10K Tunnel inlet, mounting part singl



433715 Tunnel inlet, kit for single pull



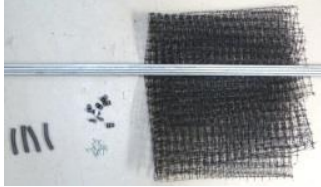
526493 Tunnel inlet string set 5m



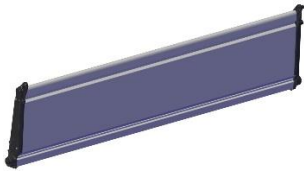
### DA 10K tunnel inlet



526494 Tunnel inlet string set 9m



433709 DA 10K Tunnel Inlet, bird mesh



526490 DA 10K flap w/ends, highly insulated white



526491 DA 10K flap w/ends, semi-insulated grey



526492 DA 10K flap w/ends, transparent



504706 Tunnel inlet, bushing L=31.3, A2



526458 Tunnel inlet, coupling rod



526474 Tunnel inlet, toggle joint, Right



520095 Tunnel inlet, retain.spring f.toggle j, Right



526475 Tunnel inlet, toggle joint, Left

### DA 10K tunnel inlet



**520096** Tunnel inlet, retin.spring f.toggle j, Left



**526476** Tunnel inlet, set of reels f. frame



**560365** DA 10K/17K mounting kit f/insulation plate

Spare part for:

433719 DA 10K insulation plate



**560366** DA 10K/17K sealing kit, insulation plate

Spare part for:

433719 DA 10K insulation plate



**433721** Tunnel inlet, driving pin kit for flap

### 3.14 Tunnel door light

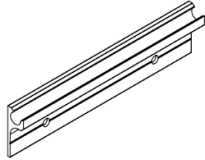
#### Tunnel door light



- 432037 DA 75A-6 winch motor 24V  
432034 DA 75A-6 winch motor 230V



- 432117 DA 175-600 actuator 230V



- 433277 Tunnel door Light lock rail per 3m



- 413109 Pull rod M8x5500mm galv incl. sleeve



- 433271 Tunnel door light mounting kit per 1.3m



- 401332 DA 1500/1800 arm for flap complete



- 522048 DA 1200B line and pull rod clamp

**Tunnel door light**

522007 DA 1200 Clamp for pull rod



522931 Nylon string  $\varnothing$ 3x1500 mm

## 3.15 DA 40

## DA 40



407570 Tightening strap 650 ss



433420 Tension strap, plain 650 ss



434212 DA 600 swivel shutter black



432056 Universal kit f. plastic swivel shutter



409154 DA 40 ECT 632-6 fan FF 230V

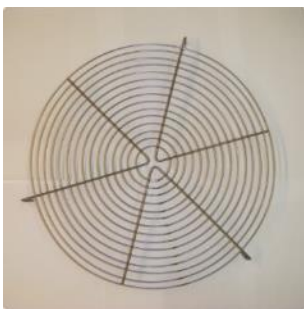


445009 DA 40-2A fan 230 V

The product is being phased out.

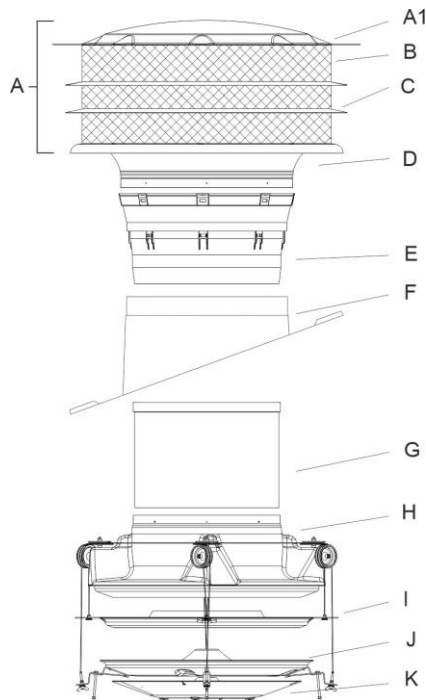
Alternative product is **409154 DA 40 ECT 632-6 fan FF 230V.**

**DA 40****775081 DA 600-2A motor 230V 0.22 w. condensator****525051 Fan blade DA 40-1F 625/10/50****229313 M-capacitor 10mF****445970 DA 600 LPC-11-2 drive incl kit****445939 DA 600 LPC A fan wo/cont. 230V1 50/60Hz****525042 DA 600 impeller 42****522344 Spline for DA 600 LPC motor**

**DA 40****520255 DA 600 LPC-11/12/13 fan suspension****445923 DA 600 LPC motor complete 0.75kW 3x230V****433406 DA 40A recirculation motor 230V 50Hz****524991 Fan wing 305/3-3/40/PPG****520008 Bottom screen ss DA 40**

## 3.16 DA 50-650

## DA 50-650



**A 433474 DA 50-650 roof cap complete, grey**

**A1 433475 DA 50-650 roof cap, grey**

**B 433473 DA 50-650 mesh**

**C 433492 DA 50-650 rain screen for roof cap, grey**

**D 433472 DA 50-650 bell mouth, grey**

**E 434431 DA 600 roof duct grey**

**F 434040 DA 600 roof sheet,side,black**

**G 434481 DA 600 duct 500 mm grey**

**H 433446 DA 50-650 funnel tube complete, grey**

**I 433457 DA 50-650 intermediate plate 1, grey**

**J 433456 DA 50-650 bottom plate, grey**

**K 433502 DA 50-650 recirculation fan, grey**



**433496 Pulley suspen. f. pull rod 0.3m -ceiling**

**433497 Pulley suspen. f. pull rod 1.5m -ceiling**

Spare part for:

433474 DA 50-650 roof cap complete, grey



**433502 DA 50-650 recirculation fan, grey**

**433504 DA 50-650 recirculation fan, black**

Spare part for:

433474 DA 50-650 roof cap complete, grey



**524026 DA 50 recirkulation fan, raw**



**433456 DA 50-650 bottom plate, grey**

Spare part for:

433474 DA 50-650 roof cap complete, grey



**DA 50-650**

**560034** Adjustment fixture f. DA 50 bott.pl



**433446** DA 50-650 funnel tube complete, grey

Spare part for:

433474 DA 50-650 roof cap complete, grey



**433927** DA 50-650 pair of rollers



**433923** DA 50 suspension f. mix. fan compl. set



**560032** Susp. cord f. DA 50 middle plate1



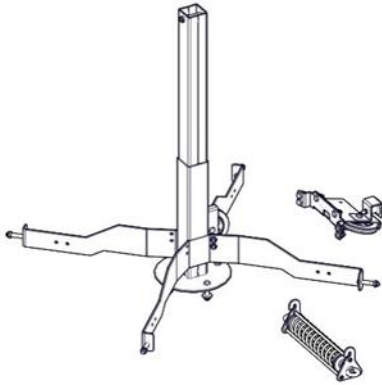
**560033** Mounting set for DA 50



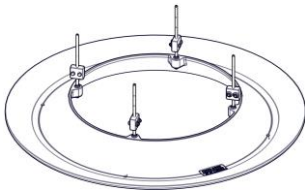
**433928** DA 50-650 control wire complete

### 3.17 DA 60-820

#### DA 60-820



**433519 DA 60-920 drain Free Flow, accessories**  
Spare part also for DA 60-820.



**433521 DA 60-920 intermediate plate, black**  
Spare part also for DA 60-820.



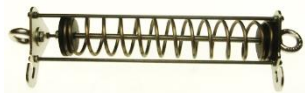
**433522 DA 60-920 recirculation fan, black**  
Spare part also for DA 60-820.



**524051 DA 60 Recirculation fan complete**  
Spare part also for DA 60-820.



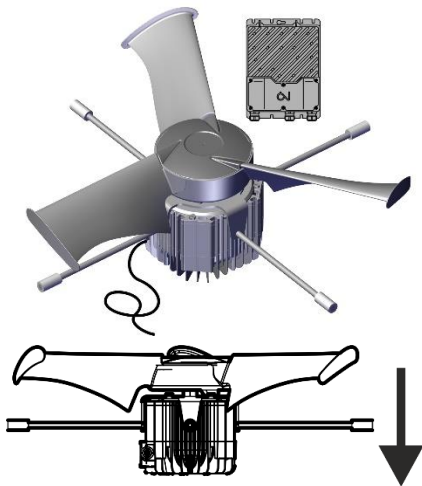
**434165 DA 920 fitting for wire suspension**  
Spare part also for DA 60-820.



**560275 DA 60 safety spring**

**DA 60-820**

**445038 DA 820-12 LPC vent. UV 1x230 V 50/60 Hz**  
Spare part for all DA 60-820.



**524063 DA 820 PM motor LPC D2**



**445978 DA 820-12 LPC drive 1x230V 50/60Hz**



**445981 DA 820 PM motor cable 230V LPC 2m**



**445983 DA 820 PM motor cable 230V LPC 5 m**

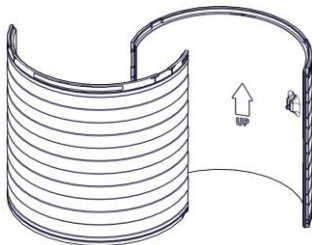


**DA 60-820**

**525021 DA 820 fan blade 50°**

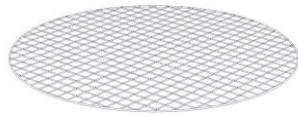


**520259 DA 820 LPC fan suspension**



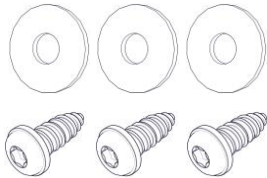
**433467 DA 60-820 insulation duct 1000 mm black**

**433468 DA 60-820 insulation duct 1500 mm black**

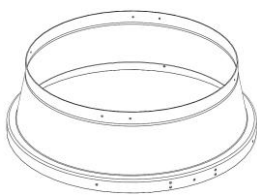


**433466 DA 60-820 net for attic**

Including 560362 DA 60-820 mounting kit for net

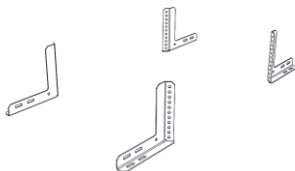


**560362 DA 60-820 mounting kit for net**



**433469 DA 60-820 adapter black**

Is used at the transition between DA 820 duct and DA 60-920 exhaust.



**433465 DA 60-820 anchorage for duct**



**512084 DA 60-820 rain screen gray**

**512184 DA 60-820 rain screen black**

**DA 60-820**

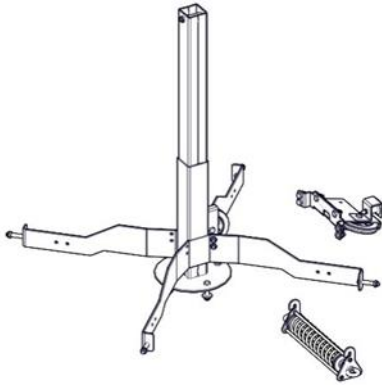


**502166 DA 60-820 bracket for roof cap**  
Order 8 per roof cap.

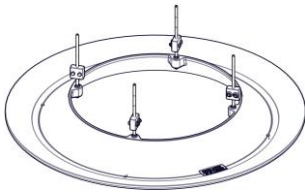
### 3.18 DA 60-920

#### DA 60-920

433519 DA 60-920 drain Free Flow, accessories



433521 DA 60-920 intermediate plate, black



433522 DA 60-920 recirculation fan, black



513032 DA 60-820/920 Intermediate plate, black



513030 DA 60-920 Outlet funnel, black



524051 DA 60 Recirculation fan complete



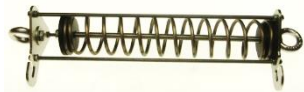
**DA 60-920**



**434128 DA 920 duct connector complete**



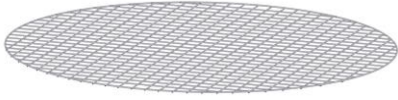
**434165 DA 920 fitting for wire suspension**



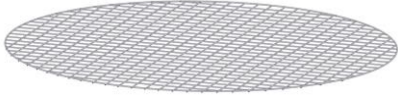
**560275 DA 60 Safety spring**

### 3.19 DA 60-920 equal pressure unit

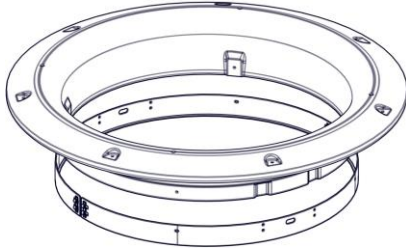
#### DA 60-920 equal pressure unit



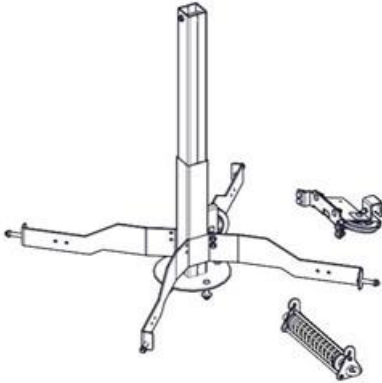
433531 DA 920 net for intake funnel A2



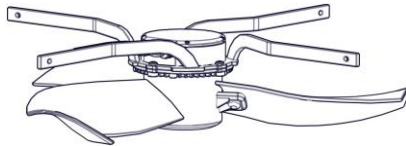
433532 DA 920 bell mouth w/clamp black



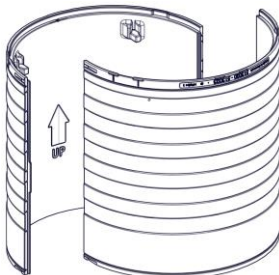
433533 DA 60-920 outlet, accessories



409161 ECT 920-1E equal pressure fan FF 230V 50/60Hz

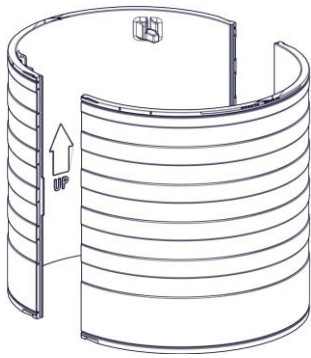


433527 DA 920 duct f.fan/roof 1000 mm grey  
433528 DA 920 duct f.fan/roof 1000 mm black





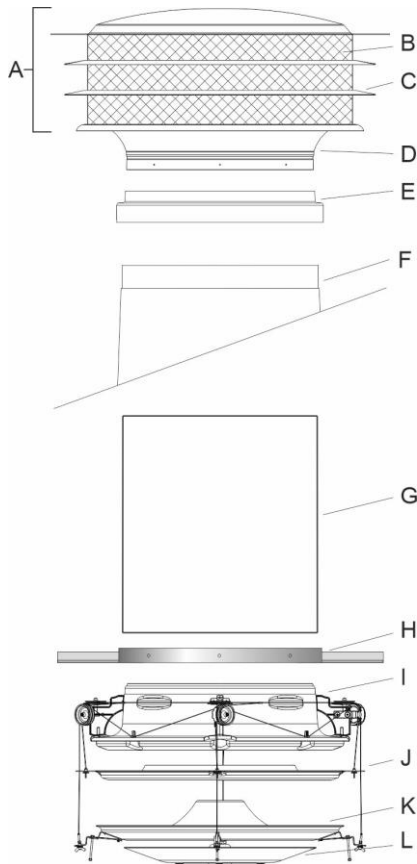
**DA 60-920 equal pressure unit**



- 433529 DA 920 duct f.fan/ceiling 1000 mm grey
- 433530 DA 920 duct f.fan/ceiling 1000 mm black

## 3.20 DA 50-920

## DA 50-920



A	433479	DA 50-920 roof cap complete, grey
B	433483	DA 50-920 mesh
C	433489	DA 50-920 rain screen for roof cap, grey
D	433482	DA 50-920 bell mouth, grey
E	*433070	DA 920 sleeve roof sheet for duct
	434106	DA 920 roof sheet, side, flat
F	*433095	DA 920 flashing - steel plate roof, grey
	433493	DA 50 neoprene cloth 1.9 x 1.7 m
G	*434101	DA 920 duct 1000mm, grey
	434102	DA 920 duct 1500mm, grey
H	*433071	DA 920 anchorage for duct
I	*433444	DA 50-920 funnel tube complete, grey
J	433460	DA 50-920 intermediate plate 1, grey
K	433459	DA 50-920 bottom plate, grey
L	433477	DA 50-950 recirculation fan, grey
	433921	DA 50-920 pulley support fitting compl.



522162 Bracket for wire mesh and wire



522160 End piece for wire



## DA 50-920

522006 Clamp for pull rod with/screw



504857 DA 50 M8 threaded portion with ring



352829 Locknut M8 4mm A2



351962 Wing nut M8 small A2



433496 Pulley suspen. f. pull rod 0.3m -ceiling

433497 Pulley suspen. f. pull rod 1.5m -ceiling



433477 DA 50-950 recirculation fan, grey

433577 DA 50-950 recirculation fan, black



524026 DA 50 recirkulation fan, raw



### DA 50-920



433488 DA 50 mounting set decentral. winch mot.



433459 DA 50-920 bottom plate, grey

433553 DA 50-920 bottom plate, black



433460 DA 50-920 intermediate plate 1, grey

433554 DA 50-920 intermediate plate 1, black



560034 Adjustment fixture f. DA 50 bott.pl



560032 Susp. cord f. DA 50 middle plate1



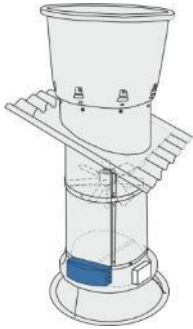
433920 DA 50-920 control wire complete



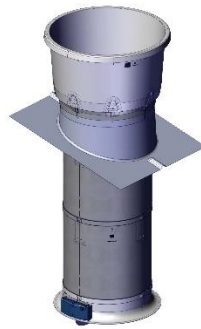
433925 DA 50 adj. fitting compl. f.bottom plate

#### 4 Air outlet

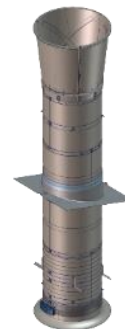
[DA 600](#)



[DA 820](#)



[DA 920](#)



<a href="#"><u>DA 600 LPC-11-12-13 fans</u></a>	<b>Alternative product</b> Contact SKOV A/S for information regarding product differences
*445070 DA 600 LPC 11-2 fan 230V1 50/60Hz	445016 DA 600 LPC 11-2 A fan 230V1 50/60Hz
**445170 DA 600 LPC 11-3 fan 230V1 50/60Hz	445016 DA 600 LPC 11-2 A fan 230V1 50/60Hz
*445071 DA 600 LPC 12-2 fan 230V1 50/60Hz	
*445072 DA 600 LPC 13-2 fan 230V1 50/60Hz	445017 DA 600 LPC 13-2 A fan 230V1 50/60Hz
**445172 DA 600 LPC 13-3 fan 230V1 50/60Hz	445017 DA 600 LPC 13-2 A fan 230V1 50/60Hz
*445073 DA 600 LPC 11-2 fan 230V1 50/60Hz TH	445018 DA 600 LPC 11-2 A fan 230V1 50/60Hz TH
*445173 DA 600 LPC 11-3 fan 230V1 50/60Hz TH	445018 DA 600 LPC 11-2 A fan 230V1 50/60Hz TH
*445074 DA 600 LPC 12-2 fan 230V1 50/60Hz TH	
**445075 DA 600 LPC 13-2 fan 230V1 50/60Hz TH	445019 DA 600 LPC 13-2 A fan 230V1 50/60Hz TH
*445175 DA 600 LPC 13-3 fan 230V1 50/60Hz TH	445019 DA 600 LPC 13-2 A fan 230V1 50/60Hz TH
**445116 DA 600 LPC 11-3 A fan 230V1 50/60Hz	445016 DA 600 LPC 11-2 A fan 230V1 50/60Hz
**445117 DA 600 LPC 13-3 A fan 230V1 50/60Hz	445017 DA 600 LPC 13-2 A fan 230V1 50/60Hz
**445118 DA 600 LPC 11-3 A fan 230V1 50/60Hz TH	445018 DA 600 LPC 11-2 A fan 230V1 50/60Hz TH
**445119 DA 600 LPC 13-3 A fan 230V1 50/60Hz TH	445019 DA 600 LPC 13-2 A fan 230V1 50/60Hz TH
*445091 DA 600 LPC-11 fan 230V 50Hz	
*445092 DA 600 LPC-11 fan incl. thermal cir 230V	
*445086 DA 600 LPC-12 fan 230V 50Hz	
*445087 DA 600 LPC-12 fan incl. thermal cir 230V	
*445088 DA 600 LPC-13 fan 230V 50Hz	
*445089 DA 600 LPC-13 fan incl thermal circ 230V	

\*The product is phased out

\*\*The product is being phased out, see the alternative product.

## 4 Air outlet

DA 600 fans		Alternative product Contact SKOV A/S for information regarding product differences	
<a href="#">**445007</a>	DA 600-1 fan 230V ON/OFF, spare part	<a href="#">445942</a>	DA 600-1 fan V2 230V1, spare part
<a href="#">*445001</a>	DA 600-1 fan 230V	<a href="#">445942</a>	DA 600-1 fan V2 230V1, spare part
<a href="#">445942</a>	DA 600-1 fan V2 230V1, spare part		
<a href="#">**445005</a>	DA 600-1 fan 400V, spare part	409144	DCT 632-6 ON/OFF fan 400V3 50Hz
<a href="#">445053</a>	DA 600-2A fan 230V, spare part		
<a href="#">**445003</a>	DA 600-3 fan 230V, spare part	<a href="#">445010</a>	DA 600-3 fan V2 230V1
<a href="#">*445002</a>	DA 600-3 fan 230V		
<a href="#">445010</a>	DA 600-3 fan V2 230V1		
<a href="#">*445008</a>	DA 600-3 fan 400V	409144	DCT 632-6 ON/OFF fan 400V3 50Hz
<a href="#">*445042</a>	DA 600-5 fan 400V	<a href="#">445023</a>	DA 600-7-2 A ON/OFF fan 400V3 50Hz
<a href="#">*445058</a>	DA 600-5T tandem fan on/off	<a href="#">445023</a>	DA 600-7-2 A ON/OFF fan 400V3 50Hz
<a href="#">*445099</a>	DA 600-7-2 ON/OFF fan 230V3 50Hz	<a href="#">445024</a>	DA 600-7-2 A ON/OFF fan 230V3 50Hz
<a href="#">445098</a>	DA 600-7-2 ON/OFF fan 230V3 60Hz		
<a href="#">**445090</a>	DA 600-7-2 ON/OFF fan 400V3 50Hz	<a href="#">445023</a>	DA 600-7-2 A ON/OFF fan 400V3 50Hz
<a href="#">*445097</a>	DA 600-7 fan 3x230V 50Hz		

DA 600 fans with frequency converter		Alternative product Contact SKOV A/S for information regarding product differences	
<a href="#">**445060</a>	DA 600-1F fan 1x230 V w/freq tr spare part	<a href="#">445016</a>	DA 600 LPC 11-2 A fan 230V1 50/60Hz
<a href="#">*445061</a>	DA 600-3F fan 1x230 V w/freq tr. spare part	<a href="#">445016</a>	DA 600 LPC 11-2 A fan 230V1 50/60Hz
<a href="#">*445059</a>	DA 600-5FT tandem fan 3x230 w/freq spare	<a href="#">445022</a>	DA 600-7F-2 A VFD fan 230V1 50/60Hz
<a href="#">*445062</a>	DA 600-5F fan 1x230V w/frequency con	<a href="#">445022</a>	DA 600-7F-2 A VFD fan 230V1 50/60Hz
<a href="#">*445085</a>	DA 600-7F-2 VFD fan 230V1 50/60Hz	<a href="#">445022</a>	DA 600-7F-2 A VFD fan 230V1 50/60Hz
<a href="#">*445185</a>	DA 600-7F-3 VFD fan 230V1 50/60Hz	<a href="#">445022</a>	DA 600-7F-2 A VFD fan 230V1 50/60Hz
<a href="#">*445080</a>	DA 600-7F fan 3x200V w/frequency tr.	<a href="#">445022</a>	DA 600-7F-2 A VFD fan 230V1 50/60Hz
<a href="#">**445122</a>	DA 600-7F-3 A VFD fan 230V1 50/60Hz	<a href="#">445022</a>	DA 600-7F-2 A VFD fan 230V1 50/60Hz

\*The product is phased out

\*\*The product is being phased out, see the alternative product.

## 4 Air outlet

<u>ECT 632-6 fans</u>		
*409112	ECT 632-6 fan 230 V	
409143	ECT 632-6 Triac/ON/OFF fan 230V1 50Hz	
S409143A	ECT 632-6 fan FF 230V, five-core,5m cable	
409144	DCT 632-6 ON/OFF fan 400V3 50Hz	
409146	ECT 632-6 Triac/ON/OFF 230V1 60Hz cUL	
*409106	ECT 632-6 fan 230 V (DA 40)	
*409116	ECT 632-6 fan 230V 60Hz CSA	
409154	DA 40 ECT 632-6 fan FF 230V	

<u>ECT/DA 800 fans</u>		<b>Alternative product</b> Contact SKOV A/S for information regarding product differences
*445077	DA 800 LPC Low Energy fan 230V1 50/60Hz	
*445078	DA 800 LPC High Flow fan 230V1 50/60Hz	
*445095	DA 800-7 ON/OFF fan 400V3 50Hz spare part	
409151	ECT 800-6 Triac/ON/OFF fan 230V1 50Hz	
*409126	ECT 800-6 fan 230 V 50 Hz	
*445082	DA 800-2 fan 230V 0.37kW spare part	409151 ECT 800-6 Triac/ON/OFF fan 230V1 50Hz

\*The product is phased out

\*\*The product is being phased out, see the alternative product.



## 4 Air outlet

<a href="#">DA 820 LPC fans</a>		<b>Alternative product</b> Contact SKOV A/S for information regarding product differences	
445026	DA 820 LPC 10 fan 230V1 50/60Hz		
445028	DA 820 LPC 12 fan 230V1 50/60Hz		
445027	DA 820 LPC 10 fan 400V3 50/60Hz		
445029	DA 820 LPC 12 fan 400V3 50/60Hz		
445036	DA 820 LPC 10 fan 230V1 50/60Hz TH		
445038	DA 820 LPC 12 fan UV 230V1 50/60Hz		
445039	DA 820 LPC 12 fan 230V1 50/60Hz TH		
445126	DA 820 LPC 10-3 fan 230V1 50/60Hz	445026	DA 820 LPC 10 fan 230V1 50/60Hz
445128	DA 820 LPC 12-3 fan 230V1 50/60Hz	445028	DA 820 LPC 12 fan 230V1 50/60Hz
445127	DA 820 LPC 10-3 fan 400V3 50/60Hz	445027	DA 820 LPC 10 fan 400V3 50/60Hz
445129	DA 820 LPC 12-3 fan 400V3 50/60Hz	445029	DA 820 LPC 12 fan 400V3 50/60Hz
445136	DA 820 LPC 10-3 fan 230V1 50/60Hz TH	445036	DA 820 LPC 10 fan 230V1 50/60Hz TH
445138	DA 820 LPC 12-3 fan equal 230V1 50/60Hz	445038	DA 820 LPC 12 fan UV 230V1 50/60Hz
445139	DA 820 LPC 12-3 fan 230V1 50/60Hz TH	445039	DA 820 LPC 12 fan 230V1 50/60Hz TH

<b>DA 820 VFD high pressure</b>		<b>Alternative product</b> Contact SKOV A/S for information regarding product differences	
<a href="#">445040</a>	DA 820F VFD fan high pressure 400V3 50/60Hz		
<a href="#">**445140</a>	DA 820F-3 VFD fan high pressure 400V3 50/60Hz	<a href="#">445040</a>	DA 820F VFD fan high pressure 400V3 50/60Hz

\*\*The product is being phased out, see the alternative product.

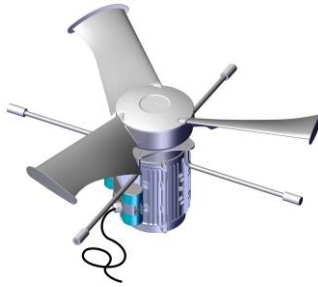
<u><a href="#">ECT/DCT 820 fans</a></u>		<b>Alternative product</b> Contact SKOV A/S for information regarding product differences	
*409013	ECT 820-6 Triac/ON/OFF fan 230V1 50Hz	445026	DA 820 LPC 10 fan 230V1 50/60Hz
409014	ECT 820-6 Triac/ON/OFF 230V1 60Hz cUL		
*409015	DCT 820-6 ON/OFF fan 400V3 50Hz	445035	DA 820 ON/OFF fan Low Energy 400V3 50Hz
**409016	ECT 820-6 Triac/ON/OFF fan 230V1 60Hz	445028	DA 820 LPC 12 fan 230V1 50/60Hz

\*The product is phased out

\*\*The product is being phased out, see the alternative product.

## 4 Air outlet

### DA 820 fans



- 445030 DA 820 ON/OFF fan High Flow 230V1 50Hz
- 445031 DA 820 ON/OFF fan High Flow 230V1 60Hz
- 445034 DA 820 ON/OFF fan Low Energy 230V1 50Hz
- 445032 DA 820 ON/OFF fan High Flow 400V3 50Hz
- 445033 DA 820 ON/OFF fan High Flow 400V3 60Hz
- 445035 DA 820 ON/OFF fan Low Energy 400V3 50Hz
- 445037 DA 820 ON/OFF fan Low En 230V1 50Hz TH

### DCT 920 fans



- \*409135 DCT 920-1 fan 3x400V
- \*409137 DCT 920-2 fan 3x400V
- \*409139 DCT 920-1F fan 400V w/frequency tr.
- \*409140 DCT 920-2F fan 400V w/frequency tr.
- \*409141 DCT 920-4 fan 3x400V
- 409150 DCT 920-1 ON/OFF fan 400V3 50Hz
- 409152 ECT 920-1E EC stepl. fan 230V1 50/60Hz
- 409153 DCT 920-2 ON/OFF fan 400V3 50Hz
- 409158 DCT 920-4E EC stepl. fan 400V3 50/60Hz
- 409159 DCT 920-2F VFD fan 400V3 50/60Hz

\*The product is phased out

## 4 Air Outlet

### DA 1700 wall fan



- \*435359 DA 1700-6 LPC 3x400V 50/60Hz therm, cover
- \*435369 DA 1700-6 LPC ACT 3x400V 50/60Hz w/cover
- \*435344 DA 1700-6 LPC -3 400V3 50/60Hz
- \*435345 DA 1700-6 LPC -3 400V3 50/60Hz thermo
- \*435346 DA 1700-6 LPC -3 ACT 400V3 50/60Hz
- \*435347 DA 1700-6 LPC -3 230V3 50/60Hz
- \*435360 DA 1700-7 3x400V 50Hz w/wall cover
- \*435361 DA 1700-7 3x400V 50Hz therm, cover
- \*435370 DA 1700-7 ACT 3x400V 50Hz w/wall cover
- \*435362 DA 1700-8 3x400V 60Hz w/wall cover
- \*435363 DA 1700-8 3x400V 60Hz therm, cover
- \*435374 DA 1700-8 3x230V 60Hz w/wall cover
  
- \*435300 DA 1700-4 LPC 1x230V 50/60Hz
- \*435301 DA 1700-4 LPC 1x230V 50/60Hz w/thermal cutout
- \*435350 DA 1700-4 LPC 1x230V 50/60Hz w/wall cover
- \*435351 DA 1700-4 LPC 1x230V 50/60Hz therm, cover
- \*435304 DA 1700-5 LPC 1x230V 50/60Hz
- \*435305 DA 1700-5 LPC 1x230V 50/60Hz w/thermal cutout
- \*435354 DA 1700-5 LPC 1x230V 50/60Hz w/wall cover
- \*435355 DA 1700-5 LPC 1x230V 50/60Hz therm, cover
- \*435302 DA 1700-4 LPC 3x400V 50/60Hz
- \*435303 DA 1700-4 LPC 3x400V 50/60Hz w/thermal cutout
- \*435352 DA 1700-4 LPC 3x400V 50/60Hz w/wall cover
- \*435353 DA 1700-4 LPC 3x400V 50/60Hz therm, cover
- \*435306 DA 1700-5 LPC 3x400V 50/60Hz
- \*435307 DA 1700-5 LPC 3x400V 50/60Hz w/thermal cutout
- \*435356 DA 1700-5 LPC 3x400V 50/60Hz w/wall cover
- \*435357 DA 1700-5 LPC 3x400V 50/60Hz therm, cover
- \*435308 DA 1700-6 LPC 3x400V 50/60Hz

\*The product is phased out

## 4 Air Outlet

---

### DA 1700 Wall Fan

- \*435309 DA 1700-6 LPC 3x400V 50/60Hz w/thermal cutout
  - \*435358 DA 1700-6 LPC 3x400V 50/60Hz w/wall cover
  - \*435321 DA 1700-4 LPC 3x230V 50/60Hz
  - \*435371 DA 1700-4 LPC 3x230V 50/60Hz w/wall cover
  - \*435322 DA 1700-5 LPC 3x230V 50/60Hz
  - \*435372 DA 1700-5 LPC 3x230V 50/60Hz w/wall cover
  - \*435323 DA 1700-6 LPC 3x230V 50/60Hz
  - \*435373 DA 1700-6 LPC 3x230V 50/60Hz w/wall cover
  - \*435310 DA 1700-7 3x400V 50Hz
  - \*435311 DA 1700-7 3x400V 50Hz w/thermal cutout
  - \*435312 DA 1700-8 3x400V 60Hz
  - \*435313 DA 1700-8 3x400V 60Hz w/thermal cutout
  - \*435324 DA 1700-8 3x230V 60Hz
-

## 4 Air Outlet

### BF 50 wall fan



BF 50 ON/OFF EL HF 400V3 50Hz 1,5hp TH	
Blue fan	Fan name BF
Impeller diameter in inches*	Fan size 50
AC fan LPC fan	Fan type ON/OFF LPC
Motor controlled Air controlled ON/OFF Stepless 0-100%	Shutter type EL AIR ON/OFF VAR
High flow Low energy	Fan characteristics HF LE
3x400 V AC 3x230 V AC 1x230 V AC	Rated voltage 400V3 230V3 230V1
50 Hz and 60 Hz 50 Hz 60 Hz	Supply frequency 50/60Hz 50Hz 60Hz
1.5	Horsepower / motor performance hp
Thermal cutout	TH

- 435406 BF 50 LPC ON/OFF LE 230V1 50/60Hz
- 435381 BF 50 LPC VAR LE 230V1 50/60Hz
- 435405 BF 50 LPC ON/OFF HF 400V3 50/60Hz
- 435408 BF 50 LPC ON/OFF LE 400V3 50/60Hz
- 435409 BF 50 LPC VAR HF 400V3 50/60Hz
- 435382 BF 50 LPC VAR LE 400V3 50/60Hz
- 435407 BF 50 LPC ON/OFF LE 230V3 50/60Hz
- 435384 BF 50 LPC VAR LE 230V3 50/60Hz
- \*\*435412 BF 50 LPC -3 ON/OFF LE 230V3 50/60Hz
- \*\*435411 BF 50 LPC -3 VAR LE 230V3 50/60Hz
- \*\*435444 BF 50 LPC -3 ON/OFF LE 230V1 50/60Hz
- \*\*435424 BF 50 LPC -3 ON/OFF LE 400V3 50/60Hz
- \*\*435443 BF 50 LPC -3 VAR LE 230V1 50/60Hz
- \*\*435423 BF 50 LPC -3 VAR LE 400V3 50/60Hz
- \*\*435446 BF 50 recirc. LE 230V1 50/60Hz
- \*\*435414 BF 50 LPC -3 recirc. LE 400V3 50/60Hz
- 435385 BF 50 ON/OFF EL 230V1 1,5hp 50Hz
- 435387 BF 50 ON/OFF EL 230V1 1,5hp 60Hz
- 435388 BF 50 ON/OFF EL 400V3 1,5hp 50Hz
- 435404 BF 50 ON/OFF EL 400V3 1,5hp 50Hz TH
- 435391 BF 50 ON/OFF EL 230V3 1,5hp 60Hz
- 435400 BF 50 ON/OFF AIR 230V1 1,5hp 50Hz
- 435401 BF 50 ON/OFF AIR 230V1 1,5hp 60Hz
- 435402 BF 50 ON/OFF AIR 400V3 1,5hp 50Hz
- 435441 BF 50 ON/OFF AIR 400V3 1,5hp 50Hz TH
- 435410 BF 50 ON/OFF AIR 400V3 1,5hp 60Hz
- 435403 BF 50 ON/OFF AIR 230V3 1,5hp 60Hz

### BF 50 shutter with actuator and cone



- 435393 BF 50 shutter VAR w/actuator w/cone
- 435341 BF 50 shutter ON/OFF w/actuator w/cone

\*\*The product is being phased out.

## 4 Air Outlet

### BF 55 wall fan



- 435467 BF 55 ON/OFF LE 400V3 50Hz 1 pc.  
 435479 BF 55 ON/OFF LE 400V3 50Hz 2 pcs.  
 435468 BF 55 ON/OFF LE 400V3 50Hz TH 1 pc.  
 435480 BF 55 ON/OFF LE 400V3 50Hz TH 2 pcs.  
 435536 BF 55 ON/OFF LE 400V3 60Hz 1 pc.  
 435537 BF 55 ON/OFF LE 400V3 60Hz 2 pcs.  
 435470 BF 55 ON/OFF HF 400V3 50Hz 1 pc.  
 435482 BF 55 ON/OFF HF 400V3 50Hz 2 pcs.  
 \*435472 BF 55 ON/OFF HF 400V3 60Hz 1 pc.  
 435544 BF 55 ON/OFF HF 400V3 60Hz 1 pc.  
 \*435484 BF 55 ON/OFF HF 400V3 60Hz 2 pcs.  
 435546 BF 55 ON/OFF HF 400V3 60Hz 2 pcs.  
 435534 BF 55 ON/OFF LE 230V3 60Hz 1 pc.  
 435535 BF 55 ON/OFF LE 230V3 60Hz 2 pcs.  
 \*435471 BF 55 ON/OFF HF 230V3 60Hz 1 pc.  
 435543 BF 55 ON/OFF HF 230V3 60Hz 1 pc.  
 \*435483 BF 55 ON/OFF HF 230V3 60Hz 2 pcs.  
 435545 BF 55 ON/OFF HF 230V3 60Hz 2 pcs.
- 435461 BF 55 LPC LE 230V1 50/60Hz 1 pcs.  
 435473 BF 55 LPC LE 230V1 50/60Hz 2 pcs.  
 435463 BF 55 LPC HF 400V3 50/60Hz 1 pc.  
 435464 BF 55 LPC HF 400V3 50/60Hz TH 1 pc.  
 435475 BF 55 LPC HF 400V3 50/60Hz 2 pcs.  
 435476 BF 55 LPC HF 400V3 50/60Hz TH 2 pcs.  
 435462 BF 55 LPC HF 230V3 50/60Hz 1 pc.  
 435474 BF 55 LPC HF 230V3 50/60Hz 2 pcs.  
 435466 BF 55 LPC HF+ 400V3 50/60Hz 1 pc.  
 435478 BF 55 LPC HF+ 400V3 50/60Hz 2 pcs.  
 435465 BF 55 LPC HF+ 230V3 50/60Hz 1 pc.  
 435477 BF 55 LPC HF+ 230V3 50/60Hz 2 pcs.  
 435528 BF 55 LPC AIR LE 230V1 50/60Hz 1 pc.  
 435529 BF 55 LPC AIR LE 230V1 50/60Hz 2 pcs.
- \*\*435504 BF 55 LPC -3 LE 230V1 50/60Hz 1 pc.  
 \*\*435510 BF 55 LPC -3 LE 230V1 50/60Hz 2 pcs.  
 \*\*435506 BF 55 LPC -3 HF 400V3 50/60Hz 1 pc.  
 \*\*435512 BF 55 LPC -3 HF 400V3 50/60Hz 2 pcs.  
 \*\*435507 BF 55 LPC -3 HF 400V3 50/60Hz TH 1 pc.  
 \*\*435513 BF 55 LPC -3 HF 400V3 50/60Hz TH 2 pcs.  
 \*\*435505 BF 55 LPC -3 HF 230V3 50/60Hz 1 pc.  
 \*\*435511 BF 55 LPC -3 HF 230V3 50/60Hz 2 pcs.

\*\*The product is being phased out.

## 4 Air Outlet

### BF 55 wall fan

- \*\*435509 BF 55 LPC -3 HF+ 400V3 50/60Hz 1 pc.
- \*\*435515 BF 55 LPC -3 HF+ 400V3 50/60Hz 2 pcs.
- \*\*435508 BF 55 LPC -3 HF+ 230V3 50/60Hz 1 pc.
- \*\*435514 BF 55 LPC -3 HF+ 230V3 50/60Hz 2 pcs.
- \*\*435530 BF 55 LPC -3 AIR LE 230V1 50/60Hz 1 pc.
- \*\*435531 BF 55 LPC -3 AIR LE 230V1 50/60Hz 2 pcs.

### EQ fan



- 409231 EQ 350 fan 220V with grating
- 409232 EQ 400 fan 220V with grating
- 409233 EQ 450 fan 220V with grating
- 409234 EQ 500 fan 220V with grating
- 409236 EQ 632 fan 220V with grating
- \*409237 EQ 500 fan 220V m/git. coatet

### DOL 35 BlueBox converter



- 136634 DOL 35 BlueBox converter 1-24 inputs
- 136639 DOL 35 BlueBox converter 25-43 inputs

### DB 1100 wall fans



- \*435188 DB 1100HE 230V 0.75hp 50Hz
- \*435187 DB 1100HE 400V 0.75hp 50Hz
- 435178 DB 1100HE 400V 0.75hp 50Hz
- 435267 DB 1100HE 400V 0.75hp 60Hz KD
- \*\*DB 1100 fans without CE approval**
- 435260 DB 1100 230V3 0.5hp 60Hz NonEU
- \*435102 DB 1100 230V 0.5hp 50Hz SS
- 435103 DB 1100 230V 0.5hp 60Hz NonEU
- \*435169 DB 1100 230V 0.5hp 60Hz KD
- 435136 DB 1100 400V 0.5hp 50Hz NonEU
- \*435165 DB 1100 400V 0.5hp 50Hz SS KD
- 435175 DB 1100 400V 0.5hp 60Hz NonEU

\*The product is phased out

**\*\*Items without CE approval must not be supplied in the EU.**

**KD = Knock down** (a knock down fan is not assembled)



## 4 Air Outlet

### DB 1400 wall fans



- \*435106 DB 1400 400V 1.0hp 50Hz
- \*435114 DB 1400 400V 1.0hp 50Hz SS KD
- 435179 DB 1400 400V 1.5hp 50Hz**
- \*435118 DB 1400 400V 1.5hp 50Hz SS KD
- \*435119 DB 1400 400V 1.5hp 60Hz SS KD
- \*435241 DB 1400 400V 1.5hp 50Hz w/therm.cutout
- 435925F DB 1400 KD, w/o motor and safety kit**
- \*435107 DB 1400 fan 400V 1.0 Hp 60Hz SSp A2
- \*435104 DB 1400 fan 230V 1.0 Hp 50Hz SSp A2
- \*435105 DB 1400 fan 230V 1.0 Hp 60Hz SSp A2
- \*435116 DB 1400 fan kd.230V 1.5 Hp 50Hz SSp A2
- \*435117 DB 1400 fan kd.230V 1.5 Hp 60Hz SSp A2
- \*\*DB 1400 fans without CE approval**
- 435108 DB 1400 230V 1.5hp 50Hz NonEU**
- 435109 DB 1400 230V 1.5hp 60Hz NonEU**
- 435111 DB 1400 400V 1.5hp 60Hz NonEU**
- 435110 DB 1400 400V 1.5hp 50Hz NonEU**
- 435261 DB 1400 230V3 1.5hp 60Hz NonEU**

### DB 1450 Wall Fans



- \*435190 DB 1450 400V 2.0hp 50Hz SS
- \*435262 DB 1450 3x230V 2 hp 60Hz SS
- \*435193 DB 1450 fan 400 V 2.0 Hp 60Hz SSp A2
- \*435195 DB 1450 fan 400 V 2.0 Hp 50Hz SSp A2, KD
- \*435194 DB 1450 fan 400 V 2.0 Hp 60Hz SSp A2, KD

### EC 1400 Wall Fans



- \*435151 EC 1400 230V 1.5hp 60Hz SS Cone in KD
- 435142 EC 1400 400V 1.5hp 50Hz SS KD
- \*435146 EC 1400 400V 1.5hp 50Hz Cone in KD
- \*435149 EC 1400 400V 1.5hp 60Hz SS Cone in KD
- \*435141 EC 1400 fan 400V 1.0 Hp 50Hz cone in kd
- \*435160 EC 1400 fan 400V 1.5 Hp 60Hz SST KD
- \*435150 EC 1400 fan 230V 1.5 Hp 50Hz cone in kd

## 4 Air Outlet

### EC 1450 Wall Fans

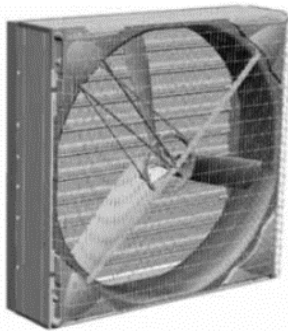


- \*435200 EC 1450 KD 400V 1.0hp 50Hz SS w/tension
- \*435245 EC 1450 400V 2.0hp 50Hz w/tension
- \*435199 EC 1450 400V 2.0hp 50Hz KD w/tension

**\*\*EC 1450 fans without CE approval**

- 435987 EC 1450 200V3 2.0hp 60Hz NonEU

### VC 1400 Wall Fan



**\*\*V 1400/VC 1400 fans without CE approval**

- \*435220 V 1400 400V 1.5hp 50Hz 3 Wings
- 435180 V 1400 400V3 1.5hp 50Hz 3wings KD NonEU
- 435181 V 1400 400V3 1.5hp 60Hz 3wings KD NonEU
- \*435183 V 1400 400V 1.5hp 60Hz 5 Wings KD
- \*435184 VC 1400 400V 1.5hp 50Hz 3 Wings KD
- \*435226 VC 1400 400V 1.5hp 50Hz 5 Wings
- 435186 VC 1400 400V3 1.5hp 50Hz 5wings KD NonEU
- \*435185 VC 1400 400V 1.5hp 60Hz 3 Wings KD
- 435299 VC 1400 400V3 1.5hp 60Hz 5wings KD NonEU

\*The product is phased out

**\*\*Items without CE approval must not be supplied in the EU.**

**KD = Knock down** (a knock down fan is not assembled)

## 4.1 DA 600

## DA 600



434018 Dynamic Air - kit for bell mouth/chimney

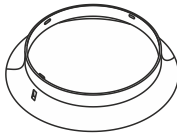


434035 Dynamic Air - kit for bell mouth/duct



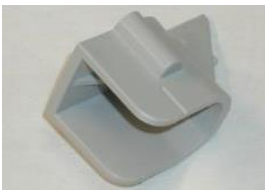
432070 DA 74CV winch motor stepless

432080 DA 74CO winch motor on/off



434471 DA 600 bell mouth gray

434472 DA 600 bell mouth black



526441 Raw fan suspension plastic



434212 DA 600 swivel shutter black



434090 Screws for swivel shutter



560603 DA 74 screw set for swivel shutter

### DA 600



357700 Chipboard screw 6x23 pan TX25 A2 spec.



522752 Shaft for swivel shutter, short



522750 Shaft for swivel shutter, long



432056 Universal kit f. plastic swivel shutter



432055 DA 74 mount.set, flap in duct



432091 DA 74 adapter f. swivel shutter



434088 Arm f. swivel shutter in bell mouth



504860 Arm, long f/DA 600 swivel shutter

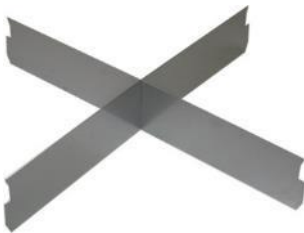
**DA 600**



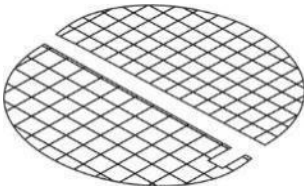
**405908 Wire clamp for swivel arm**



**434008 DA 600/DA 820 air dir. baffles black**



**434030 DA 600 environment module**



**434091 DA 600 net, swivel shutter**



**434449 DA 600/820 storm protection kit**

## 4.2 DA 820

## DA 820



434018 Dynamic Air - kit for bell mouth/chimney



434035 Dynamic Air - kit for bell mouth/duct



432070 DA 74CV winch motor stepless

432080 DA 74CO winch motor on/off



526441 Raw fan suspension plastic



434623 DA 820 swivel shutter black



434090 Screws for swivel shutter



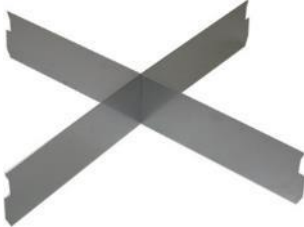
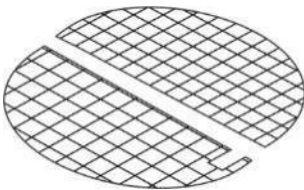
560603 DA 74 screw set for swivel shutter



357700 Chipboard screw 6x23 pan TX25 A2 spec.

**DA 820****522752 Shaft for swivel shutter, short****522750 Shaft for swivel shutter, long****432056 Universal kit f. plastic swivel shutter****432055 DA 74 mount.set, flap in duct****432091 DA 74 adapter f. swivel shutter****434088 Arm f. swivel shutter in bell mouth****405908 Wire clamp for swivel arm**



**DA 820****434008 DA 600/DA 820 air dir. baffles black****434661 DA 820 environment module****434653 DA 820 net, swivel shutter****434449 DA 600/820 storm protection kit**



## 4.3 DA 920

## DA 920



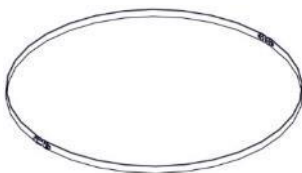
**434018 Dynamic Air - kit for bell mouth/chimney**  
Spare part for all DA 920 ducts.



**434035 Dynamic Air - kit for bell mouth/duct**  
Spare part for all DA 920 ducts.



**434128 DA 920 duct connector complete**  
Spare part for all DA 920 PUR ducts.



**434162 DA 920 support ring, A2**  
Spare part for all DA 920 PUR ducts.



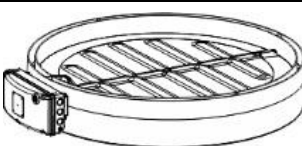
**434165 DA 920 fitting for wire suspension**  
Spare part for all DA 920 PUR ducts.



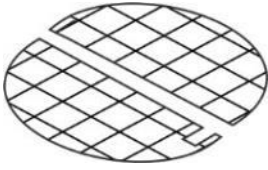
**434149 DA 920 connector for shutter unit**  
Spare part for all DA 920 PUR ducts.



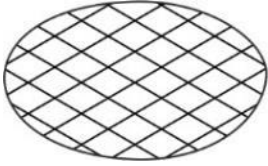
**434118 DA 920 sleeve/duct end, grey**  
**434119 DA 920 sleeve/duct end, black**  
Used as a transition between DA 920 ducts and DA 920 roofing sheets.



**433083 DA 920 swivel shutter module on/off**  
**433084 DA 920 swivel shutter module, stepless**  
Spare part for all DA 920 ducts.

**DA 920****433076 DA 920 net, swivel shutter**

Spare part for all DA 920 ducts.

**433077 DA 920 net, duct**

Spare part for all DA 920 ducts.

**504752 Mounting bracket set A2 f. Ø920 outlet cone**

Spare part for the old DA 920 ducts.

**433075 Revepur sh-100 joint sealer**

Spare part for the old DA 920 ducts.

## 4.4 DA 600 LPC-11-12-13 fan

### DA 600 LPC-11-12-13 fan



#### 445986 DA 600 LPC 11-3 controller 230V1 50/60Hz

Spare part for:

- 445116 DA 600 LPC 11-3 A fan 230V1 50/60Hz
- 445118 DA 600 LPC 11-3 A fan 230V1 50/60Hz TH
- 445170 DA 600 LPC 11-3 fan 230V1 50/60Hz
- 445173 DA 600 LPC 11-3 fan 230V1 50/60Hz TH

The product is being phased out.



#### 445987 DA 600 LPC 13-3 controller 230V1 50/60Hz

Spare part for:

- 445117 DA 600 LPC 13-3 A fan 230V1 50/60Hz
- 445119 DA 600 LPC 13-3 A fan 230V1 50/60Hz TH
- 445172 DA 600 LPC 13-3 fan 230V1 50/60Hz
- 445175 DA 600 LPC 13-3 fan 230V1 50/60Hz TH

The product is being phased out.



#### 445970 DA 600 LPC-11-2 drive incl kit

Spare part for:

- 445016 DA 600 LPC 11-2 A fan 230V1 50/60Hz
- 445018 DA 600 LPC 11-2 A fan 230V1 50/60Hz TH
- 445070 DA 600 LPC 11-2 fan 230V1 50/60Hz
- 445073 DA 600 LPC 11-2 fan 230V1 50/60Hz TH
- 445116 DA 600 LPC 11-3 A fan 230V1 50/60Hz
- 445118 DA 600 LPC 11-3 A fan 230V1 50/60Hz TH
- 445170 DA 600 LPC 11-3 fan 230V1 50/60Hz
- 445173 DA 600 LPC 11-3 fan 230V1 50/60Hz TH



#### 445972 DA 600 LPC-13-2 drive incl kit

Spare part for:

- 445017 DA 600 LPC 13-2 A fan 230V1 50/60Hz
- 445019 DA 600 LPC 13-2 A fan 230V1 50/60Hz TH
- 445072 DA 600 LPC 13-2 fan 230V1 50/60Hz
- 445075 DA 600 LPC 13-2 fan 230V1 50/60Hz TH
- 445117 DA 600 LPC 13-3 A fan 230V1 50/60Hz
- 445119 DA 600 LPC 13-3 A fan 230V1 50/60Hz TH
- 445172 DA 600 LPC 13-3 fan 230V1 50/60Hz
- 445175 DA 600 LPC 13-3 fan 230V1 50/60Hz TH

### DA 600 LPC-11-12-13 fan



#### 445107 Line Reactor 3-phase 4,9mH 6A

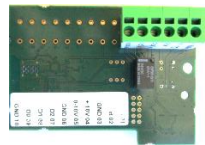
Spare part for:

- 445116 DA 600 LPC 11-3 A fan 230V1 50/60Hz
- 445118 DA 600 LPC 11-3 A fan 230V1 50/60Hz TH
- 445170 DA 600 LPC 11-3 fan 230V1 50/60Hz
- 445173 DA 600 LPC 11-3 fan 230V1 50/60Hz TH
- 445117 DA 600 LPC 13-3 A fan 230V1 50/60Hz
- 445119 DA 600 LPC 13-3 A fan 230V1 50/60Hz TH
- 445172 DA 600 LPC 13-3 fan 230V1 50/60Hz
- 445175 DA 600 LPC 13-3 fan 230V1 50/60Hz TH



#### 445104 LPC controller, Modbus to USB cable

This cable is used to connect an LPC controller to a PC. With a PC software tool, it is possible to read out error feedback and real time loggings from the LPC controller. The tool must be used only by qualified personnel for servicing and troubleshooting.



#### 445076 LPC-2 relay module

Spare part for DA 600 LPC-11-2/DA 600 LPC-12-2/DA 600 LPC-13-2.



#### 445939 DA 600 LPC A fan wo/cont. 230V1 50/60Hz



#### 525042 DA 600 impeller 42



#### 522344 Splines for DA 600 LPC motor

Spare part for all DA 600 LPC fans.



#### 520255 DA 600 LPC-11/12/13 Suspension for fan

Spare part for all DA 600 LPC fans.

### DA 600 LPC-11-12-13 fan



**445923 DA 600 LPC motor complete 0.75kW 3x230V**  
Spare part for all DA 600 LPC fans.



**445924 DA 600 LPC motor w/thermal cut out 0.75kW 3**  
Spare part for all DA 600 LPC fans.



**445974 DA 600 LPC motor, bearing f/flange A Ø47**  
Spare part for all DA 600 LPC-11-12-13 fans.  
Spare part for the shaft end.  
Use together with 445937 DA 600 LPC axial shaft seal.



**445937 DA 600 LPC axial shaft seal**  
Spare part for all DA 600 LPC-11-12-13 fans.  
Replace this seal when replacing shaft end bearing”



**445975 DA 600 LPC motor, bearing f/flange B Ø40**  
Spare part for all DA 600 LPC-11-12-13 fans.  
Spare part for the back end.



**445925 DA 600 LPC cable 2M**  
Spare part for all DA 600 LPC fans.



**445927 DA 600 LPC cable kit 5M**  
Spare part for all DA 600 LPC fans.



**132996 DOL 34/34H LPC-kit**  
Spare part for all DA 600 LPC-11-12-13 fans.

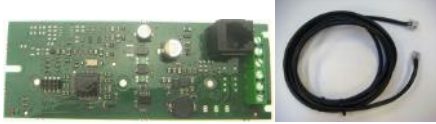
### DA 600 LPC-11-12-13 fan



**432971 DA 74 converter circuit board f. LPC**  
Spare part for all DA 600 LPC-11-12-13 fans.



**301229 MOD bus cable 3m**  
Spare part for all DA 600 LPC-11-12-13 fans.



**432969 DA 74 PCB kit for LPC fans**  
Spare part for all DA 600 LPC-11-12-13 fans.



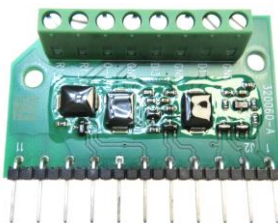
**432970 DA 74 kabinet f. LPC converterprint**  
Spare part for all DA 600 LPC-11-12-13 fans.



**445918 Rubber suspension kit, DA 600/820 fans**



**110485 Sun cover f/DA 600/820 IV -3 controller**  
Spare part for all LPC-3 230V1.  
The product is being phased out.



**445990 LPC-3 PCB module**  
Spare part for all LPC-3 230V1.



## 4.5 445007 • DA 600-1 fan 230 V

### 445007 • DA 600-1 fan 230 V

[Air outlet front page](#)



#### 445901 DA 600-1 motor 230V with condenser

Spare parts for DA 600-1 are being phased out.

Alternative product is **445942 DA 600-1 fan V2 230V1, spare part.**



#### 229311 M-Capacitor 20 mF



#### 520250 Suspension for fan Grundfos

The product is being phased out.



#### 525001 DA 600-1 fan blade 625/10-10/50/PA

The product is being phased out.



#### 445918 Rubber suspension kit, DA 600/820 fans



#### 445015 Tongue for DA 600-1/3/7 motor shaft

**445007 • DA 600-1 fan 230 V**[Air outlet  
front page](#)

**370067 Connection box 105x105x55**  
Spare part for all models.



**526441 Raw fan suspension plastic**



**409940 Fan fitting for PU ducting**



## 4.6 445942 • DA 600-1 fan V2 230V1

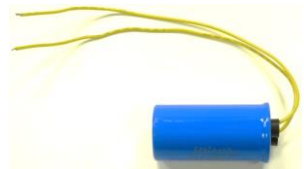
### 445942 • DA 600-1 fan V2 230V1

[Air outlet front page](#)

520254 DA 600-7/7F fan suspension



445900 DA 600-3 motor V2 230V1 with condenser



229323 M-capacitor 15 microF 400V



525001 DA 600-1 fan blade 625/10-10/50/PA

The product is being phased out.



445918 Rubber suspension kit, DA 600/820 fans

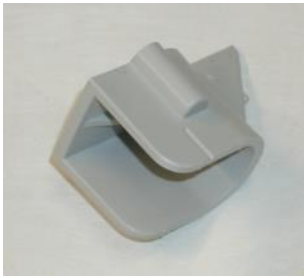


445015 Tongue for DA 600-1/3/7 motor shaft



370067 Connection box 105x105x55

Spare part for all models.

**445942 • DA 600-1 fan V2 230V1**[Air outlet  
front page](#)**526441 Raw fan suspension plastic****409940 Fan fitting for PU ducting**

## 4.7 445005 • DA 600-1 fan 400 V

### 445005 • DA 600-1 fan 400 V

[Air outlet front page](#)



**524147 DA 600-1 motor 400V 0.37kW w. cable**

Spare parts for DA 600-1 are being phased out.

Alternative product is **445005 DA 600-1 fan 400V, spare part.**



**520250 Suspension for fan Grundfos**

The product is being phased out.



**525001 DA 600-1 fan blade 625/10-10/50/PA**

The product is being phased out.



**445918 Rubber suspension kit, DA 600/820 fans**



**445015 Tongue for DA 600-1/3/7 motor shaft**

**445005 • DA 600-1 fan 400 V**[Air outlet  
front page](#)**37067 Connection box 105x105x55****526441 Raw fan suspension plastic****40940 Fan fitting for PU ducting**

## 4.8 445053 • DA 600-2A fan 230 V

### 445053 • DA 600-2A fan 230 V

[Air outlet front page](#)



775081 DA 600-2A motor 230V 0.22 w. condensator



229313 M-capacitor 10mF



520250 Suspension for fan Grundfos  
The product is being phased out.



445918 Rubber suspension kit, DA 600/820 fans



445015 Tongue for DA 600-1/3/7 motor shaft



370067 Connection box 105x105x55



526441 Raw fan suspension plastic

**445053 • DA 600-2A fan 230 V**[Air outlet  
front page](#)**409940 Fan fitting for PU ducting**

## 4.9 445003 • DA 600-3 fan 230 V spare part

### 445003 • DA 600-3 fan 230 V spare part

[Air outlet front page](#)



**445903 DA 600-3 motor 230V with condenser**

Spare parts for DA 600-3 are being phased out.

Alternative product is **445010 DA 600-3 fan V2 230V1**.



**229302 M-capacitor 12,5 uF 400v**



**520250 Suspension for fan Grundfos**

The product is being phased out.



**525007 DA 600-3 fan blade 625/5-10/45/PA**

The product is being phased out.



**445918 Rubber suspension kit, DA 600/820 fans**



**445015 Tongue for DA 600-1/3/7 motor shaft**

**445003 • DA 600-3 fan 230 V spare part**[Air outlet  
front page](#)**370067 Connection box 105x105x55****526441 Raw fan suspension plastic****409940 Fan fitting for PU ducting**



## 4.10 445002 • DA 600-3 fan 230 V

### 445002 • DA 600-3 fan 230 V

[Air outlet front page](#)



445010 DA 600-3 fan V2 230V1



520254 DA 600-77F fan suspension

Spare part for:

445010 DA 600-3 fan V2 230V1



445900 DA 600-3 motor V2 230V1 with condenser

Spare part for:

445010 DA 600-3 fan V2 230V1



445902 DA 600-2/600-4 motor 230V w/condensator

The product is being phased out.

Alternative product is **775081 DA 600-2A motor 230V 0.22 w. condensator.**



229313 M-capacitor 10mF



520250 Suspension for fan Grundfos

The product is being phased out.

**445002 • DA 600-3 fan 230 V**[Air outlet  
front page](#)**445918 Rubber suspension kit, DA 600/820 fans****445015 Tongue for DA 600-1/3/7 motor shaft****370067 Connection box 105x105x55****526441 Raw fan suspension plastic****409940 Fan fitting for PU ducting**

## 4.11 445010 • DA 600-3 fan V2 230 V

### 445010 • DA 600-3 fan V 2 230 V

[Air outlet front page](#)



#### 520254 DA 600-7/7F fan suspension

Spare part for:

445010 DA 600-3 fan V2 230V1



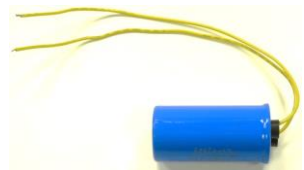
#### 520261 DA 600-7 fan suspension 1.1kW



#### 445900 DA 600-3 motor V2 230V1 with condensator

Spare part for:

445010 DA 600-3 fan V2 230V1



#### 229323 M-capacitor 15 microF 400V

Spare part for:

445010 DA 600-3 fan V2 230V1



#### 525007 DA 600-3 fan blade 625/5-10/45/PA

The product is being phased out.



#### 445918 Rubber suspension kit, DA 600/820 fans

**445010 • DA 600-3 fan V 2 230 V**[Air outlet  
front page](#)**445015 Tongue for DA 600-1/3/7 motor shaft****370067 Connection box 105x105x55****526441 Raw fan suspension plastic****409940 Fan fitting for PU ducting**

## 4.12 445008 • DA 600-3 fan 400 V

### 445008 • DA 600-3 fan 400 V

[Air outlet front page](#)



**524146 DA 600-3 motor 400V 0.25kW w. cable**

Spare parts for DA 600-3 are being phased out.

Alternative product is **409144 DCT 632-6 ON/OFF fan 400V3 50Hz.**



**520250 Suspension for fan Grundfos**

The product is being phased out.



**525007 DA 600-3 fan blade 625/5-10/45/PA**

The product is being phased out.



**445918 Rubber suspension kit, DA 600/820 fans**



**445015 Tongue for DA 600-1/3/7 motor shaft**

**445008 • DA 600-3 fan 400 V**[Air outlet  
front page](#)**37067** Connection box 105x105x55**526441** Raw fan suspension plastic**409940** Fan fitting for PU ducting

## 4.13 445042 • DA 600-5 fan 400 V

### 445042 • DA 600-5 fan 400 V

[Air outlet front page](#)



**524145 DA 600-5 motor 400V 0.55kW w. cable**

Spare parts for DA 600-5 are being phased out.

Alternative item is **445090 DA 600-7-2 ON/OFF fan 400V3 50Hz**. Contact SKOV for information about differences.



**520250 Suspension for fan Grundfos**

The product is being phased out.



**445918 Rubber suspension kit, DA 600/820 fans**



**445015 Tongue for DA 600-1/3/7 motor shaft**



**370067 Connection box 105x105x55**



**526441 Raw fan suspension plastic**

**445042 • DA 600-5 fan 400 V**[Air outlet  
front page](#)**409940 Fan fitting for PU ducting**



## 4.14 445058 • DA 600-5T tandem fan

### DA 600-5T

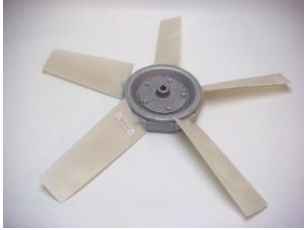
[Air outlet front page](#)



**524218** DA 600-5T tandem fan 3x400V, ex. acc.

Spare parts for DA 600-5T are being phased out.

Alternative product is **445090** DA 600-7-2 ON/OFF fan 400V3 50Hz.



**525012** Fan blade, tandem 625/5-10/30/PAG



**445918** Rubber suspension kit, DA 600/820 fans



**520250** Suspension for fan Grundfos

The product is being phased out.

**4.15 445099 • DA 600-7-2 230V3 50 Hz****445099 • DA 600-7-2 230V3 50 Hz**[Air outlet  
front page](#)

524064 DA 600/820 AC motor 1.1kW 4P 3x230V 50Hz



520261 DA 600-7 fan suspension 1.1kW



525042 DA 600 impeller 42



445918 Rubber suspension kit, DA 600/820 fans



370067 Connection box 105x105x55



526441 Raw fan suspension plastic



**445099 • DA 600-7-2 230V3 50 Hz**[Air outlet  
front page](#)**409940 Fan fitting for PU ducting****500747 Feather key 5x5x20 A4 DIN6885A****352852 Washer  $\varnothing$ 5.3/ $\varnothing$ 30x1,5 A2****357053 Hex screw fully thread M5x50 A2 DIN 933**

**4.16 445024 • DA 600-7-2 A ON/OFF fan 230V3 50Hz****445024 • DA 600-7-2 A ON/OFF fan 230V3 50Hz**[Air outlet  
front page](#)

524064 DA 600/820 AC motor 1.1kW 4P 3x230V 50Hz



520261 DA 600-7 fan suspension 1.1kW



525042 DA 600 impeller 42



445918 Rubber suspension kit, DA 600/820 fans



370067 Connection box 105x105x55



526441 Raw fan suspension plastic

---

**445024 • DA 600-7-2 A ON/OFF fan 230V3 50Hz**[Air outlet  
front page](#)**409940 Fan fitting for PU ducting**

---

**500747 Feather key 5x5x20 A4 DIN6885A**

---

**352852 Washer  $\varnothing$ 5.3/ $\varnothing$ 30x1,5 A2**

---

**357053 Hex screw fully thread M5x50 A2 DIN 933**

---

## 4.17 445098 • DA 600-7-2 230V3 60Hz

### 445098 • DA 600-7-2 230V3 60Hz

[Air outlet front page](#)

#### 445941 DA 600-7F motor V2 230V3

When replacing the Grundfos motor with a DA 600-7F motor (445941), a new suspension (520254) must be supplied, as the center hole in the original does not fit the new motor.



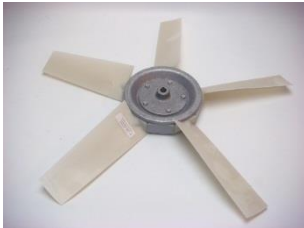
#### 301257 Cable, motor 2m 4xAWG16 shielded

Spare part for:

445941 DA 600-7F motor V2 230V3



#### 520254 DA 600-7 fan suspension 0.73kW



#### 525012 Fan blade, tandem 625/5-10/30/PAG



#### 445918 Rubber suspension kit, DA 600/820 fans



#### 445015 Tongue for DA 600-1/3/7 motor shaft



#### 370067 Connection box 105x105x55

445098 • DA 600-7-2 230V3 60Hz

[Air outlet front page](#)



526441 Raw fan suspension plastic



409940 Fan fitting for PU ducting

## 4.18 445090 • DA 600-7-2 400V3

### 445090 • DA 600-7-2 400V3

[Air outlet front page](#)

#### 445940 DA 600-7 motor V2 400V3 TH

When replacing the Grundfos motor (524047) with a DA 600-7 motor (445940), a new suspension (520254) must be supplied, as the center hole in the original does not fit the new motor.



#### 301255 Cable, motor 2m 6xAWG16 w. therm con.

Spare part for:

445940 DA 600-7 motor V2 400V3 TH



#### 520254 DA 600-7 fan suspension 0.73kW



#### 525042 DA 600 impeller 42



#### 445918 Rubber suspension kit, DA 600/820 fans



#### 445015 Tongue for DA 600-1/3/7 motor shaft



#### 370067 Connection box 105x105x55



445090 • DA 600-7-2 400V3

[Air outlet front page](#)



526441 Raw fan suspension plastic



409940 Fan fitting for PU ducting

## 4.19 445023 • DA 600-7-2 A ON/OFF fan 400V3 50Hz

445023 • DA 600-7-2 A ON/OFF fan 400V3 50Hz

[Air outlet  
front page](#)

**445940 DA 600-7 motor V2 400V3 TH**

When replacing the Grundfos motor (524047) with a DA 600-7 motor (445940), a new suspension (520254) must be supplied, as the center hole in the original does not fit the new motor.



**301255 Cable, motor 2m 6xAWG16 w. therm con.**

Spare part for:

445940 DA 600-7 motor V2 400V3 TH



**520254 DA 600-7 fan suspension 0.73kW**



**525042 DA 600 impeller 42**



**445918 Rubber suspension kit, DA 600/820 fans**



**445015 Tongue for DA 600-1/3/7 motor shaft**



**370067 Connection box 105x105x55**

**445023 • DA 600-7-2 A ON/OFF fan 400V3 50Hz** [Air outlet front page](#)



526441 Raw fan suspension plastic

---

**409940 Fan fitting for PU ducting**



409940 Fan fitting for PU ducting

## 4.20 445097 • DA 600-7 3x230 V

### 445097 • DA 600-7 3x230 V

[Air outlet front page](#)

#### 445941 DA 600-7F motor V2 230V3

When replacing the Grundfos motor with a DA 600-7F motor (445941), a new suspension (520254) must be supplied, as the center hole in the original does not fit the new motor.



#### 301257 Cable, motor 2m 4xAWG16 shielded

Spare part for:

445941 DA 600-7F motor V2 230V3



#### 520254 DA 600-7 fan suspension 0.73kW



#### 525042 DA 600 impeller 42



#### 445918 Rubber suspension kit, DA 600/820 fans



#### 445015 Tongue for DA 600-1/3/7 motor shaft



#### 370067 Connection box 105x105x55

**445097 • DA 600-7 3x230 V** [Air outlet front page](#)



526441 Raw fan suspension plastic

---

**409940 Fan fitting for PU ducting**



409940 Fan fitting for PU ducting

## 4.21 445060 • DA 600-1F 1x230 V

### 445060 • DA 600-1F 1x230 V

[Air outlet front page](#)



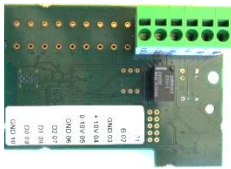
#### 445910 DA 600-1F motor 3x230V f. freq.transform

Spare parts for DA 600-1F are being phased out.

Alternative product is **445060 DA 600-1F fan 1x230 V w/freq tr spare part.**



#### 110451 DOL 38-2 VFD 4.5A 230V1 50/60Hz



#### 445076 LPC-2 relay module



#### 520250 Suspension for fan Grundfos

The product is being phased out.



#### 525001 DA 600-1 fan blade 625/10-10/50/PA

The product is being phased out.



#### 445918 Rubber suspension kit, DA 600/820 fans

**445060 • DA 600-1F 1x230 V**

[Air outlet front page](#)



**301176 Cable 4x1mm 2.0m frequency fan**



**370067 Connection box 105x105x55**



**526441 Raw fan suspension plastic**



**409940 Fan fitting for PU ducting**

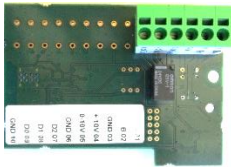
## 4.22 445061 • DA 600-3F 1x230 V

445061 • DA 600-3F 1x230 V

[Air outlet  
front page](#)



110451 DOL 38-2 VFD 4.5A 230V1 50/60Hz



445076 LPC-2 relay module



525007 Fan blade 625/5-10/45/PA

The product is being phased out.



445918 Rubber suspension kit, DA 600/820 fans



520250 Suspension for fan Grundfos

The product is being phased out.



301176 Cable 4x1mm 2.0m frequency fan



**445061 • DA 600-3F 1x230 V**

[Air outlet front page](#)



**370067 Connection box 105x105x55**



**526441 Raw fan suspension plastic**



**409940 Fan fitting for PU ducting**

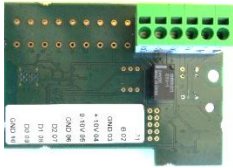
## 4.23 445059 • DA 600-5FT tandem 3x230 V

445059 • DA 600-5FT tandem 3x230 V

[Air outlet  
front page](#)



110451 DOL 38-2 VFD 4.5A 230V1 50/60Hz



445076 LPC-2 relay module



445918 Rubber suspension kit, DA 600/820 fans



520250 Suspension for fan Grundfos

The product is being phased out.



370067 Connection box 105x105x55



526441 Raw fan suspension plastic

445059 • DA 600-5FT tandem 3x230 V

[Air outlet front page](#)



409940 Fan fitting for PU ducting

## 4.24 445062 • DA 600-5F 1x230 V

### 445062 • DA 600-5F 1x230 V

[Air outlet front page](#)

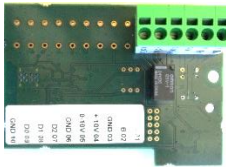


**445912 DA 600-5F motor 3x230 V f freq.transform**  
Spare parts for DA 600-5F are being phased out.

Alternative product is **445022 DA 600-7F-2 A VFD fan 230V1 50/60Hz.**



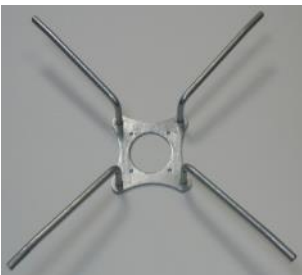
**110451 DOL 38-2 VFD 4.5A 230V1 50/60Hz**



**445076 LPC-2 relay module**



**445918 Rubber suspension kit, DA 600/820 fans**



**520250 Suspension for fan Grundfos**  
The product is being phased out.



**370067 Connection box 105x105x55**

445062 • DA 600-5F 1x230 V

[Air outlet front page](#)



526441 Raw fan suspension plastic



409940 Fan fitting for PU ducting

## 4.25 445085 • DA 600-7F-2 VFD 230V1

### 445085 • DA 600-7F-2 VFD 230V1

[Air outlet  
front page](#)

#### 445941 DA 600-7F motor V2 230V3

When replacing the Grundfos motor with a DA 600-7F motor (445941), a new suspension (520254) must be supplied, as the center hole in the original does not fit the new motor.



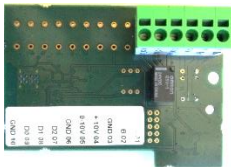
#### 301257 Cable, motor 2m 4xAWG16 shielded

Spare part for:

445941 DA 600-7F motor V2 230V3



#### 110451 DOL 38-2 VFD 4.5A 230V1 50/60Hz



#### 445076 LPC-2 relay module



#### 525042 DA 600 impeller 42



#### 445918 Rubber suspension kit, DA 600/820 fans

**445085 • DA 600-7F-2 VFD 230V1** [Air outlet front page](#)



**520254 DA 600-7/7F fan suspension**



**370067 Connection box 105x105x55**



**526441 Raw fan suspension plastic**



**409940 Fan fitting for PU ducting**

## 4.26 445022 • DA 600-7F-2 A VFD fan 230V1 50/60Hz

445022 • DA 600-7F-2 A VFD fan 230V1 50/60Hz

[Air outlet  
front page](#)

**445941 DA 600-7F motor V2 230V3**

When replacing the Grundfos motor with a DA 600-7F motor (445941), a new suspension (520254) must be supplied, as the center hole in the original does not fit the new motor.



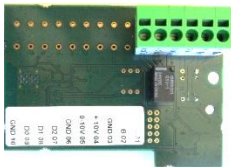
**301257 Cable, motor 2m 4xAWG16 shielded**

Spare part for:

445941 DA 600-7F motor V2 230V3



**110451 DOL 38-2 VFD 4.5A 230V1 50/60Hz**



**445076 LPC-2 relay module**



**525042 DA 600 impeller 42**



**445918 Rubber suspension kit, DA 600/820 fans**



**445022 • DA 600-7F-2 A VFD fan 230V1 50/60Hz**

[Air outlet front page](#)



**520254 DA 600-7/7F fan suspension**



**370067 Connection box 105x105x55**



**526441 Raw fan suspension plastic**



**409940 Fan fitting for PU ducting**

## 4.27 445185 • DA 600-7F-3 VFD fan 230V1

### 445185 • DA 600-7F-3 VFD fan 230V1

[Air outlet  
front page](#)

#### 445941 DA 600-7F motor V2 230V3

When replacing the Grundfos motor with a DA 600-7F motor (445941), a new suspension (520254) must be supplied, as the center hole in the original does not fit the new motor.



#### 301257 Cable, motor 2m 4xAWG16 shielded

Spare part for:

445941 DA 600-7F motor V2 230V3



#### 110459 DOL 38-3 VFD 230V1 50/60Hz

The product is being phased out.



#### 110451 DOL 38-2 VFD 4.5A 230V1 50/60Hz



#### 445107 Line Reactor 3-phase 4.9mH 6A



#### 525042 DA 600 impeller 42

**445185 • DA 600-7F-3 VFD fan 230V1**

[Air outlet front page](#)

**445918 Rubber suspension kit, DA 600/820 fans**



**520254 DA 600-7/7F fan suspension**



**370067 Connection box 105x105x55**



**526441 Raw fan suspension plastic**



**409940 Fan fitting for PU ducting**

## 4.28 445122 • DA 600-7F-3 A VFD fan 230V1 50/60Hz

445122 • DA 600-7F-3 A VFD fan 230V1 50/60Hz

[Air outlet front page](#)

**445941 DA 600-7F motor V2 230V3**

When replacing the Grundfos motor with a DA 600-7F motor (445941), a new suspension (520254) must be supplied, as the center hole in the original does not fit the new motor.



**301257 Cable, motor 2m 4xAWG16 shielded**

Spare part for:

445941 DA 600-7F motor V2 230V3



**110459 DOL 38-3 VFD 230V1 50/60Hz**

The product is being phased out.



**110451 DOL 38-2 VFD 4.5A 230V1 50/60Hz**



**445107 Line Reactor 3-phase 4.9mH 6A**



**525042 DA 600 impeller 42**

445122 • DA 600-7F-3 A VFD fan 230V1 50/60Hz

[Air outlet front page](#)

445918 Rubber suspension kit, DA 600/820 fans



520254 DA 600-7/7F fan suspension



370067 Connection box 105x105x55



526441 Raw fan suspension plastic



409940 Fan fitting for PU ducting

**4.29 445080 • DA 600-7F fan 3x200 V****445080 • DA 600-7F fan 3x200 V**[Air outlet  
front page](#)**524940 DA 600-7F-2 A fan 200V3****525042 DA 600 impeller 42****445918 Rubber suspension kit, DA 600/820 fans****520250 Suspension for fan Grundfos**

The product is being phased out.

**370067 Connection box 105x105x55****526441 Raw fan suspension plastic**

445080 • DA 600-7F fan 3x200 V

[Air outlet front page](#)



409940 Fan fitting for PU ducting

## 4.30 ECT 632-6 fans

### ECT 632-6 fans

**523200 Rubber ferrule f. ECT & DCT fan, 4 pcs**

Spare part for:

409116 ECT 632-6 fan 230V 60Hz CSA

409112 ECT 632-6 fan 230 V

**229302 M-capacitor 12,5 uF 400v**

Spare part for:

409116 ECT 632-6 fan 230V 60Hz CSA

409112 ECT 632-6 fan 230 V

**409940 Fan fitting for PU ducting**

Spare part for:

409116 ECT 632-6 fan 230V 60Hz CSA

409112 ECT 632-6 fan 230 V

**526441 Raw fan suspension plastic**

Spare part for:

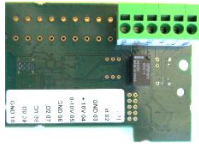
409116 ECT 632-6 fan 230V 60Hz CSA

409112 ECT 632-6 fan 230 V

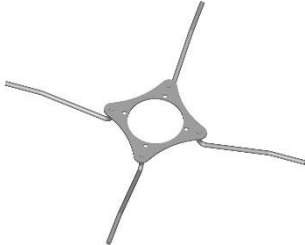


## 4.31 ECT/DA 800 fans

### DA 800 fans



**445076 LPC-2 relay module**  
Spare part for DA 800 LPC models.



**520256 DA 800 LPC-12 fan suspension**  
Spare part for:  
445077 DA 800 LPC Low Energy fan 230V1 50/60Hz

**520258 DA 800 LPC fan suspension 1 kW**  
Spare part for:  
445078 DA 800 LPC High Flow fan 230V1 50/60Hz

**520257 DA 800-7 fan suspension f/Grundfos**  
Spare part for:  
445095 DA 800-7 ON/OFF fan 400V3 50Hz spare part



**525017 DA 800 LPC fan blade**  
Spare part for:  
445077 DA 800 LPC Low Energy fan 230V1 50/60Hz

**525019 DA 800 LPC fan blade 1 kW**  
Spare part for:  
445078 DA 800 LPC High Flow fan 230V1 50/60Hz

**525018 DA 800-7 fan blade**  
Spare part for:  
445095 DA 800-7 ON/OFF fan 400V3 50Hz spare part



**524048 DA 600 LPC motor 1300rpm 0.75kW 3x230V**  
Spare part for:  
445077 DA 800 LPC Low Energy fan 230V1 50/60Hz

**524054 DA 800 LPC motor 1300rpm 1,2kW 3x230V**  
Spare part for:  
445078 DA 800 LPC High Flow fan 230V1 50/60Hz



**445901 DA 600-1 motor 230V with condenser**  
Spare parts for DA 600-1 are being phased out.  
Alternative product is **445942 DA 600-1 fan V2 230V1, spare part.**

Spare part for:  
445082 DA 800-2 fan 230V 0.37kW spare part

**DA 800 fans****229311 M-Capacitor 20 mF**

Spare part for:

409126 ECT 800-6 fan 230 V 50 Hz

445082 DA 800-2 fan 230V 0.37kW spare part

**229317 M-capacitor 31.5 microF 450 V**

Spare part for:

409151 ECT 800-6 Triac/ON/OFF fan 230V1 50Hz

**445918 Rubber suspension kit, DA 600/820 fans****370067 Connection box 105x105x55**

Spare part for:

445082 DA 800-2 fan 230V 0.37kW spare part

## 4.32 DA 820 LPC fans

### DA 820 LPC fans



#### 445988 DA 820 LPC 10-3 controller 230V1 50/60Hz

Spare part for all DA 820 LPC 10 fan 230V1.

The product is being phased out.



#### 445989 DA 820 LPC 12-3 controller 230V1 50/60Hz

Spare part for all DA 820 LPC 12 fan 230V1.

The product is being phased out.



#### 445107 Line Reactor 3-phase 4.9mH 6A

Spare part for:

- 445126 DA 820 LPC 10-3 fan 230V1 50/60Hz
- 445136 DA 820 LPC 10-3 fan 230V1 50/60Hz TH
- 445127 DA 820 LPC 10-3 fan 400V3 50/60Hz
- 445129 DA 820 LPC 12-3 fan 400V3 50/60Hz



#### 445108 Line Reactor 3-phase 3.7mH 8A

Spare part for:

- 445128 DA 820 LPC 12-3 fan 230V1 50/60Hz
- 445139 DA 820 LPC 12-3 fan 230V1 50/60Hz TH

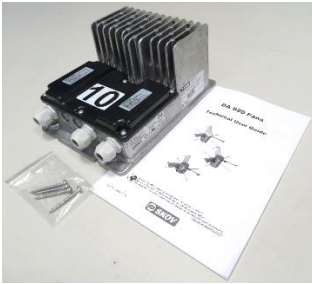


#### 445977 DA 820-10 LPC drive 1x230V 50/60Hz

Spare part for:

- 445026 DA 820 LPC 10 fan 230V1 50/60Hz
- 445036 DA 820 LPC 10 fan 230V1 50/60Hz TH

### DA 820 LPC fans



**445979 DA 820-10 LPC drive 3x400V 50/60Hz**

Spare part for:

445027 DA 820 LPC 10 fan 400V3 50/60Hz



**445978 DA 820-12 LPC drive 1x230V 50/60Hz**

Spare part for:

445028 DA 820 LPC 12 fan 230V1 50/60Hz

445038 DA 820 LPC 12 fan UV 230V1 50/60Hz

445039 DA 820 LPC 12 fan 230V1 50/60Hz TH



**445980 DA 820-12 LPC drive 3x400V 50/60Hz**

Spare part for:

445029 DA 820 LPC 12 fan 400V3 50/60Hz



**524061 DA 820 PM motor LPC incl/thermal cutout**

Spare part for:

445036 DA 820 LPC 10 fan 230V1 50/60Hz TH

445039 DA 820 LPC 12 fan 230V1 50/60Hz TH



**524063 DA 820 PM motor LPC D2**

Spare part for:

445038 DA 820 LPC 12 fan UV 230V1 50/60Hz

## DA 820 LPC fans

### 522504 DA 820 plastic plug for drain hole

Spare part for:

- 445026 DA 820 LPC 10 fan 230V1 50/60Hz
- 445027 DA 820 LPC 10 fan 400V3 50/60Hz
- 445028 DA 820 LPC 12 fan 230V1 50/60Hz
- 445029 DA 820 LPC 12 fan 400V3 50/60Hz
- 445126 DA 820 LPC 10-3 fan 230V1 50/60Hz
- 445127 DA 820 LPC 10-3 fan 400V3 50/60Hz
- 445128 DA 820 LPC 12-3 fan 230V1 50/60Hz
- 445129 DA 820 LPC 12-3 fan 400V3 50/60Hz



### 445918 Rubber suspension kit, DA 600/820 fans



### 520259 DA 820 LPC fan suspension

Spare part for all DA 820 LPC fans.



### 525021 DA 820 fan blade 50°

Spare part for:

- 445026 DA 820 LPC 10 fan 230V1 50/60Hz
- 445027 DA 820 LPC 10 fan 400V3 50/60Hz
- 445036 DA 820 LPC 10 fan 230V1 50/60Hz TH
- 445028 DA 820 LPC 12 fan 230V1 50/60Hz
- 445029 DA 820 LPC 12 fan 400V3 50/60Hz
- 445038 DA 820 LPC 12 fan UV 230V1 50/60Hz
- 445039 DA 820 LPC 12 fan 230V1 50/60Hz TH



### 445981 DA 820 PM motor cable 230V LPC 2 m

Spare part for:

- 445026 DA 820 LPC 10 fan 230V1 50/60Hz
- 445028 DA 820 LPC 12 fan 230V1 50/60Hz
- 445038 DA 820 LPC 12 fan UV 230V1 50/60Hz
- 445039 DA 820 LPC 12 fan 230V1 50/60Hz TH

### DA 820 LPC fans



#### 445983 DA 820 PM motor cable 230V LPC 5 m

Spare part for:

- 445026 DA 820 LPC 10 fan 230V1 50/60Hz
- 445028 DA 820 LPC 12 fan 230V1 50/60Hz
- 445038 DA 820 LPC 12 fan UV 230V1 50/60Hz
- 445039 DA 820 LPC 12 fan 230V1 50/60Hz TH



#### 445982 DA 820 PM motor cable 400V LPC 2 m

#### 445968 DA 820 PM motor cable 400V LPC 5 m

Spare part for:

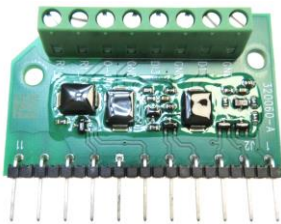
- 445027 DA 820 LPC 10 fan 400V3 50/60Hz
- 445029 DA 820 LPC 12 fan 400V3 50/60Hz



#### 110485 Sun cover f/DA 600/820 IV -3 controller

Spare part for all LPC-3 230V1.

The product is being phased out.



#### 445990 LPC-3 PCB module

Spare part for all LPC-3 230V1.



#### 409940 Fan fitting for PU ducting

Spare part for all LPC-3 230V1.



#### 526441 Raw fan suspension plastic

Spare part for all LPC-3 230V1.



### 4.33 445040 • DA 820F VFD fan high pressure

445040 • DA 820F VFD fan high pres. 400V3 50/60Hz

[Air outlet front page](#)



445997 DA 820F-2 HP drive 400V3 50/60Hz

---

520262 DA 820 HP fan suspension

---

520263 DA 820 HP ring for fan suspension

---

524066 DA 820 AC motor 2.2kW 4P 400V3 50Hz




---

525021 DA 820 fan blade 50°




---

520264 DA 820 high rpm hf fan suspension

Also order 1 pcs. 445919 per fan suspension.




---

445919 Rubber suspension kit f/ø16mm reinf. Leg

Spare part for:

520264 DA 820 high rpm hf fan suspension

---

## 4.34 445140 • DA 820F-3 VFD fan high pressure

**445140 • DA 820F-3 VFD fan high pressure 400V3 50/60Hz**

[Air outlet front page](#)

**445998 DA 820F-3 HP control 400V3 50/60Hz**

The product is being phased out.



**445997 DA 820F-2 HP drive 400V3 50/60Hz**

**520262 DA 820 HP fan suspension**

**520263 DA 820 HP ring for fan suspension**

**524066 DA 820 AC motor 2.2kW 4P 400V3 50Hz**



**525021 DA 820 fan blade 50°**

**520264 DA 820 high rpm hf fan suspension**

Also order 1 pc. 445919 per fan suspension.



**445919 Rubber suspension kit f/ø16mm reinf. Leg**

Spare part for:

520264 DA 820 high rpm hf fan suspension



**445107 Line Reactor 3-phase 4,9mH 6A**

Spare part for:

445140 DA 820F-3 VFD fan high pre 400V3 50/60Hz



## 4.35 ECT/DCT 820 fans

### ECT/DCT 820 fans



#### **345024 Rubber suspension for DA 820 ZA fans (set)**

Spare part for:

- 409013 ECT 820-6 Triac/ON/OFF fan 230V1 50Hz
- 409014 ECT 820-6 Triac/ON/OFF 230V1 60Hz cUL
- 409016 ECT 820-6 Triac/ON/OFF fan 230V1 60Hz
- 409015 DCT 820-6 ON/OFF fan 400V3 50Hz



#### **409940 Fan fitting for PU ducting**

Spare part for:

- 409013 ECT 820-6 Triac/ON/OFF fan 230V1 50Hz
- 409014 ECT 820-6 Triac/ON/OFF 230V1 60Hz cUL
- 409016 ECT 820-6 Triac/ON/OFF fan 230V1 60Hz
- 409015 DCT 820-6 ON/OFF fan 400V3 50Hz



#### **526441 Raw fan suspension plastic**

Spare part for:

- 409013 ECT 820-6 Triac/ON/OFF fan 230V1 50Hz
- 409014 ECT 820-6 Triac/ON/OFF 230V1 60Hz cUL
- 409016 ECT 820-6 Triac/ON/OFF fan 230V1 60Hz
- 409015 DCT 820-6 ON/OFF fan 400V3 50Hz

## 4.36 DA 820 fans

### DA 820 fans



#### 229321 M-Capacitor 40uF 450VAC

Spare part for:

524055 DA 820 AC motor, 1.1 KW, 4P, 230V, 50Hz

524056 DA 820 AC motor, 1.1 KW, 6P, 230V, 60Hz

524062 DA 820 AC motor 6P 230V 60Hz ext.therm



#### 524055 DA 820 AC motor, 1.1 KW, 4P, 230V, 50Hz

Spare part for:

445030 DA 820 ON/OFF fan High Flow 230V1 50Hz



#### 524056 DA 820 AC motor, 1.1 KW, 6P, 230V, 60Hz

Spare part for:

445031 DA 820 ON/OFF fan High Flow 230V1 60Hz

445034 DA 820 ON/OFF fan Low Energy 230V1 50Hz



#### 524057 DA 820 AC motor, 1.1 KW, 4P, 400V, 50Hz

Spare part for:

445032 DA 820 ON/OFF fan High Flow 400V3 50Hz



#### 524058 DA 820 AC motor, 1.1 KW, 6P, 400V, 60Hz

Spare part for:

445035 DA 820 ON/OFF fan Low Energy 400V3 50Hz

445033 DA 820 ON/OFF fan High Flow 400V3 60Hz



#### 524062 DA 820 AC motor 6P 230V 60Hz ext.therm

Spare part for:

445037 DA 820 ON/OFF fan Low En 230V1 50Hz TH

### DA 820 fans



#### 520260 DA 820 AC fan suspension

Spare part for all DA 820 ON/OFF fans.

#### 520264 DA 820 high rpm hf fan suspension

Also order 1 pcs. 445919 per fan suspension.



#### 445919 Rubber suspension kit f/ø16mm reinf. Leg

Spare part for:

520264 DA 820 high rpm hf fan suspension



#### 525021 DA 820 fan blade 50°

Spare part for:

445031 DA 820 ON/OFF fan High Flow 230V1 60Hz

445033 DA 820 ON/OFF fan High Flow 400V3 60Hz

445034 DA 820 ON/OFF fan Low Energy 230V1 50Hz

445035 DA 820 ON/OFF fan Low Energy 400V3 50Hz

445037 DA 820 ON/OFF fan Low En 230V1 50Hz TH



#### 525020 DA 820 fan blade 40°

Spare part for:

445030 DA 820 ON/OFF fan High Flow 230V1 50Hz

445032 DA 820 ON/OFF fan High Flow 400V3 50Hz

## 4.37 DA 920 fans

### DA 920 fans



#### **110431 Frequency converter FXDM5AM**

Spare part for:

409140 DCT 920-2F fan 400V incl. frequency inv.



#### **110417 Frequency converter FXDM2.5AM**

Spare part for:

409139 DCT 920-1F fan 400V incl. frequency inv.

## 4.38 DA 1700 wall fan

### DA 1700 wall fan



#### 524124 DA 1700 PM motor 230V 1.3kW

Spare part for:

- 435300 DA 1700-4 LPC 1x230V 50/60Hz
- 435304 DA 1700-5 LPC 1x230V 50/60Hz
- 435350 DA 1700-4 LPC 1x230V 50/60Hz w/wall cover
- 435354 DA 1700-5 LPC 1x230V 50/60Hz w/wall cover



#### 524131 DA 1700 PM motor 3x230V 2.3kW

Spare part for:

- 435321 DA 1700-4 LPC 3x230V 50/60Hz
- 435322 DA 1700-5 LPC 3x230V 50/60Hz
- 435323 DA 1700-6 LPC 3x230V 50/60Hz
- 435371 DA 1700-4 LPC 3x230V 50/60Hz w/wall cover
- 435372 DA 1700-5 LPC 3x230V 50/60Hz w/wall cover
- 435373 DA 1700-6 LPC 3x230V 50/60Hz w/wall cover
- 435369 DA 1700-6 LPC ACT 3x400V 50/60Hz w/cover



#### 524126 DA 1700 PM motor 400V 2.3kW

Spare part for:

- 435302 DA 1700-4 LPC 3x400V 50/60Hz
- 435306 DA 1700-5 LPC 3x400V 50/60Hz
- 435308 DA 1700-6 LPC 3x400V 50/60Hz
- 435352 DA 1700-4 LPC 3x400V 50/60Hz w/wall cover
- 435356 DA 1700-5 LPC 3x400V 50/60Hz w/wall cover
- 435358 DA 1700-6 LPC 3x400V 50/60Hz w/wall cover



#### 524125 DA 1700 PM motor 230V 1.3kW w/therm. Cutout

Spare part for:

- 435301 DA 1700-4 LPC 1x230V 50/60Hz w/Therm.cut
- 435305 DA 1700-5 LPC 1x230V 50/60Hz w/Therm.cut
- 435351 DA 1700-4 LPC 1x230V 50/60Hz therm, cover
- 435355 DA 1700-5 LPC 1x230V 50/60Hz therm, cover



#### 524127 DA 1700 PM motor 400V 2.3kW w/therm. Cutout

Spare part for:

- 435303 DA 1700-4 LPC 3x400V 50/60Hz w/Therm.cut
- 435307 DA 1700-5 LPC 3x400V 50/60Hz w/Therm.cut
- 435309 DA 1700-6 LPC 3x400V 50/60Hz w/Therm.cut
- 435353 DA 1700-4 LPC 3x400V 50/60Hz therm, cover
- 435357 DA 1700-5 LPC 3x400V 50/60Hz therm, cover
- 435359 DA 1700-6 LPC 3x400V 50/60Hz therm, cover

### DA 1700 wall fan



**435490 BF 50/55/DA 1700 PM motor cab. 4-core 4m**  
Spare part only for PM motors.



**435492 BF 55/DA 1700 PM/AC motor cable TH 4m**



**435491 BF 55/DA 1700 AC motor cable 4-core 4m**



**524130 DA 1700 AC motor 3x230V 2,2kW**

Spare part for:

435324 DA 1700-8 3x230V 60Hz

435374 DA 1700-8 3x230V 60Hz w/wall cov



**524128 DA 1700 AC motor 400V 2.2kW**

Spare part for:

435310 DA 1700-7 3x400V 50Hz

435312 DA 1700-8 3x400V 60Hz

435360 DA 1700-7 3x400V 50Hz w/wall cover

435362 DA 1700-8 3x400V 60Hz w/wall cover

435370 DA 1700-7 ACT 3x400V 50Hz w/wall cover



**524129 DA 1700 AC motor 400V 2.2kW w/Therm.cut**

Spare part for:

435311 DA 1700-7 3x400V 50Hz w/Therm.cut

435313 DA 1700-8 3x400V 60Hz w/Therm.cut

435361 DA 1700-7 3x400V 50Hz therm, cover

435363 DA 1700-8 3x400V 60Hz therm, cover



### DA 1700 wall fan



#### 110445 DA 1700-4 LPC drive 1x230V

Spare part for:

435300 DA 1700-4 LPC 1x230V 50/60Hz

435301 DA 1700-4 LPC 1x230V 50/60Hz w/Therm.cut

#### 110442 DA 1700-4 LPC drive 3x230V

Spare part for:

435321 DA 1700-4 LPC 3x230V 50/60Hz

#### 110447 DA 1700-4 LPC drive 3x400V

Spare part for:

435302 DA 1700-4 LPC 3x400V 50/60Hz

435303 DA 1700-4 LPC 3x400V 50/60Hz w/Therm.cut



#### 110446 DA 1700-5 LPC drive 1x230V

Spare part for:

435304 DA 1700-5 LPC 1x230V 50/60Hz

435305 DA 1700-5 LPC 1x230V 50/60Hz w/Therm.cut

#### 110441 DA 1700-5 LPC drive 3x230V

Spare part for:

435322 DA 1700-5 LPC 3x230V 50/60Hz

#### 110448 DA 1700-5 LPC drive 3x400V

Spare part for:

435306 DA 1700-5 LPC 3x400V 50/60Hz

435307 DA 1700-5 LPC 3x400V 50/60Hz w/Therm.cut



#### 110440 DA 1700-6 LPC drive 3x230V

Spare part for:

435323 DA 1700-6 LPC 3x230V 50/60Hz

435373 DA 1700-6 LPC 3x230V 50/60Hz w/wall cover

#### 110449 DA 1700-6 LPC drive 3x400V

Spare part for:

435308 DA 1700-6 LPC 3x400V 50/60Hz

435309 DA 1700-6 LPC 3x400V 50/60Hz w/Therm.cut

435369 DA 1700-6 LPC ACT 3x400V 50/60Hz w/cover



#### 435894 DA 1700 LPC-6 control 230V3 50/60Hz

Spare part for:

435347 DA 1700-6 LPC -3 230V3 50/60Hz

### DA 1700 wall fan



**435893 DA 1700 LPC-6 control 400V3 50/60Hz**

Spare part for:

435344 DA 1700-6 LPC -3 400V3 50/60Hz

435345 DA 1700-6 LPC -3 400V3 50/60Hz thermo

435346 DA 1700-6 LPC -3 ACT 400V3 50/60Hz



**445107 Line Reactor 3-phase 4.9mH 6A**

Spare part for:

435344 DA 1700-6 LPC -3 400V3 50/60Hz

435345 DA 1700-6 LPC -3 400V3 50/60Hz thermo

435346 DA 1700-6 LPC -3 ACT 400V3 50/60Hz



**445108 Line Reactor 3-phase 3.7mH 8A**

Spare part for:

435347 DA 1700-6 LPC -3 230V3 50/60Hz



**435990 DA 1700 cUL Protection Box**



**435500 DA 1700 actu. parts f/shutt. LPC w/screws**

Spare part for all DA 1700 wall fans with steel center pillar.

Includes bolts for assembly.



**435502 DA 1700 actu. part f/alu shut LPC w/screw**

Spare part for all DA 1700 wall fans with alu center pillar.

Includes bolts for assembly.



**DA 1700 wall fan****280041 Power supply isolator 25A 3P**

Spare part for all DA 1700 wall fans.

**435991 DA 1700 MK II LPC shutter upgrade****435992 DA 1700 MK II ON/OFF shutter upgrade****435989 DA 1700 connection spring kit x 5**

Spare part for AC motors only.

**521422 DA 1700 center pillar alu**

Spare part for all DA 1700 wall fans with alu center pillar.

**522420 DA 1700 shutter lock**

### DA 1700 wall fan



#### 521425 BF 55/DA 1700 alu shut.lock f/alu pillar

Spare part for all DA 1700 wall fans with alu center pillar.



#### 520098 DA 1700 shim repair piece top

#### 520099 DA 1700 shim repair piece bottom

520098 DA 1700 shim repair piece top and 520099 shim repair piece bottom is for repairing fan duct where the shutter is mounted on steel center pillar.



#### 525046 DA 1700 LPC impeller

Spare part for all DA 1700 LPC fans.

Pitch color: Yellow.



#### 525047 DA 1700-7 impeller

Spare part for all DA 1700-7 fans.

Pitch color: Purple.



#### 525048 DA 1700-8 impeller

Spare part for all DA 1700-8 fans

Pitch color: Green.



**DA 1700 wall fan****525025 BF center cover hub****522345 Spline 8x7x50****435377 DA 1700 pitch 1400/3-3LP/31/PPG/9W2L**

Spare part for:

525015 DA 1700 fan blade 1400/3-3LP/31/PPG/9W2L

**435376 DA 1700 pitch 1400/3-3LP/25/PPG/9W2L**

Spare part for:

525014 DA 1700 fan blade 1400/3-3LP/25/PPG/9W2L

**435378 DA 1700 pitch 1400/3-3LP/34/PPG/7WL**

Spare part for:

525016 DA 1700 fan blade 1400/3-3LP/34/PPG/7WL

**522408 BF 55/DA 1700 front panel**

Spare part for all DA 1700 wall fans.

Order 4 pcs. per fan.

**560288 DA 1700 lifting kit**

Spare part for all DA 1700 wall fans.

### DA 1700 wall fan



#### 560281 DA 1700 mounting parts

Spare part for all DA 1700 wall fans.

Includes:

- 3 x Cable ties 188 x 4,8mm, black
- 2 x Cable ties w/foot/base 148x3. for  $\phi 4.5$
- 59 x Lock nut M6 A2 DIN985
- 4 x Washer  $\phi 6.4/\phi 40 \times 1.5$  A2
- 117 x Washer  $\phi 6.4/\phi 18 \times 1.2$  A2 NFE25-514L
- 1 x Washer  $\phi 10.5/\phi 45 \times 3$  A2
- 11 x Hex screw part thread M6x80 A2 DIN931
- 46 x Hex screw fully threaded M6x25 A2 DIN933
- 2 x Hex screw part threaded M6x50 A2 DIN931
- 1 x Hex screw fully thread M10x25 A2 DIN933
- 2 x Washer  $\phi 6.4/\phi 30 \times 1,5$  A2
- 1 x DA 1700 Mounting parts, Safety net inside
- 1 x DA 1700 mounting strap for inside net
- 44 x Bushing  $\phi 6/\phi 10 \times 11.6$  A2
- 11 x Bushing  $\phi 6/\phi 10 \times 69.6$  A2
- 4 x Bushing  $\phi 6.4/\phi 10 \times 5.7$  A2
- 2 x Bushing  $\phi 6/\phi 10 \times 39.6$  A2



#### 560282 DA 1700 mounting parts, safety net inside

Spare part for all DA 1700 wall fans.



#### 435909 DA 1700 mounting strap 10 pcs.

Including washers and screws.

For mounting of inside safety net.



#### 560283 DA 1700 mounting parts, safety net outside

Spare part for all DA 1700 wall fans.



#### 522411 DA 1700 motor suspension incl. cover

Spare part for all DA 1700 wall fans.

Order 4 per fan.



#### 522414 BF 55/DA 1700 shutter

Order 2 per fan.

**DA 1700 wall fan****522415 DA 1700 diffuser**

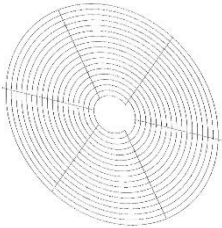
Spare part for all DA 1700 wall fans.

**522410 DA 1700 fan duct ex. motor suspension**

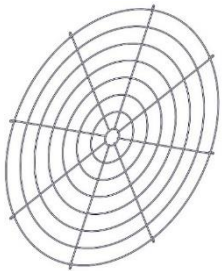
Spare part for all DA 1700 wall fans.

**522409 DA 1700 fan duct incl. motor suspension**

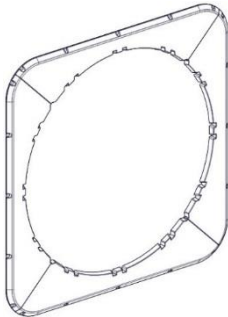
Spare part for all DA 1700 wall fans.

**435314 DA 1700 safety net inside**

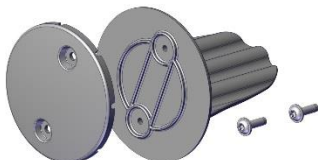
Spare part for all DA 1700 wall fans.

**435327 DA 1700 safety net outside**

Spare part for all DA 1700 wall fans.

**435316 DA 1700 wall cover**

Spare part for all DA 1700 wall fans.

**435988 DA 1700 storm protection for outside net**

### DA 1700 wall fan



435337 DA 1700 storm protection wire f/diffusor



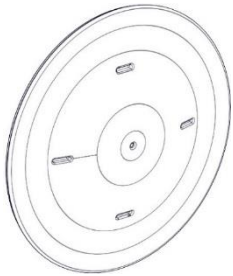
432984 DA 1700 shutter motor



435984 DA 1700 shutter PCB incl. motor



445076 LPC-2 relay module



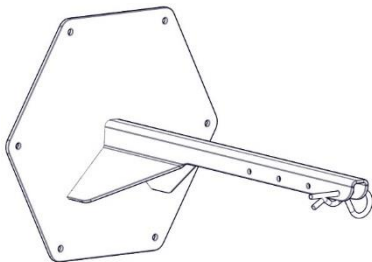
435317 DA 1700 insulation plate



560327 DA 1700 mounting kit f/insulation plate



560326 DA 1700 sealing kit for insulation plate



435328 DA 1700 bracket for insulation plates

### DA 1700 wall fan



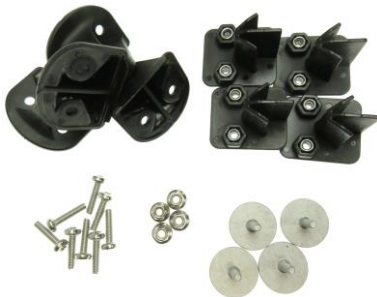
435375 DA 1700 outside suspension



435340 DA 1700 magnet and tool kit



435339 DA 1700 magnet tool kit



435338 DA 1700 magnet kit



435993 DA 1700 rep. kit for fan duct 5 pc.

To be used in case of broken fixation points for inside net.

435343 DA 1700 repair kit f/motor susp. 12 pc.



### DA 1700 wall fan



#### 435319 DA 1700 screw kit

DA 1700 screw kit can be used for mounting of DA 1700 in the wall.

Order one per wall fan.

Order one per wall cover.

Includes:

21 x Tapping screw 4.8x70 pan TX25 A2 ISO14585C

21 x Washer  $\phi 6.4/\phi 18 \times 1.6$  A2 DIN9021



#### 435334 DA 1700 ACT shutter retrofit kit



#### 504058 DA 1700 dual act. bracket f. center pillar



#### 504059 DA 1700 dual act. bracket f. shutters A2

Order 2 per fan.



#### 524119 Dual actuator, on-off

Order 2 per fan.



#### 435332 DA 1700 mounting parts for retrofit kit



#### 531142 Pipe split pin 10x40 mm A2

Order 2 per fan.



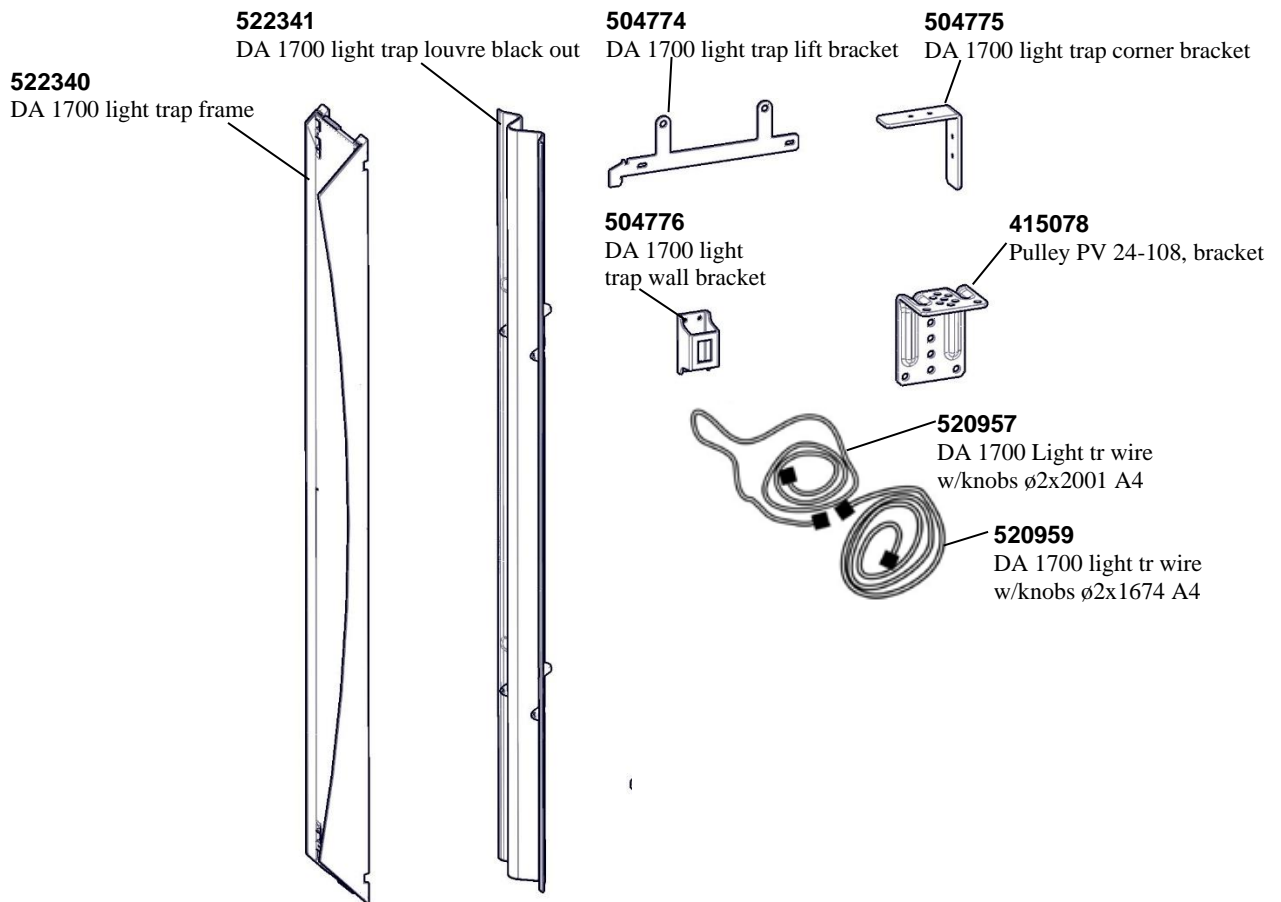
**DA 1700 wall fan****435368 DA 1700 support kit****435996 BF 55/DA 1700 dual actuator control box**  
Including 435333 BF 55/DA 1700 ACT shutter control module.**435333 BF 55/DA 1700 ACT shutter control module****435331 DA 1700 shutter repair kit**

**DA 1700 wall fan**

435325 DA 1700 Light trap black out

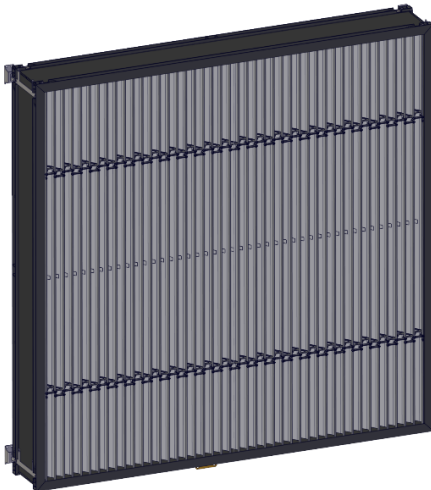


**DA 1700 Light trap black out**

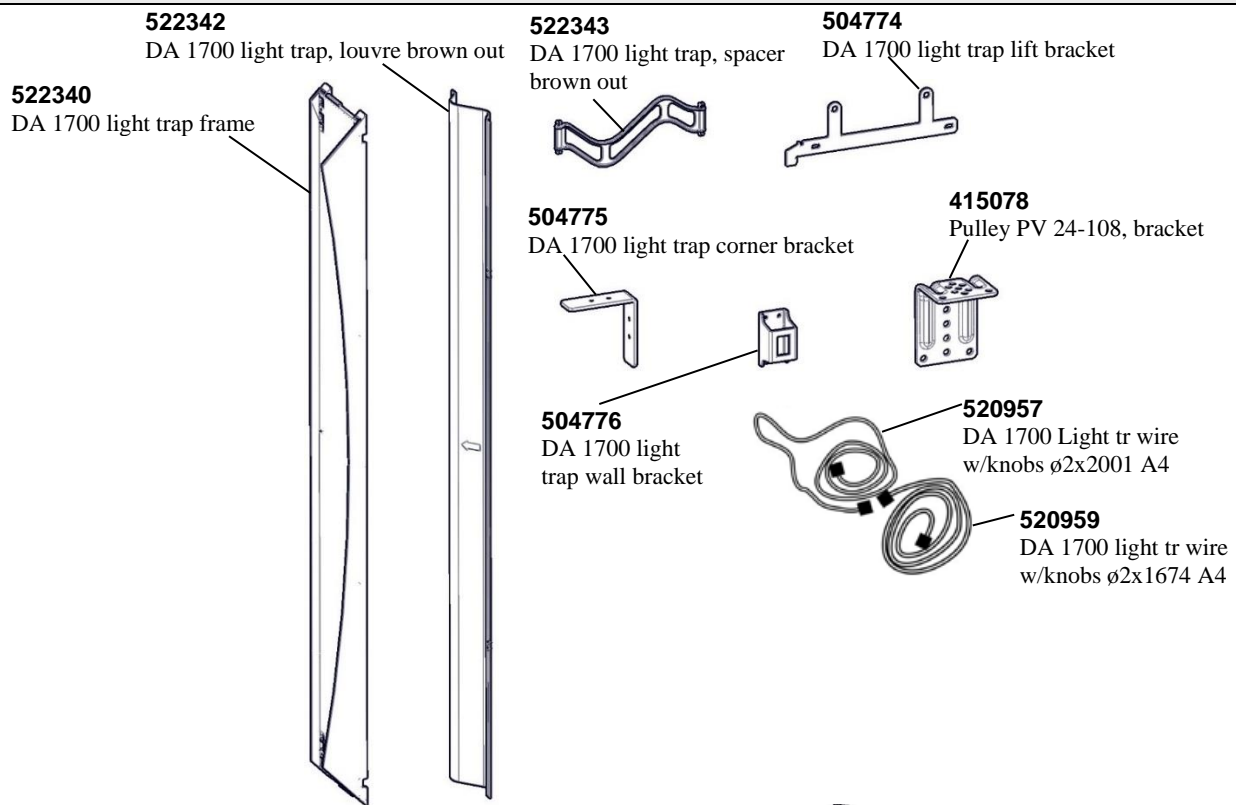


**DA 1700 wall fan**

**435326 DA 1700 Light trap brown out**

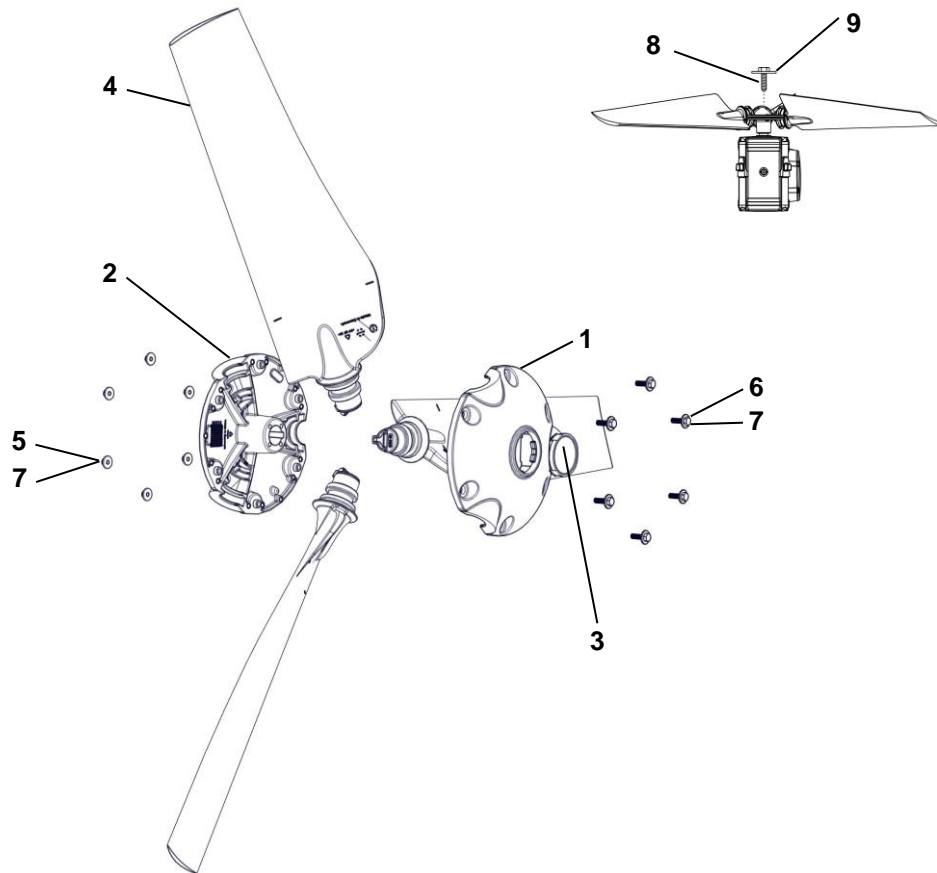





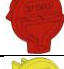

**DA 1700 Light trap brown out**



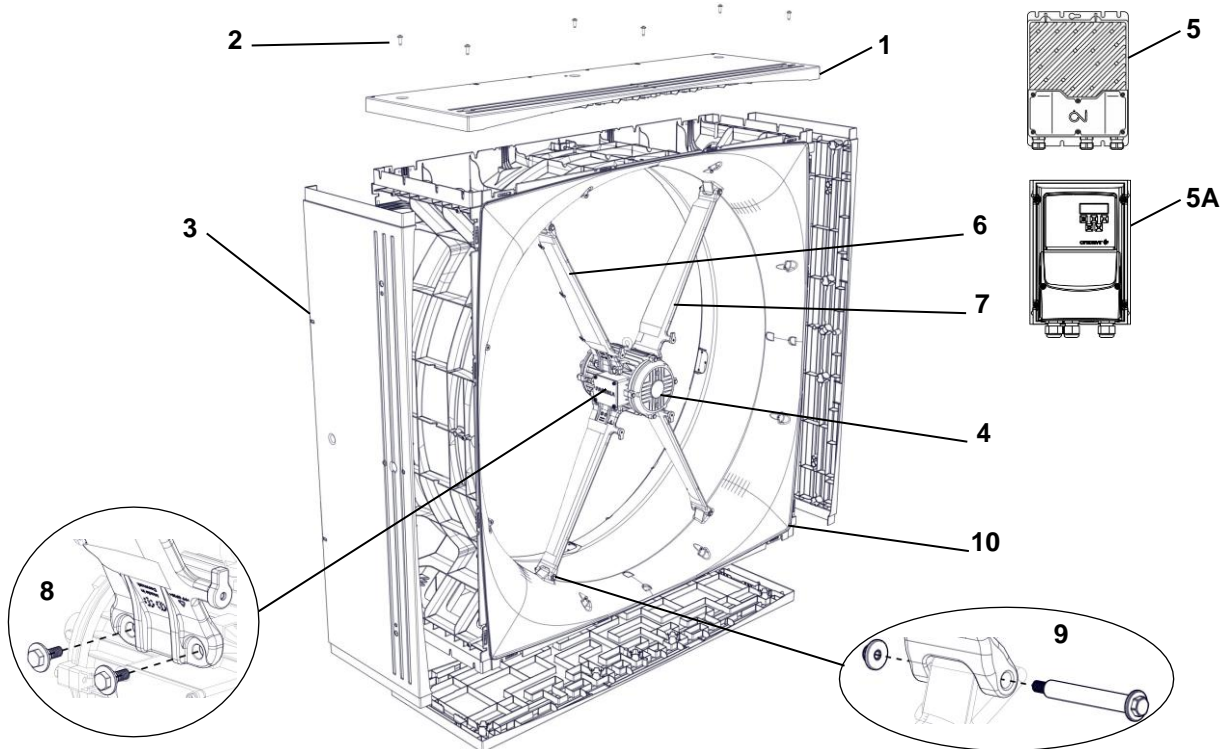
## 4.39 BF 50 wall fan

## BF 50 impeller kit



Pos.	Quantity	Item no.	Description
	1	435427	BF 50 impeller kit 40 LPC 
	1	435428	BF 50 impeller kit 39 3x400 50Hz AC 
	1	435429	BF 50 impeller kit 33 3x230/400 60Hz AC 
	1	435430	BF 50 impeller kit 37 1x230V 50Hz AC 
	1	435431	BF 50 impeller kit 31 1x230V 60Hz AC 
1	1		BF hub front
2	1		BF hub rear alu
3	1	525025	BF center cover hub
4	3		BF 50 fan blade with pitch adapter
5	6		Lock nut M6 A2 DIN985
6	6		Hex screw fully threaded M6x25 A2 DIN933
7	12		Washer $\varnothing 6.4/\varnothing 18 \times 1.2$ A2 NFE25-514L
8	1		Hex screw fully thread M10x25 A2 DIN933
9	1		Washer $\varnothing 10.5/\varnothing 45 \times 3$ A2

## BF 50 panel/BF 50 motor

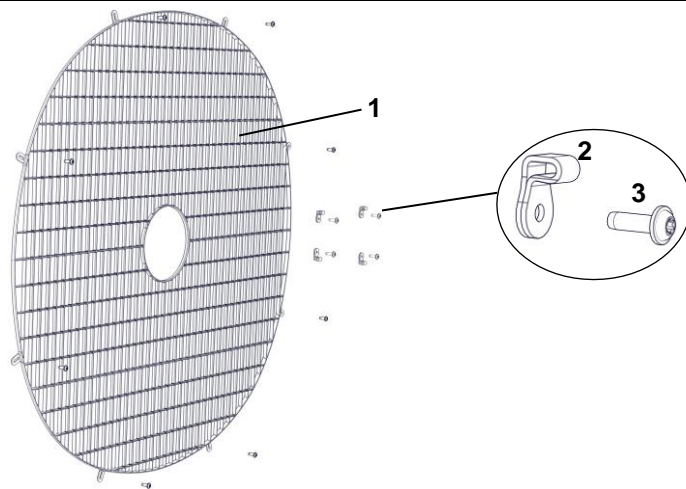


Pos.	Quantity	Item no.	Description
1	2	522606	BF 50 top/bottom panel
2	1	352759	PT screw 6x20 delta flange TX30 A2 WN5451
3	2	522607	BF 50 side panel
4	1	524150	BF 50 PM motor LPC 230V 1.5kW
4	1	524152	BF 50 PM motor LPC 400V 1.5kW
4	1	524154	BF 50 AC motor 1x230V 1.5Hp 50/60Hz
4	1	435887	BF 50 AC Motor 1x230V 1.5Hp 50/60Hz
4	1	435885	BF 50 AC motor 400V3 1.5Hp 50/60Hz w/doc
4	1	435886	BF 50 AC motor 230V3 1.5Hp 50/60Hz w/doc
4	1	435888	BF 50 AC motor 400V3 1.5Hp TH w/doc
5	1	435660	BF 50 LPC drive LE 1x230V 50/60Hz SP
5	1	435661	BF 50 LPC drive LE 3x400V 50/60Hz SP
5	1	435662	BF 50 LPC drive LE 3x230V 50/60Hz SP
5	1	435663	BF 50 LPC drive HF 3x400V 50/60Hz SP
5A	1	**435896	BF 50 LPC LE control 230V3 50/60Hz
5A	1	**435897	BF 50 LPC HF control 400V3 50/60Hz
5A	1	**435898	BF 50 LPC LE control 400V3 50/60Hz
5A	1	**435899	BF 50 LPC LE control 230V1 50/60Hz
	1	435435	BF 50 motor suspension kit complete
6	2		BF 50 motor suspension 1
7	2		BF 50 motor suspension 2
8	8		Hex screw fully threaded M8x20 A2 DIN933
8	8		Washer $\varnothing 8.4/\varnothing 24 \times 2$ A2 DIN9021

BF 50 panel/BF 50 motor			
8	8		Bushing $\varnothing 8/\varnothing 12 \times 7.7$ A2
9	4		Hex screw part thread M6x80 A2 DIN931
9	4		Lock nut M6 A2 DIN985
9	8		Washer $\varnothing 6.4/\varnothing 18 \times 1.2$ A2 NFE25-514L
9	4		Bushing $\varnothing 6/\varnothing 10 \times 69.6$ A2
10	1	522605	BF 50 box

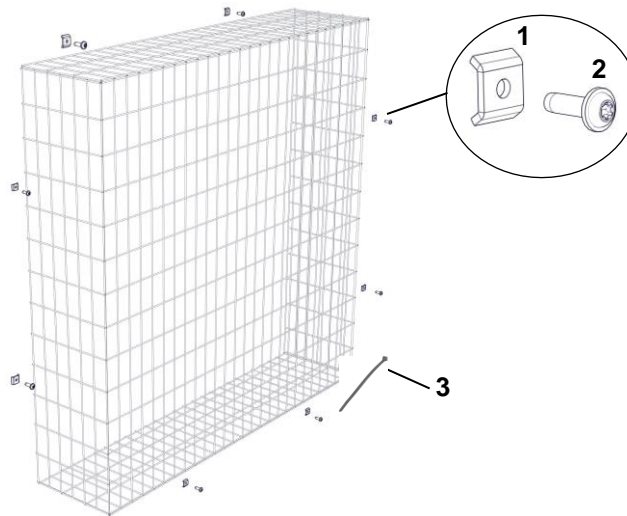
**\*\*The product is being phased out.**

### BF 50 safety net inside



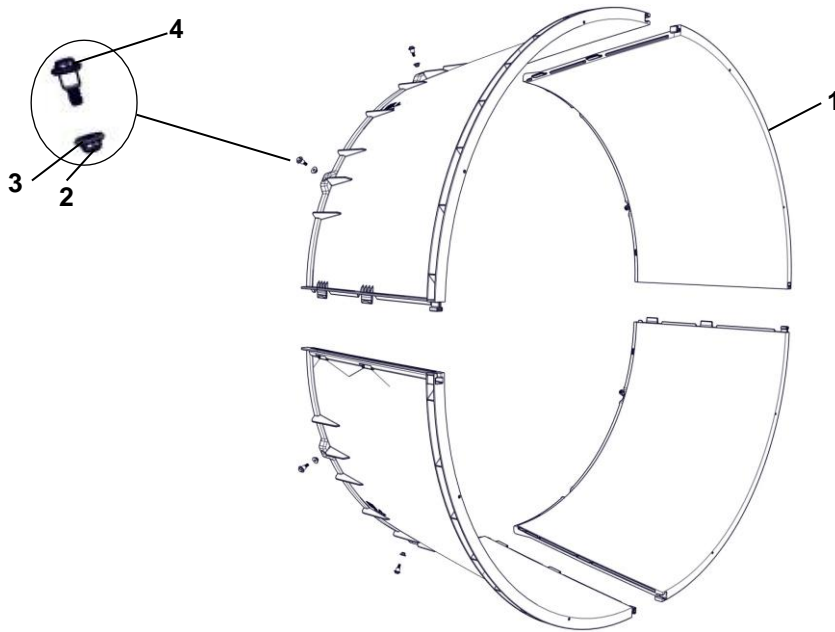
Pos.	Quantity	Item no.	Description
		435437	BF 50 safety net kit inside
1	1		BF 50 safety net inside
	1		BF 50 mounting parts f/safety net inside
		560387	BF 50 mounting parts f/safety net inside
2	4		BF 50 mounting strap for inside net
3	12		PT screw 6x20 delta flange TX30 A2 WN5451

**BF 50 kit f/safety net outside without cone**



Pos.	Quantity	Item no.	Description
		560384	BF 50 kit f/safety net outside w/o cone
<b>1</b>	8		BF 50 clip for outside net
<b>2</b>	8		PT screw 6x20 delta flange TX30 A2 WN5451
<b>3</b>	8		Cable ties 200 x 4,8mm, black
	1		Torx bit TX30

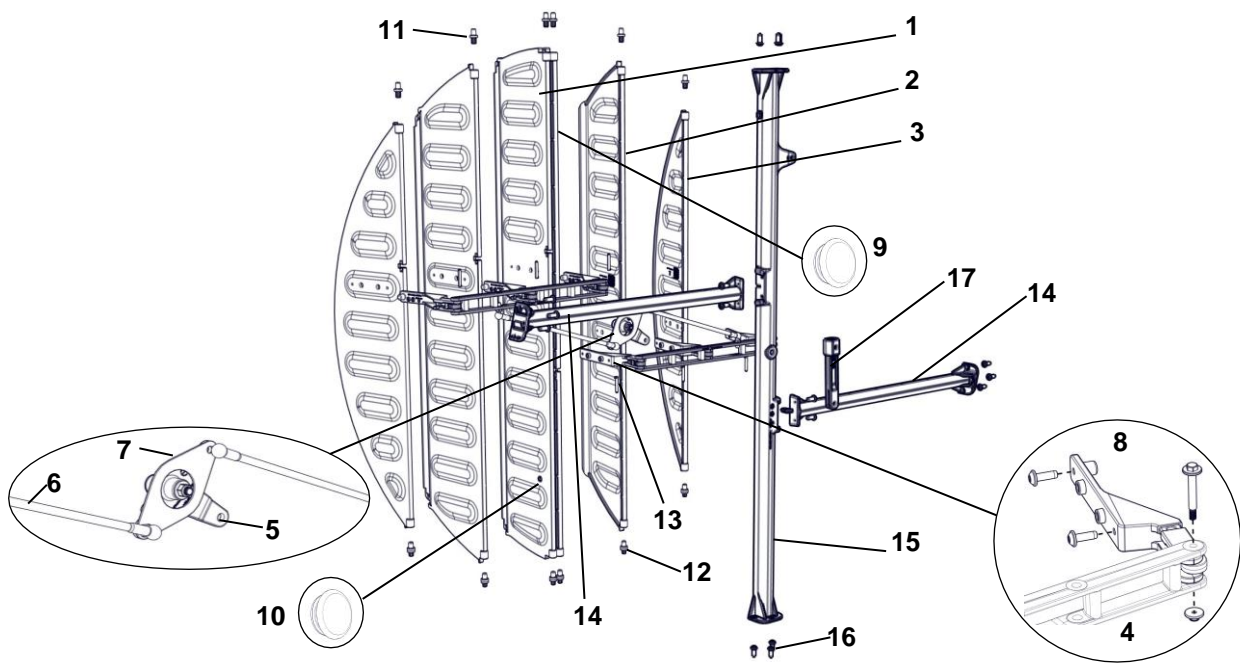
## BF 50 cone



Pos.	Quantity	Item no.	Description
1	1	522629	BF 50 cone ¼ (order 4 pcs. per fan)
	1	560383	BF 50 mounting kit for cone
2	8		Lock nut M6 A2 DIN985
3	8		Washer $\varnothing 6.4/\varnothing 18 \times 1.2$ A2 NFE25-514L
4	8		Screw M6/ $\varnothing 10 \times 11.6$ w/ $\varnothing 18$ flange A2 spec.



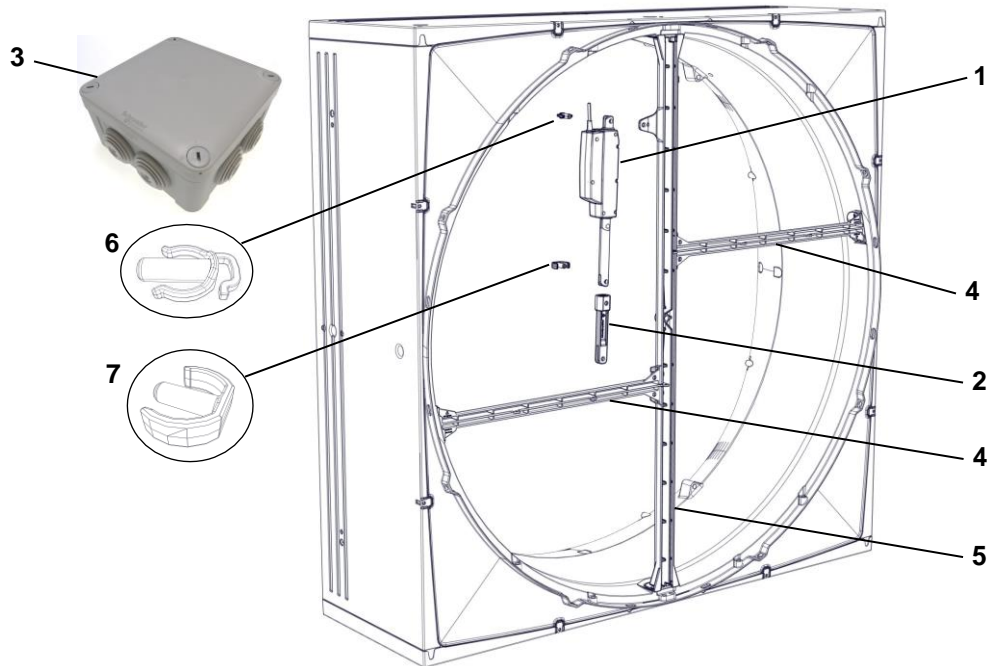
**BF 50 shutter**



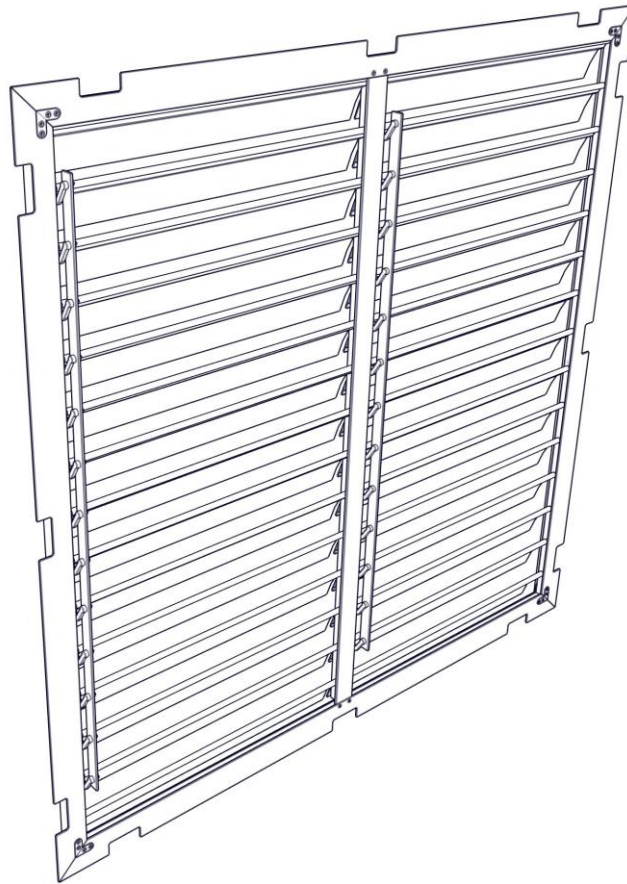
Pos.	Quantity	Item no.	Description
1	1	522613	BF 50 shutter part big
2	1	522614	BF 50 shutter part medium
3	1	522615	BF 50 shutter part small
4	1	522616	BF 50 shutter link
5	1	522617	BF 50 rotation lock
6	1	504792	BF 50 link w/ball joint A2
7	1	504064	BF 50 reinforcement for rot. lock A2
8	1	435426	BF 50 shutter bracket kit complete
8	1		BF 50 shutter bracket complete
8	2		PT screw 6x20 delta flange TX30 A2 WN5451
		435425	BF 50 parts f/motor-controlled shutter
1	2		BF 50 shutter part big
2	2		BF 50 shutter part medium
3	2		BF 50 shutter part small
4	2		BF 50 shutter link
9	1		BF 50 blanking plug shutter yellow
10	1		BF 50 blanking plug shutter black
5	1		BF 50 rotation lock
7	1		BF 50 reinforcement for rot. lock A2
11	6		BF 50 shim top
12	6		BF 50 shim bottom
13	6		BF 50 pin for shutter
	1		BF 50 actuator link (see pos. 2 in BF 50 actuator/center pillar)
	1		BF 50 actuator pin 1 (see pos. 6 in BF 50 actuator/center pillar)
	1		BF 50 actuator pin 2 (see pos. 7 in BF 50 actuator/center pillar)

<b>BF 50 shutter</b>			
<b>7</b>	6		BF 50 shutter bracket complete
<b>6</b>	2		BF 50 link w/ball joint A2
	1		BF 50 mount. kit motor controlled shutter
<b>14</b>	2		BF 50 center pillar horizontal
<b>15</b>	1		BF 50 center pillar vertical
		435433	BF 50 shim kit
<b>11</b>	6		BF 50 shim top
<b>12</b>	6		BF 50 shim bottom
<b>13</b>	6		BF 50 pin for shutter
	1	435436	BF 50 center pillar kit
<b>14</b>	2		BF 50 center pillar horizontal
<b>15</b>	1		BF 50 center pillar vertical
<b>16</b>	16		PT screw 6x20 delta flange TX30 A2 WN5451
<b>17</b>	1	522623	BF 50 actuator link

### BF 50 actuator/center pillar

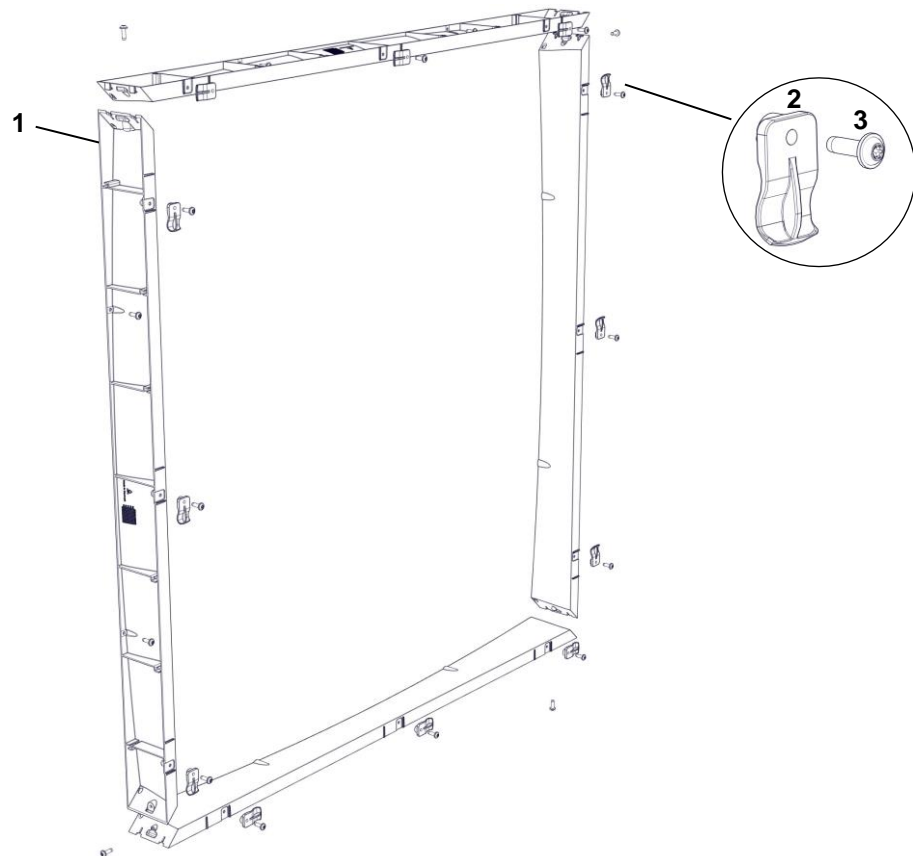


Pos.	Quantity	Item no.	Description
1	1	524116	BF 50 LPC actuator, timed control
1	1	524117	BF 50 ON/OFF actuator
1	1	524118	BF 50 LPC actuator, stepless
2	1	522623	BF 50 actuator link
3	1	435994	BF 50 ON/OFF actuator control box
4+5	1	435436	BF 50 center pillar kit
4	2		BF 50 center pillar horizontal
5	1		BF 50 center pillar vertical
	16		PT screw 6x20 delta flange TX30 A2 WN5451
		435434	BF 50 blanking plug and pin kit 5 pcs.
	5		BF 50 blanking plug shutter black (see pos. 8 in BF 50 shutter)
	5		BF 50 blanking plug shutter yellow (see pos. 8 in BF 50 shutter)
6	5		BF 50 actuator pin 1
7	5		BF 50 actuator pin 2

**BF 50 air controlled shutter module**

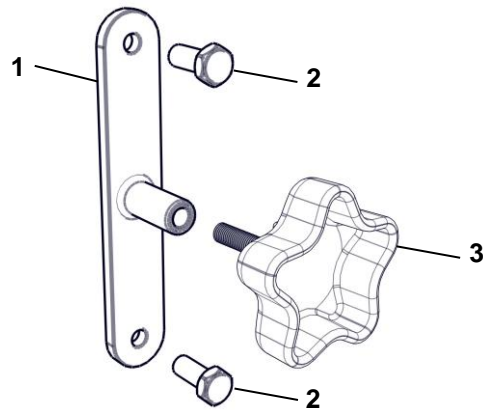
Pos.	Quantity	Item no.	Description
	1	522630	BF 50 air controlled shutter module

## BF 50 frame for air controlled shutter



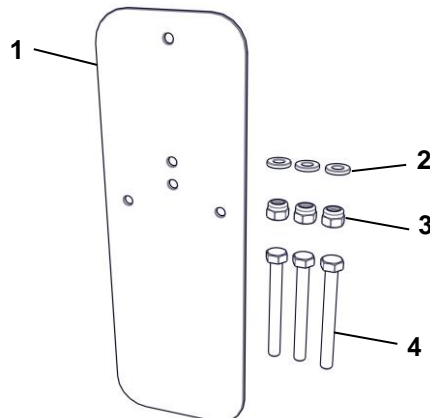
Pos.	Quantity	Item no.	Description
	1	522632	BF 50 frame comp f/air-controlled shutter
<b>1</b>	4		BF 50 adapter for air controlled shutter
<b>2</b>	1		BF 50 clip, air controlled shutter 12 pcs
<b>3</b>	24		PT screw 6x20 delta flange TX30 A2 WN5451
	1		Torx bit TX30
		435432	BF 50 clip kit f/air controlled shutter
<b>2</b>	1		BF 50 clip, air controlled shutter 12 pcs
<b>3</b>	12		PT screw 6x20 delta flange TX30 A2 WN5451

### BF 50 insulation plate



Pos.	Quantity	Item no.	Description
	1	560388	BF 50 mounting kit for insulation plate
1	1		BF 50 holder for insulation plate, A2
2	1		Handle w/thread f/insulation plate lock
3	2		Hex screw fully threaded M6x16 A2 DIN933

### BF 50 support bracket



Pos.	Quantity	Item no.	Description
	1	435438	BF 50 support bracket kit f/air shutter
1	1		BF 50 support bracket f/air shutter, A2
2	3		Washer $\varnothing 6.4/\varnothing 12 \times 1.6$ A2 DIN125A
3	3		Lock nut M6 A2 DIN985
4	3		Hex screw fully threaded M6x60 A2 DIN933

**Line Reactor****445107 Line Reactor 3-phase 4.9mH 6A**

Spare part for:

435424 BF 50 LPC -3 ON/OFF LE 400V3 50/60Hz

435423 BF 50 LPC -3 VAR LE 400V3 50/60Hz

435412 BF 50 LPC -3 ON/OFF LE 230V3 50/60Hz

435411 BF 50 LPC -3 VAR LE 230V3 50/60Hz

435414 BF 50 LPC -3 recirc. LE 400V3 50/60Hz

**445108 Line Reactor 3-phase 3.7mH 8A**

Spare part for:

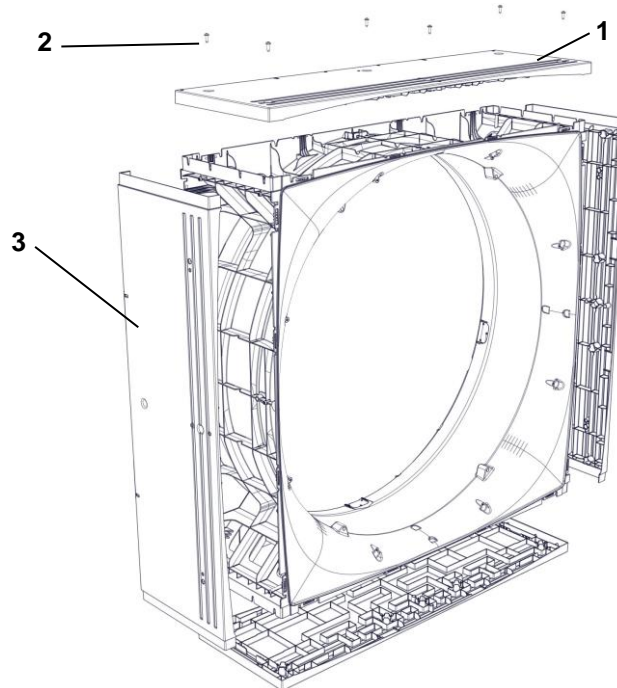
435444 BF 50 LPC -3 ON/OFF LE 230V1 50/60Hz

435443 BF 50 LPC -3 VAR LE 230V1 50/60Hz

435446 BF 50 recirc. LE 230V1 50/60Hz

#### 4.40 BF 50 shutter with actuator and cone

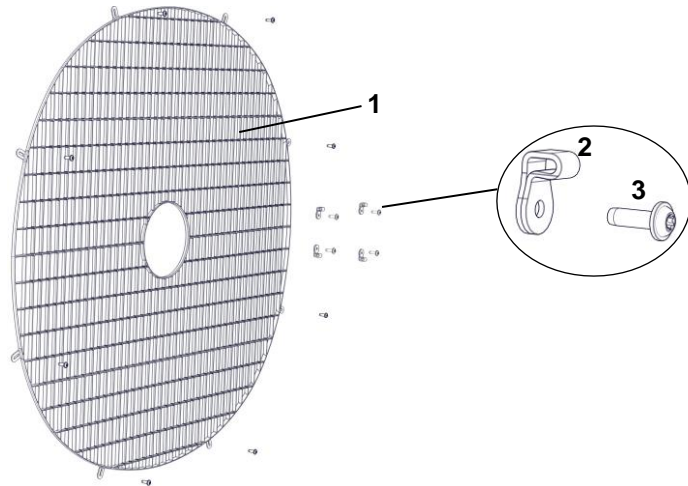
##### BF 50 panel/BF 50 motor



Pos.	Quantity	Item no.	Description
1	2	522606	BF 50 top/bottom panel
2	1	352759	PT screw 6x20 delta flang TX30 A2 WN5451
3	2	522607	BF 50 side panel

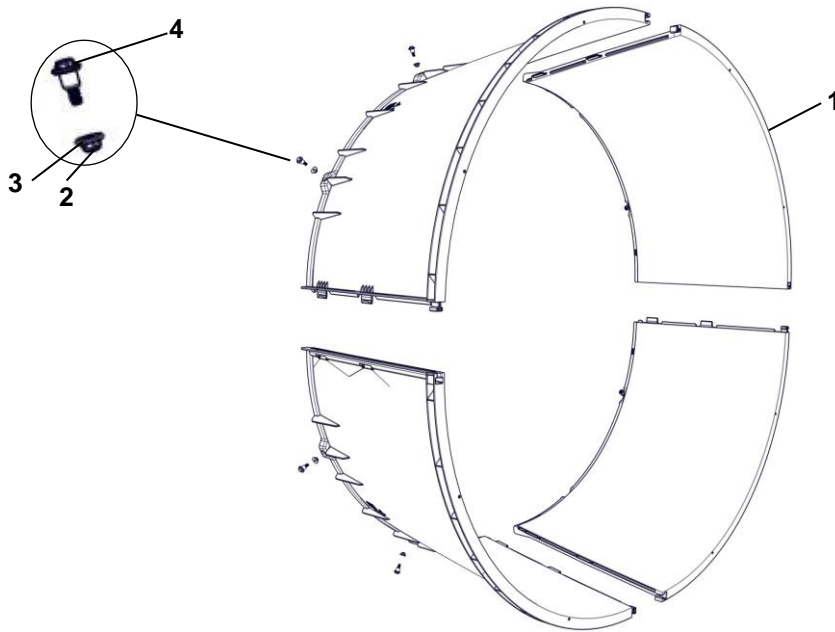


**BF 50 safety net inside**



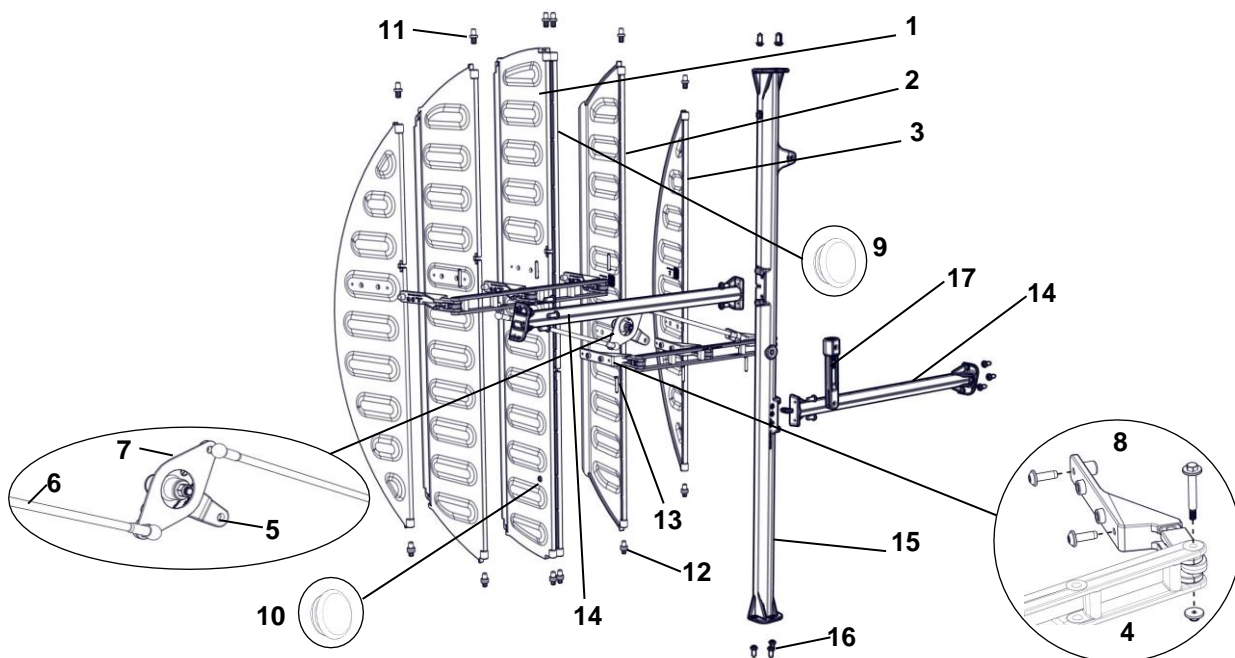
Pos.	Quantity	Item no.	Description
		435437	BF 50 safety net kit inside
<b>1</b>	1		BF 50 safety net inside
	1		BF 50 mounting parts f/safety net inside
		560387	BF 50 mounting parts f/safety net inside
<b>2</b>	4		BF 50 mounting strap for inside net
<b>3</b>	12		PT screw 6x20 delta flange TX30 A2 WN5451

## BF 50 cone



Pos.	Quantity	Item no.	Description
1	1	522629	BF 50 cone ¼ (order 4 pcs. per fan)
	1	560383	BF 50 mounting kit for cone
2	8		Lock nut M6 A2 DIN985
3	8		Washer $\varnothing 6.4/\varnothing 18 \times 1.2$ A2 NFE25-514L
4	8		Screw M6/ $\varnothing 10 \times 11.6$ w/ $\varnothing 18$ flange A2 spec.

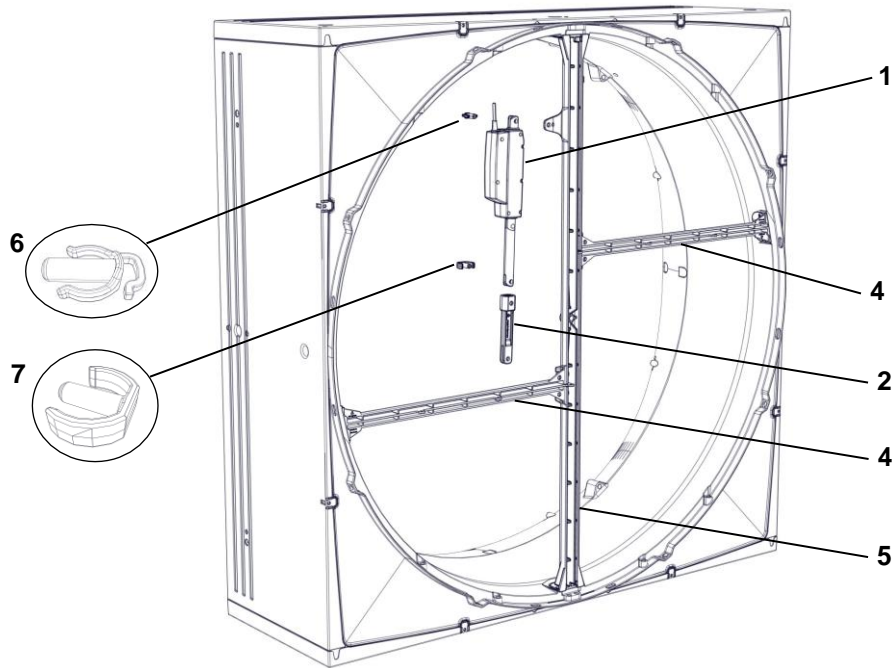
## BF 50 shutter



Pos.	Quantity	Item no.	Description
1	1	522613	BF 50 shutter part big
2	1	522614	BF 50 shutter part medium
3	1	522615	BF 50 shutter part small
4	1	522616	BF 50 shutter link
5	1	522617	BF 50 rotation lock
6	1	504792	BF 50 link w/ball joint A2
7	1	504064	BF 50 reinforcement for rot. lock A2
8	1	435426	BF 50 shutter bracket kit complete
8	1		BF 50 shutter bracket complete
8	2		PT screw 6x20 delta flange TX30 A2 WN5451
		435425	BF 50 parts f/motor-controlled shutter
1	2		BF 50 shutter part big
2	2		BF 50 shutter part medium
3	2		BF 50 shutter part small
4	2		BF 50 shutter link
9	1		BF 50 blanking plug shutter yellow
10	1		BF 50 blanking plug shutter black
5	1		BF 50 rotation lock
7	1		BF 50 reinforcement for rot. lock A2
11	6		BF 50 shim top
12	6		BF 50 shim bottom
13	6		BF 50 pin for shutter
	1		BF 50 actuator link (see pos. 2 in BF 50 actuator/center pillar)
	1		BF 50 actuator pin 1 (see pos. 6 in BF 50 actuator/center pillar)
	1		BF 50 actuator pin 2 (see pos. 7 in BF 50 actuator/center pillar)

<b>BF 50 shutter</b>			
<b>7</b>	6		BF 50 shutter bracket complete
<b>6</b>	2		BF 50 link w/ball joint A2
	1		BF 50 mount. kit motor controlled shutter
<b>14</b>	2		BF 50 center pillar horizontal
<b>15</b>	1		BF 50 center pillar vertical
		435433	BF 50 shim kit
<b>11</b>	6		BF 50 shim top
<b>12</b>	6		BF 50 shim bottom
<b>13</b>	6		BF 50 pin for shutter
	1	435436	BF 50 center pillar kit
<b>14</b>	2		BF 50 center pillar horizontal
<b>15</b>	1		BF 50 center pillar vertical
<b>16</b>	16		PT screw 6x20 delta flange TX30 A2 WN5451
<b>17</b>	1	522623	BF 50 actuator link

### BF 50 actuator/center pillar



Pos.	Quantity	Item no.	Description
1	1	524116	BF 50 LPC actuator, timed control
1	1	524118	BF 50 LPC actuator, stepless
2	1	522623	BF 50 actuator link
4+5	1	435436	BF 50 center pillar kit
4	2		BF 50 center pillar horizontal
5	1		BF 50 center pillar vertical
	16		PT screw 6x20 delta flange TX30 A2 WN5451
		435434	BF 50 blanking plug and pin kit 5 pcs.
	5		BF 50 blanking plug shutter black (see pos. 8 in BF 50 shutter)
	5		BF 50 blanking plug shutter yellow (see pos. 8 in BF 50 shutter)
6	5		BF 50 actuator pin 1
7	5		BF 50 actuator pin 2

## 4.41 BF 55 wall fan

### BF 55 controller



#### 435519 BF 55 LPC -3 LE control 230V1 50/60Hz

Spare part for:

435504 BF 55 LPC -3 LE 230V1 50/60Hz 1 pc.

435510 BF 55 LPC -3 LE 230V1 50/60Hz 2 pcs.

The product is being phased out.



#### 435520 BF 55 LPC -3 HF control 230V3 50/60Hz

Spare part for:

435505 BF 55 LPC -3 HF 230V3 50/60Hz 1 pcs.

435511 BF 55 LPC -3 HF 230V3 50/60Hz 2 pcs.

The product is being phased out.



#### 435521 BF 55 LPC -3 HF control 400V3 50/60Hz

Spare part for:

435506 BF 55 LPC -3 HF 400V3 50/60Hz 1 pcs.

435507 BF 55 LPC -3 HF 400V3 50/60Hz TH 1 pcs.

435512 BF 55 LPC -3 HF 400V3 50/60Hz 2 pcs.

435513 BF 55 LPC -3 HF 400V3 50/60Hz TH 2 pcs.

The product is being phased out.



#### 435522 BF 55 LPC -3 HF+ control 230V3 50/60Hz

Spare part for:

435508 BF 55 LPC -3 HF+ 230V3 50/60Hz 1 pcs.

435514 BF 55 LPC -3 HF+ 230V3 50/60Hz 2 pcs.

The product is being phased out.



#### 435523 BF 55 LPC -3 HF+ control 400V3 50/60Hz

Spare part for:

435509 BF 55 LPC -3 HF+ 400V3 50/60Hz 1 pcs.

435515 BF 55 LPC -3 HF+ 400V3 50/60Hz 2 pcs.

The product is being phased out.



#### 435538 BF 55 LPC LE drive 230V1 50/60Hz

Spare part for:

435461 BF 55 LPC LE 230V1 50/60Hz 1 pcs.

435473 BF 55 LPC LE 230V1 50/60Hz 2 pcs.

**BF 55 controller****435539 BF 55 LPC HF drive 230V3 50/60Hz**

Spare part for:

- 435462 BF 55 LPC HF 230V3 50/60Hz 1 pcs.
- 435474 BF 55 LPC HF 230V3 50/60Hz 2 pcs.

**435540 BF 55 LPC HF drive 400V3 50/60Hz**

Spare part for:

- 435463 BF 55 LPC HF 400V3 50/60Hz 1 pcs.
- 435464 BF 55 LPC HF 400V3 50/60Hz TH 1 pcs.
- 435475 BF 55 LPC HF 400V3 50/60Hz 2 pcs.
- 435476 BF 55 LPC HF 400V3 50/60Hz TH 2 pcs.

**435541 BF 55 LPC HF+ drive 230V3 50/60Hz**

Spare part for:

- 435465 BF 55 LPC HF+ 230V3 50/60Hz 1 pc.
- 435477 BF 55 LPC HF+ 230V3 50/60Hz 2 pcs.

**435542 BF 55 LPC HF+ drive 400V3 50/60Hz**

Spare part for:

- 435466 BF 55 LPC HF+ 400V3 50/60Hz 1 pc.
- 435478 BF 55 LPC HF+ 400V3 50/60Hz 2 pcs.

**524173 BF 55 PM motor LPC 230V1 1.5kW**

Spare part for:

- 435461 BF 55 LPC LE 230V1 50/60Hz 1 pcs.
- 435473 BF 55 LPC LE 230V1 50/60Hz 2 pcs.
- 435504 BF 55 LPC -3 LE 230V1 50/60Hz 1 pc.
- 435510 BF 55 LPC -3 LE 230V1 50/60Hz 2 pcs.
- 435530 BF 55 LPC -3 AIR LE 230V1 50/60Hz 1 pc.
- 435531 BF 55 LPC -3 AIR LE 230V1 50/60Hz 2 pcs.

**524172 BF 55 PM motor LPC 230V3 1.8kW**

Spare part for:

- 435462 BF 55 LPC HF 230V3 50/60Hz 1 pcs.
- 435474 BF 55 LPC HF 230V3 50/60Hz 2 pcs.
- 435505 BF 55 LPC -3 HF 230V3 50/60Hz 1 pcs.
- 435511 BF 55 LPC -3 HF 230V3 50/60Hz 2 pcs.



### BF 55 controller



#### 524162 BF 55 PM motor LPC 230V3 2.5kW

Spare part for:

- 435465 BF 55 LPC HF+ 230V3 50/60Hz 1 pc.
- 435477 BF 55 LPC HF+ 230V3 50/60Hz 2 pcs.
- 435508 BF 55 LPC -3 HF+ 230V3 50/60Hz 1 pcs.
- 435514 BF 55 LPC -3 HF+ 230V3 50/60Hz 2 pcs.



#### 524170 BF 55 PM motor LPC 400V3 1.8kW

Spare part for:

- 435463 BF 55 LPC HF 400V3 50/60Hz 1 pcs.
- 435475 BF 55 LPC HF 400V3 50/60Hz 2 pcs.
- 435506 BF 55 LPC -3 HF 400V3 50/60Hz 1 pcs.
- 435512 BF 55 LPC -3 HF 400V3 50/60Hz 2 pcs.



#### 524171 BF 55 PM motor LPC 400V3 1.8kW TH

Spare part for:

- 435464 BF 55 LPC HF 400V3 50/60Hz TH 1 pcs.
- 435476 BF 55 LPC HF 400V3 50/60Hz TH 2 pcs.
- 435507 BF 55 LPC -3 HF 400V3 50/60Hz TH 1 pcs.
- 435513 BF 55 LPC -3 HF 400V3 50/60Hz TH 2 pcs.



#### 524160 BF 55 PM motor LPC 400V3 2.5kW

Spare part for:

- 435466 BF 55 LPC HF+ 400V3 50/60Hz 1 pc.
- 435478 BF 55 LPC HF+ 400V3 50/60Hz 2 pcs.
- 435509 BF 55 LPC -3 HF+ 400V3 50/60Hz 1 pcs.
- 435515 BF 55 LPC -3 HF+ 400V3 50/60Hz 2 pcs.



#### 435890 BF 55 AC motor 230V3 3Hp w/doc

Spare part for:

- 435471 BF 55 ON/OFF HF 230V3 60Hz 1 pcs.
- 435543 BF 55 ON/OFF HF 230V3 60Hz 1 pcs.
- 435483 BF 55 ON/OFF HF 230V3 60Hz 2 pcs.
- 435545 BF 55 ON/OFF HF 230V3 60Hz 2 pcs.
- 435534 BF 55 ON/OFF LE 230V3 60Hz 1 pc.
- 435535 BF 55 ON/OFF LE 230V3 60Hz 2 pcs.



#### 435891 BF 55 AC motor 400V3 1.5Hp w/doc

Spare part for:

- 435467 BF 55 ON/OFF LE 400V3 50Hz 1 pcs.
- 435479 BF 55 ON/OFF LE 400V3 50Hz 2 pcs.



**BF 55 controller****435892 BF 55 AC motor 400V3 1.5Hp TH w/doc**

Spare part for:

- 435468 BF 55 ON/OFF LE 400V3 50Hz TH 1 pcs.
- 435480 BF 55 ON/OFF LE 400V3 50Hz TH 2 pcs.

**435889 BF 55 AC motor 400V3 3Hp w/doc**

Spare part for:

- 435470 BF 55 ON/OFF HF 400V3 50Hz 1 pcs.
- 435472 BF 55 ON/OFF HF 400V3 60Hz 1 pcs.
- 435544 BF 55 ON/OFF HF 400V3 60Hz 1 pcs.
- 435482 BF 55 ON/OFF HF 400V3 50Hz 2 pcs.
- 435484 BF 55 ON/OFF HF 400V3 60Hz 2 pcs.
- 435546 BF 55 ON/OFF HF 400V3 60Hz 2 pcs.
- 435536 BF 55 ON/OFF LE 400V3 60Hz 1 pc.
- 435537 BF 55 ON/OFF LE 400V3 60Hz 2 pcs.
- 435532 BF 55 ON/OFF AIR HF 400V3 60Hz 1 pcs.
- 435533 BF 55 ON/OFF AIR HF 400V3 60Hz 2 pcs.

**525063 BF 55 LPC impeller 47**

Spare part for:

- 435465 BF 55 LPC HF+ 230V3 50/60Hz 1 pc.
- 435477 BF 55 LPC HF+ 230V3 50/60Hz 2 pcs.
- 435466 BF 55 LPC HF+ 400V3 50/60Hz 1 pc.
- 435478 BF 55 LPC HF+ 400V3 50/60Hz 2 pcs.
- 435508 BF 55 LPC -3 HF+ 230V3 50/60Hz 1 pcs
- 435509 BF 55 LPC -3 HF+ 400V3 50/60Hz 1 pcs.
- 435514 BF 55 LPC -3 HF+ 230V3 50/60Hz 2 pcs.
- 435515 BF 55 LPC -3 HF+ 400V3 50/60Hz 2 pcs.

**525064 BF 55 ON/OFF LE impeller 40**

Spare part for:

- 435467 BF 55 ON/OFF LE 400V3 50Hz 1 pcs.
- 435468 BF 55 ON/OFF LE 400V3 50Hz TH 1 pcs.
- 435479 BF 55 ON/OFF LE 400V3 50Hz 2 pcs.
- 435480 BF 55 ON/OFF LE 400V3 50Hz TH 2 pcs.

**525065 BF 55 ON/OFF LE impeller 41**

Spare part for:

- 435534 BF 55 ON/OFF LE 230V3 60Hz 1 pc.
- 435535 BF 55 ON/OFF LE 230V3 60Hz 2 pcs.
- 435536 BF 55 ON/OFF LE 400V3 60Hz 1 pc.
- 435537 BF 55 ON/OFF LE 400V3 60Hz 2 pcs.

**BF 55 controller****525062 BF 55 AC impeller 36**

Spare part for:

435470 BF 55 ON/OFF HF 400V3 50Hz 1 pcs.

435482 BF 55 ON/OFF HF 400V3 50Hz 2 pcs.

## BF 55 controller



### 525047 DA 1700-7/BF 55 impeller 45

Spare part for:

- 435461 BF 55 LPC LE 230V1 50/60Hz 1 pcs.
- 435462 BF 55 LPC HF 230V3 50/60Hz 1 pcs.
- 435463 BF 55 LPC HF 400V3 50/60Hz 1 pcs.
- 435464 BF 55 LPC HF 400V3 50/60Hz TH 1 pcs.
- 435471 BF 55 ON/OFF HF 230V3 60Hz 1 pcs.
- 435472 BF 55 ON/OFF HF 400V3 60Hz 1 pcs.
- 435473 BF 55 LPC LE 230V1 50/60Hz 2 pcs.
- 435474 BF 55 LPC HF 230V3 50/60Hz 2 pcs.
- 435475 BF 55 LPC HF 400V3 50/60Hz 2 pcs.
- 435476 BF 55 LPC HF 400V3 50/60Hz TH 2 pcs.
- 435532 BF 55 ON/OFF AIR HF 400V3 60Hz 1 pcs.
- 435533 BF 55 ON/OFF AIR HF 400V3 60Hz 2 pcs.
- 435483 BF 55 ON/OFF HF 230V3 60Hz 2 pcs.
- 435484 BF 55 ON/OFF HF 400V3 60Hz 2 pcs.
- 435504 BF 55 LPC -3 LE 230V1 50/60Hz 1 pc.
- 435505 BF 55 LPC -3 HF 230V3 50/60Hz 1 pcs.
- 435506 BF 55 LPC -3 HF 400V3 50/60Hz 1 pcs.
- 435507 BF 55 LPC -3 HF 400V3 50/60Hz TH 1 pcs.
- 435510 BF 55 LPC -3 LE 230V1 50/60Hz 2 pcs.
- 435511 BF 55 LPC -3 HF 230V3 50/60Hz 2 pcs.
- 435512 BF 55 LPC -3 HF 400V3 50/60Hz 2 pcs.
- 435513 BF 55 LPC -3 HF 400V3 50/60Hz TH 2 pcs.
- 435530 BF 55 LPC -3 AIR LE 230V1 50/60Hz 1 pc.
- 435531 BF 55 LPC -3 AIR LE 230V1 50/60Hz 2 pcs.



### 525066 BF 55 ON/OFF HF impeller 28

Spare part for:

- 435543 BF 55 ON/OFF HF 230V3 60Hz 1 pcs.
- 435544 BF 55 ON/OFF HF 400V3 60Hz 1 pcs.
- 435545 BF 55 ON/OFF HF 230V3 60Hz 2 pcs.
- 435546 BF 55 ON/OFF HF 400V3 60Hz 2 pcs.



### 435490 BF 50/55/DA 1700 PM motor cab. 4-core 4m

**BF 55 controller**

435491 BF 55/DA 1700 AC motor cable 4-core 4m



435492 BF 55/DA 1700 PM/AC motor cable TH 4m



445076 LPC-2 relay module



435996 BF 55/DA 1700 dual actuator control box  
Including 435333 BF 55/DA 1700 ACT shutter control module.



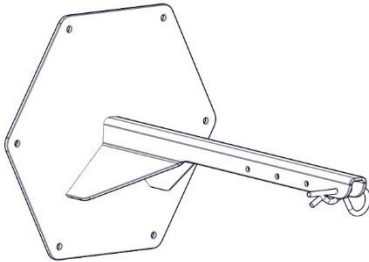
435333 BF 55/DA 1700 ACT shutter control module



560412 BF 55 mounting parts and documentation  
Mounting parts are used for mounting the fan motor.



522345 Spline 8x7x50

**BF 55 controller****560326 BF 55/DA 1700 sealing kit f/insul. plate****435328 BF 55/DA 1700 bracket f/insul. plates****560392 BF 55/DA 1700 insulation plate w/sealing****560399 BF 55 mounting kit for insulation plate****531142 Pipe split pin 10x40 mm A2**

Order 2 per fan.

**522408 BF 55/DA 1700 front panel**

Order 4 per fan.

**522680 BF 55 fan duct with motor suspension**

Order 2 per fan.

**BF 55 controller**

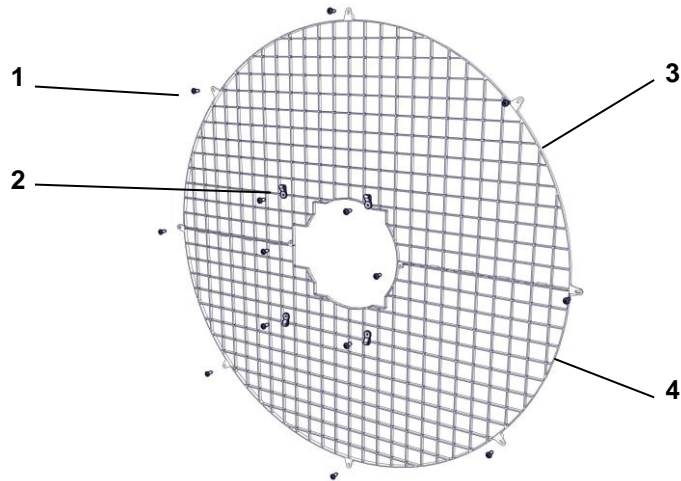
**522681 BF 55 fan duct without motor suspension**

Order 2 per fan.



**560411 BF 55 mounting parts**

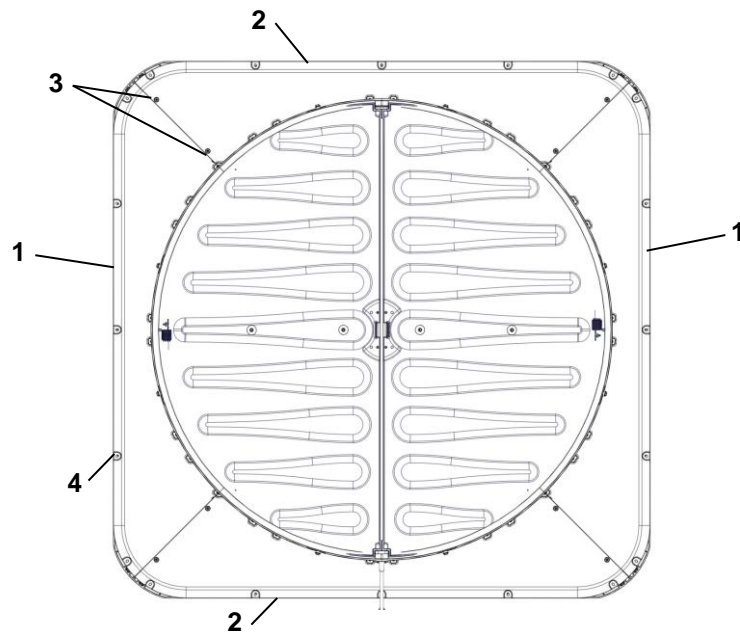
**BF 55 safety net inside**



Pos.	Quantity	Item no.	Description
		435495	BF 55 mounting parts, safety net inside
<b>1</b>	14		PT screw 6x20 delta flange TX30 A2 WN5451
<b>2</b>	1		BF mounting strap for inside net
	1		Torx bit TX30
<b>3</b>	1	522690	BF 55 net inside top small motor
<b>3</b>	1	522688	BF 55 net inside top large motor
<b>4</b>	1	522691	BF 55 net inside bottom small motor
<b>4</b>	1	522689	BF 55 net inside bottom large motor



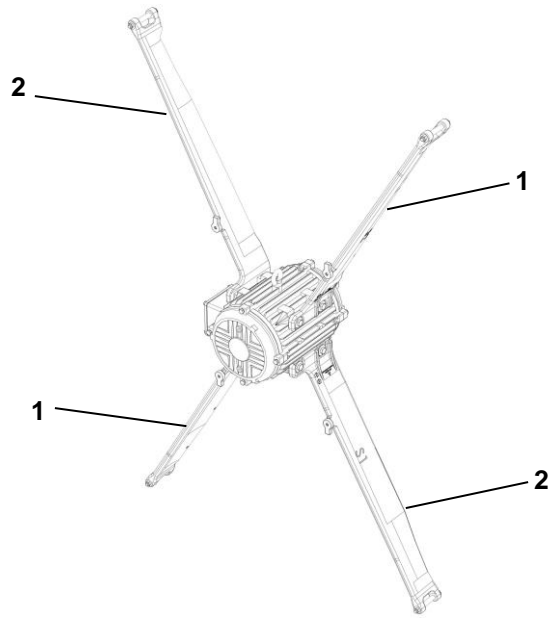
## BF 55 wall cover



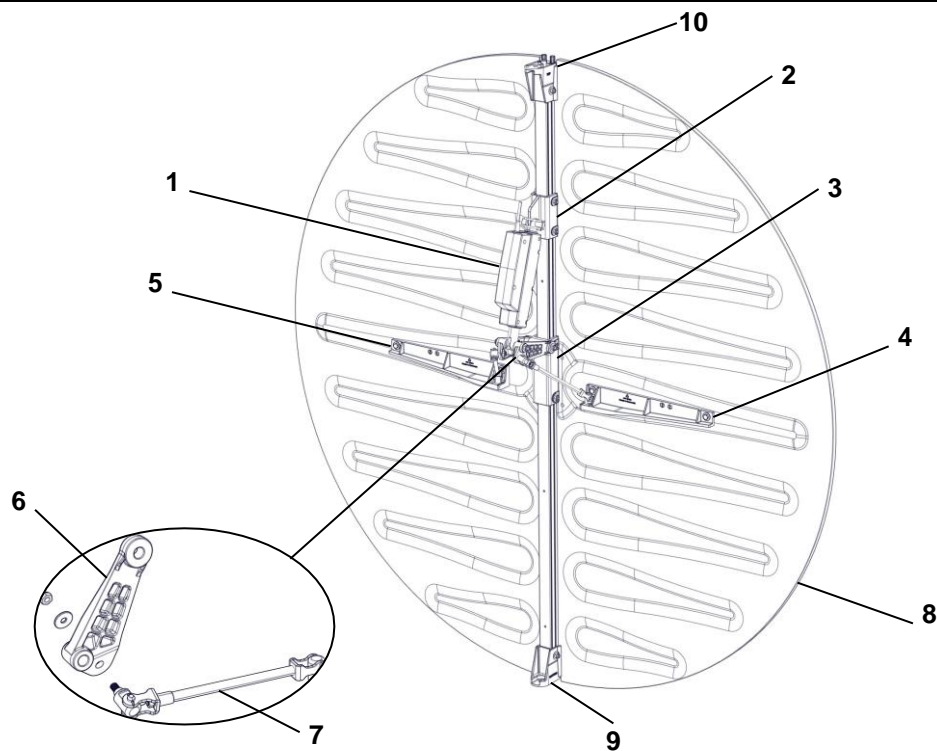
Pos.	Quantity	Item no.	Description
		435488	BF 55 wall cover
1	2		BF 55 wall cover side
2	2		BF 55 wall cover top/bottom
3	8		PT screw 6x20 delta flang TX30 A2 WN5451
4	20		Hex dril screw 4.8x35 w/waFZB light gray



**BF 55 motor suspension kit**

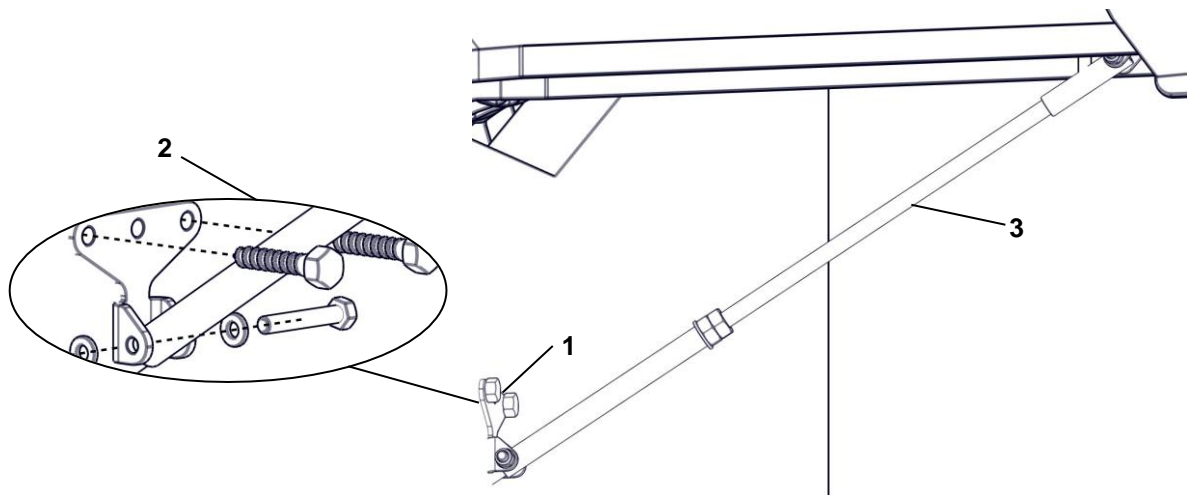


Pos.	Quantity	Item no.	Description
		435485	BF 55 motor suspension kit small motor
<b>1</b>	2		BF 55 motor suspension S2 small motor
<b>2</b>	2		BF 55 motor suspension S1 small motor
	1		BF 55 screw kit for motor suspension
		435486	BF 55 motor suspension kit large motor
<b>1</b>	2		BF 55 motor suspension L2 large motor
<b>2</b>	2		BF 55 motor suspension L1 large motor
	1		BF 55 screw kit for motor suspension

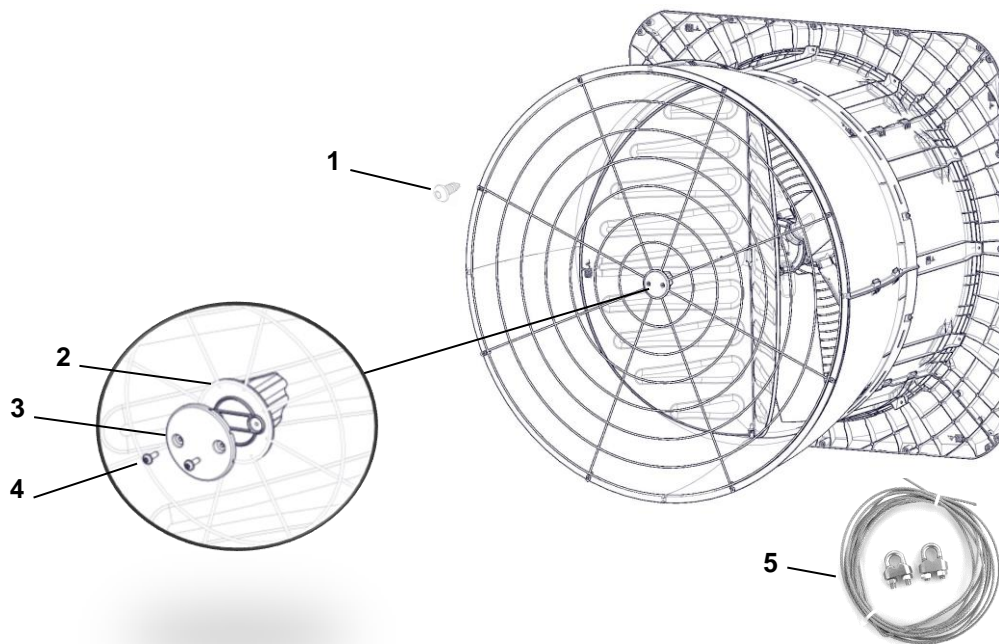
**BF 55 actuator/actuator parts/connection link**


Pos.	Quantity	Item no.	Description
		435489	BF 55 actuator
1	1		BF 55/DA 1700 actuator
	1		BF 55 screw kit for actuator
1	1	524119	BF 55/DA 1700 actuator
		435493	BF 55 actuator parts and mounting parts
2	1		BF 55 top bracket for center pillar
3	1		BF 55 middle bracket for center pillar
4	1		BF 55 bracket for shutter R
5	1		BF 55 bracket for shutter L
6	1		BF 55 rotation link R
6	1		BF 55 rotation link L
	1		BF 55 screw kit for actuator
		435487	BF 55 connection link kit
7	2		BF 55 connection link, A2
	4		Lock nut M6 A2 DIN985
	4		Washer $\varnothing 6.4/\varnothing 18 \times 1.2$ A2 NFE25-514L
8	1	522414	BF 55/DA 1700 shutter
9	1	522481	BF 55/DA 1700 bottom bracket, alu pillar
10	1	522482	BF 55/DA 1700 top bracket for alu pillar

**BF 55 support kit**



Pos.	Quantity	Item no.	Description
		435368	BF 55/DA 1700 support kit
<b>1</b>	1		BF 55/DA 1700 brackets for support kit
<b>2</b>	1		BF 55/DA 1700 mount. parts f/support kit
<b>3</b>	1		Threaded rod M10x500 A2 (Alone)

**BF 55 storm protection/parts for safety net**


Pos.	Quantity	Item no.	Description
		560283	BF 55/DA 1700 parts f/safety net outside
1	10		PT screw 6x20 delta flang TX30 A2 WN5451
	1		Torx bit TX30
		435988	BF 55/DA 1700 storm protect, outside net
2	1		DA 1700 fin for storm protection
3	1		DA 1700 cover for storm protection
4	2		PT screw 6x20 delta flang TX30 A2 WN5451
5		435337	BF 55/DA 1700 storm protect wire f/diffusor
	1.8 m		Steel wire 3.0 mm 7x7 A4 250 m/roll
	2		Wire lock 2-4 mm A2
	2		Washer $\varnothing 6.4/\varnothing 30 \times 1.5$ A2

### Line Reactor



#### 445107 Line Reactor 3-phase 4.9mH 6A

Spare part for:

- 435506 BF 55 LPC -3 HF 400V3 50/60Hz 1 pcs.
- 435512 BF 55 LPC -3 HF 400V3 50/60Hz 2 pcs.
- 435507 BF 55 LPC -3 HF 400V3 50/60Hz TH 1 pcs.
- 435513 BF 55 LPC -3 HF 400V3 50/60Hz TH 2 pcs.
- 435509 BF 55 LPC -3 HF+ 400V3 50/60Hz 1 pcs.
- 435515 BF 55 LPC -3 HF+ 400V3 50/60Hz 2 pcs.



#### 445108 Line Reactor 3-phase 3.7mH 8A

Spare part for:

- 435504 BF 55 LPC -3 LE 230V1 50/60Hz 1 pcs.
- 435510 BF 55 LPC -3 LE 230V1 50/60Hz 2 pcs.
- 435505 BF 55 LPC -3 HF 230V3 50/60Hz 1 pcs.
- 435511 BF 55 LPC -3 HF 230V3 50/60Hz 2 pcs.



#### 445109 Line Reactor 3-phase 3.0mH 10A

Spare part for:

- 435508 BF 55 LPC -3 HF+ 230V3 50/60Hz 1 pcs.
- 435514 BF 55 LPC -3 HF+ 230V3 50/60Hz 2 pcs.

## 4.42 EQ fan

### EQ fan

**409241 EQ 350 Louver**

Spare part for:

409231 EQ 350 fan 220V with grating

**409242 EQ 400 Louver**

Spare part for:

409232 EQ 400 fan 220V with grating

**409243 EQ 450 Louver**

Spare part for:

409233 EQ 450 fan 220V with grating

**409244 EQ 500 Louver**

Spare part for:

409234 EQ 500 fan 220V with grating

**409246 EQ 632 Louvre**

Spare part for:

409236 EQ 632 fan 220V with grating

## 4.43 DB 1100 wall fans

### DB 1100 wall fans



**775045 DB 1000-1100 motor 230V 0.5Hk 60Hz SSp**

Spare part for:

435103 DB 1100 230V 0.5hp 60Hz



**775026 DB 1000-1100 motor 230V 0.5Hk 50Hz SSp**

Spare part for:

435102 DB 1100 230V 0.5hp 50Hz SS



**775155 DB 1100 motor 400V 0.5HP 50/60Hz SSp**

Spare part for:

435136 DB 1100 400V 0.5hp 50Hz

435165 DB 1100 400V 0.5hp 50Hz SS KD

435175 DB 1100 400V 0.5hp 60Hz



**775156 DB 1100HE motor 400V 0.75HP 50Hz**

Spare part for:

435187 DB 1100HE 400V 0.75hp 50Hz



**775157 DB 1100HE motor 230V 0.75HP 50Hz**

Spare part for:

435188 DB 1100HE 230V 0.75hp 50Hz



**775090 DB 1000-1100 motor 400V 0.5hp 50Hz SSp**

Spare part for:

435136 DB 1100 400V 0.5hp 50Hz



**435263 DB 1100 motor 3x230V 0,5hk 60Hz**

Spare part for:

435260 DB 1100 3x230V 0.5hp 60Hz



### DB 1100 wall fans



**775029 DB 1000-1400 sliding plate f/ motor**



**229311 M-Capacitor 20 mF**

Spare part for:

435102 DB 1100 230V 0.5hp 50Hz SS

435103 DB 1100 230V 0.5hp 60Hz

435188 DB 1100HE 230V 0.75hp 50Hz



**775048 DB 1100 belt type A74**

Spare part for:

435102 DB 1100 230V 0.5hp 50Hz SS

435103 DB 1100 230V 0.5hp 60Hz

435136 DB 1100 400V 0.5hp 50Hz



**775042 DB 1100 stainless steel propeller 36inch**

Spare part for:

435102 DB 1100 230V 0.5hp 50Hz SS

435103 DB 1100 230V 0.5hp 60Hz

435136 DB 1100 400V 0.5hp 50Hz



**775043 DB 1100 galv. propeller 36"**

Spare part for:

S435133A DB 1100 fan kd. 400V 0.5 Hp 50Hz SSp Zn



**775161 DB 1100HE fan blade SS 50Hz 13°**

Spare part for:

435187 DB 1100HE 400V 0.75hp 50Hz



**775162 DB 1100HE fan blade SS 50Hz 10°**

Spare part for:

435188 DB 1100HE 230V 0.75hp 50Hz



**DB 1100 wall fans****775044 DB 1100 complete centrifugal system**

Spare part for:

435102 DB 1100 230V 0.5hp 50Hz SS

435103 DB 1100 230V 0.5hp 60Hz

435136 DB 1100 400V 0.5hp 50Hz

**775164 DB 1100 HE complete centrifugal system**

Spare part for:

435178 DB 1100HE 400V 0.75hp 50Hz

435267 DB 1100HE 400V 0.75hp 60Hz KD

**775046 DB 1100 pulley type 115 F 14**

Spare part for:

435136 DB 1100 400V 0.5hp 50Hz

**775047 DB 1100 pulley type 95 F 14**

Spare part for:

435103 DB 1100 230V 0.5hp 60Hz

**445914 DB 1100 pulley 115 F 19**

Spare part for:

435102 DB 1100 230V 0.5hp 50Hz SS

**775022 DB 1000-1100 complete central pulley**

Spare part for:

435102 DB 1100 230V 0.5hp 50Hz SS

435103 DB 1100 230V 0.5hp 60Hz

435136 DB 1100 400V 0.5hp 50Hz

**DB 1100 wall fans**

775111 DB, EC 1100,1400,1450 centre pulley



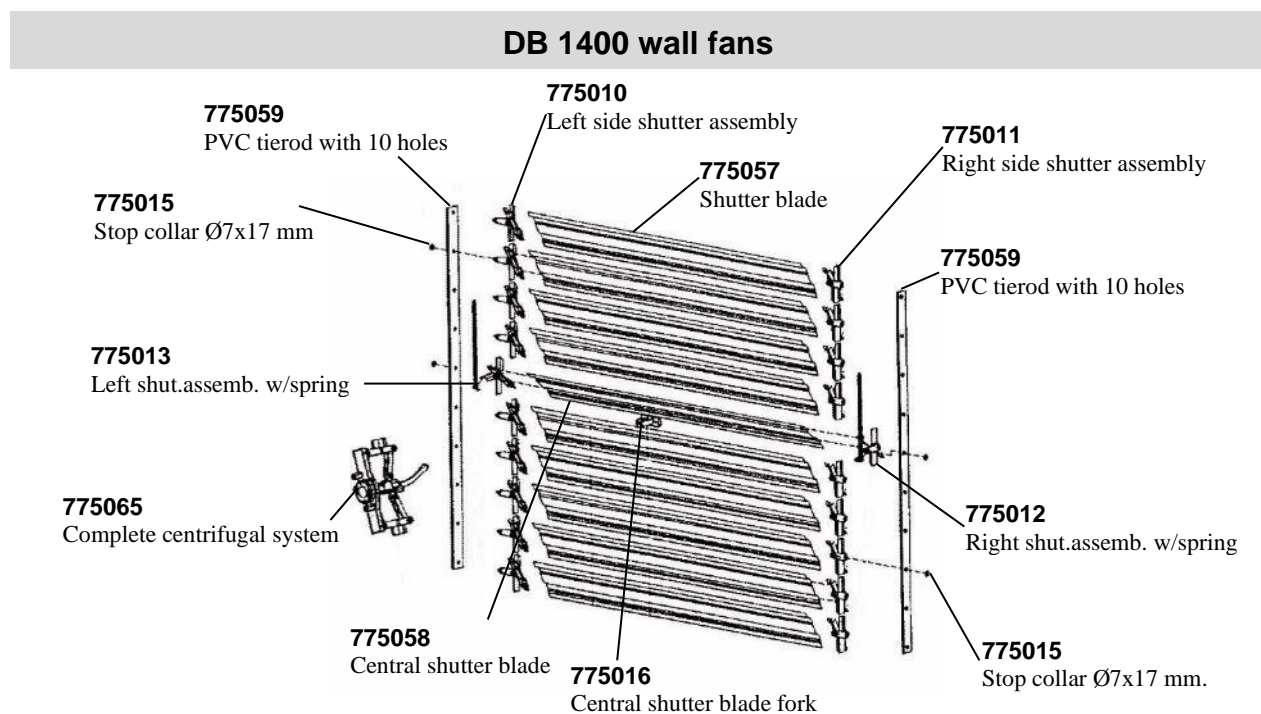
**435127 DB 1100 Safety guard**

Spare part for:

435102 DB 1100 230V 0.5hp 50Hz SS

435103 DB 1100 230V 0.5hp 60Hz

## 4.44 DB 1400 wall fans

**775067 DB 1400 motor 400V 1.0Hp 50/60Hz SSp**

Spare part for:

435106 DB 1400 400V 1.0hp 50Hz

435107 DB 1400 fan 400V 1.0 Hp 60 Hz SSp A2

**775068 DB 1400 motor 230V 1.5Hp 50Hz SSp**

Spare part for:

435108 DB 1400 230V 1.5hp 50Hz

**775069 DB/EC1400 motor 400V 1.5Hp 50/60Hz SSp**

Spare part for:

435110 DB 1400 400V 1.5hp 50Hz

435111 DB 1400 400V 1.5hp 60Hz

**775066 DB 1400 motor 230 V 1,0 Hp 50/60 Hz**

Spare part for:

435104 DB 1400 fan 230V 1.0 Hp 50 Hz SSp A2

### DB 1400 wall fans



**775080 DB 1400 motor 230V 1.5Hp 60Hz SSp**

Spare part for:

435109 DB 1400 230V 1.5hp 60Hz



**777144 Capacitor 40MF**

Spare part for:

775080 DB 1400 motor 230V 1.5Hp 60Hz SSp

435109 DB 1400 230V 1.5hp 60Hz

435116 DB 1400 vent. kd.230V 1.5 HP 50Hz SSp A2

435117 DB 1400 vent. kd.230V 1.5 HP 60Hz SSp A2



**435920 DB 1400 motor 400V 1.5 Hp 50 Hz w/ther**

Spare part for:

435241 DB 1400 400V 1.5hp 50Hz w/therm.cutout



**435264 DB 1400 motor 3x230V 1.5 HP 60Hz**

Spare part for:

435261 DB 1400 3x230V 1.5hp 60Hz



**775029 DB 1000-1400 sliding plate f/ motor**



**775065 DB 1400 comp. centrifugal system EM50**

Spare part for all DB 1400 wall fans.



**775062 DB 1400 complete central pulley**

Spare part for all DB 1400 wall fans.

---

**DB 1400 wall fans**


---

**775107 EC 1400 pulley DP095**

Spare part for:

435108 DB 1400 230V 1.5hp 50Hz

**775114 DB 1400,1450 hub**

Spare part for all DB 1400 wall fans.

**775070 DB 1400 pulley type 85 F 19**

Spare part for:

435106 DB 1400 400V 1.0hp 50Hz

435104 DB 1400 fan 230V 1.0 Hp 50 Hz SSp A2

**775071 DB 1400 pulley type 70 F 19**

Spare part for:

435107 DB 1400 fan 400V 1.0 Hp 60 Hz SSp A2

435105 DB 1400 fan 230V 1.0 Hp 60 Hz SSP A2

**775072 DB 1400 pulley type 100 F 24**

Spare part for:

435110 DB 1400 400V 1.5hp 50Hz

435108 DB 1400 230V 1.5hp 50Hz

**775073 DB 1400 pulley type 80 F 24**

Spare part for:

435111 DB 1400 400V 1.5hp 60Hz

435109 DB 1400 230V 1.5hp 60Hz

### DB 1400 wall fans



#### 775074 DB 1400 belt type A88

Spare part for all DB 1400 models.



#### 775075 DB 1400 blue belt cover

Spare part for all DB 1400 models.



#### 775063 DB 1400 stainless steel propeller 50"

Spare part for:

435106 DB 1400 400V 1.0hp 50Hz

435110 DB 1400 400V 1.5hp 50Hz

435107 DB 1400 fan 400V 1.0 Hp 60 Hz SSp A2

435111 DB 1400 400V 1.5hp 60Hz

435104 DB 1400 fan 230V 1.0 Hp 50 Hz SSp A2

435105 DB 1400 fan 230V 1.0 Hp 60 Hz SSP A2

435108 DB 1400 230V 1.5hp 50Hz

435109 DB 1400 230V 1.5hp 60Hz



#### 775064 DB 1400 galv. fan blades 50 inch

Spare part for:

S435132A DB 1400 fan kd.400V 1. Hk 50Hz SSp Zn



#### 531285 Sealing strip f. cover for wall fan



#### 775055 DB 1400 safety guard



#### 435943 DB 1400 Plastic safety protection

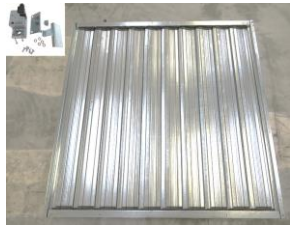


### DB 1400 wall fans



#### 435137 DB 1400 Shutter ex. motor

The shutter is supplied unassembled.



#### 435189 DB 1400 shutter with motor



#### 435153 36"/50"/52" kit for light trap

Spare part for DB 1100, DB 1400, DB 1450 and BF 50.



#### 435985 DB 1100/1400/1450 kit for mesh

Spare part for:

435128 DB 1400 Safety guard



#### 775019 DB 1000-1400 cover nut



#### 522630 BF 50 air-controlled shutter module

To be used together with 522632 BF 50 frame comp f/air-controlled shutter.

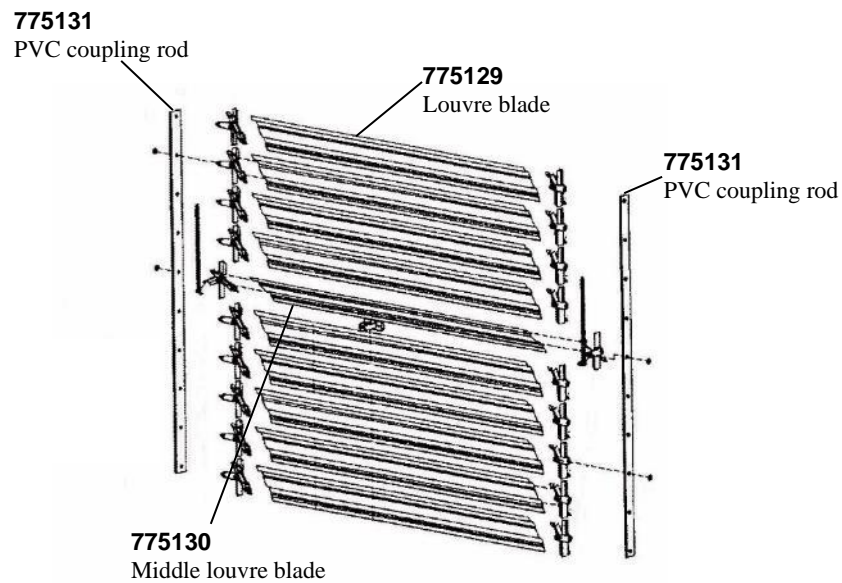


#### 522632 BF 50 frame comp f/air-controlled shutter

Frame for 522630 BF 50 air-controlled shutter module.

## 4.45 DB 1450 wall fans

## DB 1450 wall fans



775134 DB/EC 1450 motor 2HP 400V, 50/60Hz



435265 DB 1450 motor 3x230V 2 Hk 60Hz

Spare part for:

435262 DB 1450 fan 3x230V 2 Hk 60Hz SSp A2



775126 DB 1450 V-belt type A90



775146 DB 1450 motorremskive f/400V, 2hk, 60Hz



**DB 1450 wall fans**

**775065 DB 1400/1450 comp. centrifugal system**



**775132 DB 1450 fan blade A2**



**775114 DB 1400,1450 hub**  
Spare part for all DB 1450 wall fans.



**435191 DB/EC 1450 safety guard**



**435153 DB 1100/1400/1450 Kit for light trap**



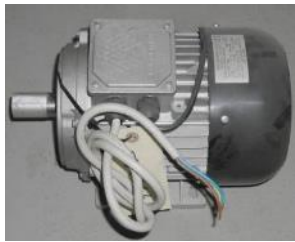
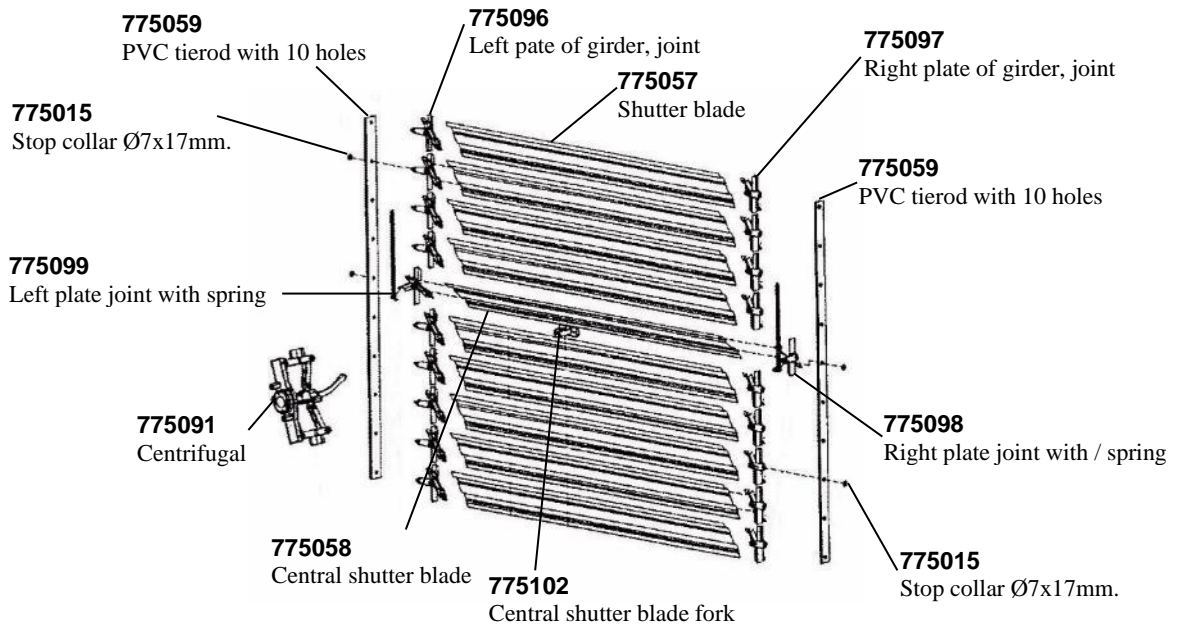
**435249 DB 1450 insulating plate**

**435196 52" light trap brownout**

**435240 52" EC kit for light trap**

## 4.46 EC 1400 wall fans

### EC 1400 wall fans



#### 775104 EC1400 motor 400V 1.5hp 50/60Hz

Spare part for:

- 435146 EC 1400 400V 1.5hp 50Hz Cone in KD
- 435149 EC 1400 fan 400V 1.5 hp 60 Hz cone in kd
- 435142 EC 1400 vent kd. cone 400 V 1.5 hp 50 Hz
- 435160 EC 1400 fan 400V 1.5 HP 60 Hz SST KD



#### 775080 DB 1400 motor 230V 1.5Hp 60Hz SSp

Spare part for:

- 435151 EC 1400 fan 230V 1.5 Hp, 60 Hz, cone in kd



#### 775122 EC 1400 motor 1.5HP 50/60Hz SSp 400V

### EC 1400 wall fans



#### 775094 EC 1400 stainless fan blade 50"

Spare part for all EC 1400 fans.



#### 775095 EC 50 galv. fan blade 50"

Spare part for:

435146 EC 1400 400V 1.5hp 50Hz Cone in KD



#### 775101 EC 1400 V-belt

Spare part for:

435146 EC 1400 400V 1.5hp 50Hz Cone in KD



#### 775091 EC 1400 centrifugal

Spare part for:

435146 EC 1400 400V 1.5hp 50Hz Cone in KD



#### 775103 EC 1400 motor pulley, DP 115 f. 50Hz

Spare part for:

435142 EC 1400 fan kd. cone 400 V 1.5 hp 50 Hz



#### 775107 EC 1400 pulley DP95 f. 60Hz

Spare part for:

435151 EC 1400 fan 230V 1.5 hp 60 Hz cone in kd

435160 EC 1400 fan 400V 1.5 hp 60 Hz SST KD

435108 DB 1400 230V 1.5hp 50Hz

### EC 1400 wall fans



#### 775100 EC 1400 Hub

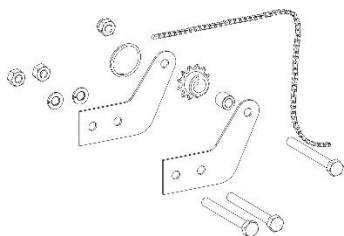
Spare part for:

435142 EC 1400 fan kd. cone 400 V 1.5 hp 50 Hz



#### 775117 EC 1400 chain for louvre

Spare part for all EC 1400 wall fans.



#### 435983 EC 1400 kit for opening

Spare part for all EC 1400 wall fans.



#### 435911 EC 1400 ring for chain

Spare part for all EC 1400 wall fans.



#### 435957 EC 1400 Bottom panel



#### 435958 EC 1400 Side panel



#### 435956 EC 1400 Top panel

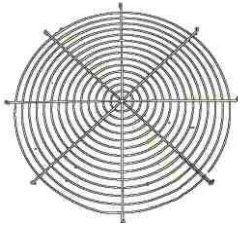


#### 435964 EC 1400 Diffuser support



#### 435913 EC 1400 cone kit

Spare part for all EC 1400 wall fans.

**EC 1400 wall fans****435963 EC 1400 Propeller central support****435965 EC 1400 Short central support****435960 EC 1400 PVC tie-rod w. 10 holes****435959 EC 1400 Cover plates****435927 EC 1400 safety mesh****775055 DB 1400 safety mesh guard 1400 x 700 mm**

Spare part for:

435146 EC 1400 400V 1.5hp 50Hz Cone in KD

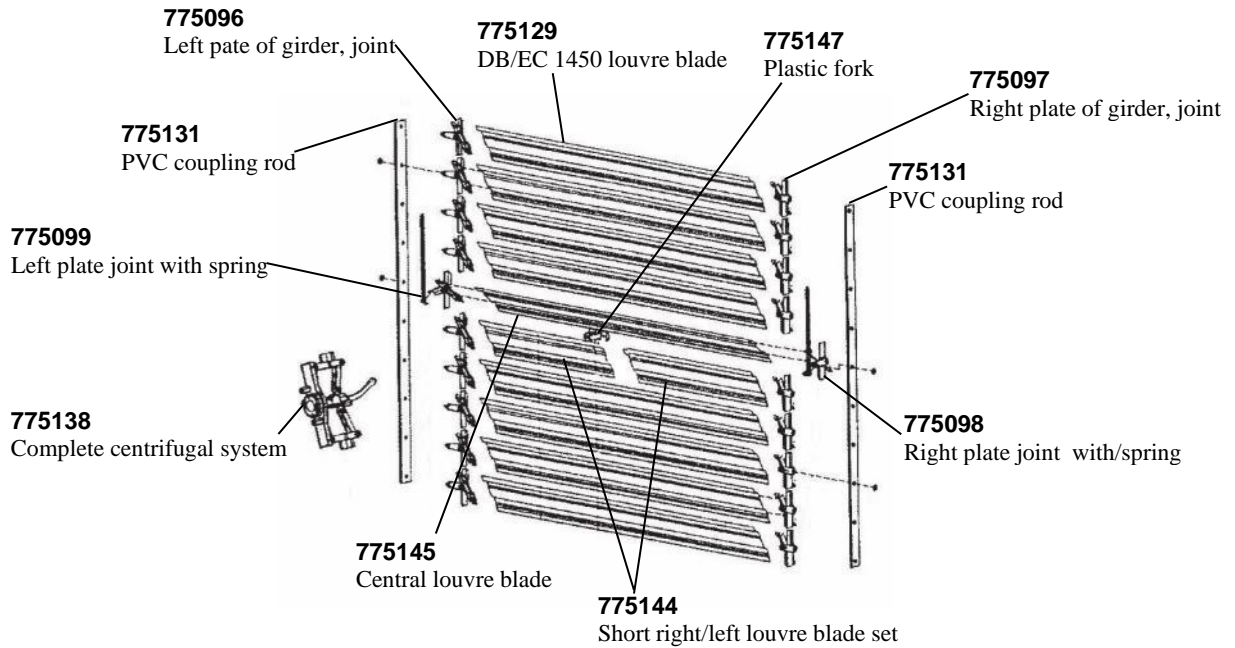
**435152 50" EC kit for light trap**

Spare part for all EC 1400 wall fans.



## 4.47 EC 1450 wall fans

### EC 1450 wall fans



**775134 DB/EC 1450 motor 2HP 400V, 50/60Hz**  
Spare part for all EC 1450 wall fans.



**775125 EC 1450 motor 1hp, 400V, 50/60Hz**  
Spare part for all EC 1450 wall fans.



**775118 EC 1450 stainless steel propeller**  
Spare part for all EC 1450 wall fans.



**775133 EC 1450 motor belt pulley f/400V 2hp50Hz**  
**775139 EC 1450 motor pulley f/400V, 2hp, 60Hz**  
Spare part for:  
435245 EC 1450 400V 2.0hp 50Hz w/tension  
435199 EC 1450 400V 2.0hp 50Hz KD w/tension



**EC 1450 wall fans**

**775140 EC 1450 motor pulley f/400V, 1hp, 50Hz**

**775141 EC 1450 motor pulley f/400V, 1hp, 60Hz**

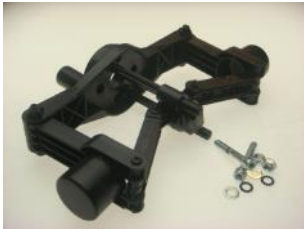
Spare part for:

435200 EC 1450 KD 400V 1.0hp 50Hz SS w/tension



**775137 EC 1450 V-belt type A61**

Spare part for all EC 1450 wall fans.



**775138 EC 1450 complete centrifugal system**

Spare part for all EC 1450 wall fans.



**775143 EC 1450 hub**

Spare part for all EC 1450 wall fans.



**435191 DB/EC 1450 safety guard**

Spare part for all EC 1450 wall fans.



**435914 EC 1450 cone kit**

Spare part for all EC 1450 wall fans.

**EC 1450 wall fans**

**435981 EC 1450 Adapter Kit Centrif. 16005-2RS**

Spare part for EC 1450 fan purchased before April 2018.

Component Part	Qty per Assembl <sup>l</sup>	Item no.
2252590	1	32
2252591	1	48
2252592	1	51
2244521	1	50
2252572	1	59
2278300	6	61
2273700	8	37
2277100	1	6
2277400	6	54
2280410	2	31
2252578	1	35
2276800	3	34
2278420	4	55
2275700	2	53

**435997 EC 1450 Adapter Kit Centr. 16005-2RS-B**

Spare part for EC 1450 fan purchased after April 2018.

The numbered items are included.

Component Part	Qty per Assembl <sup>l</sup>	Item no.
2252590	1	32
2252591	1	48
2252592	1	51
2244521	1	50
2252587	1	59
2278300	6	61
2273700	8	37
2277100	1	6
2277400	6	54
2280410	2	31
2252578	1	35
2276800	3	34
2278420	4	55
2275700	2	53



---

**EC 1450 wall fans**

---



**435910 EC 1450 belt tightener**

Spare part for all EC 1450 wall fans.

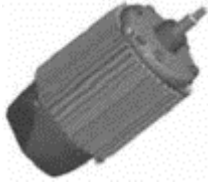
---

**435196 52" light trap brownout**

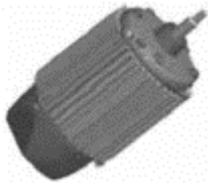
---

## 4.48 VC 1400 wall fans

### VC 1400 wall fans



775108 VC 1400 motor 230V 1.5 h.p. 60Hz



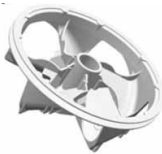
775149 VC 1400 motor 400V 1.5HP 50/60Hz



435912 V1400 / VC1400 notched belt , 60Hz



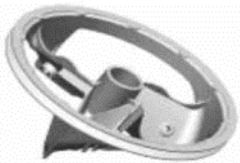
435918 V1400 V-belt drive



775159 Hub for V1400



775109 VC1400 fan blade, 5 blades  
5 blades are included.



435923 Hub for V1400 with 3 blades



435926 VC1400 fan blade, 3-blades  
3 blades are included.



435917 V1400 stabilizer

## 4.49 DOL 35 BlueBox converter

### DOL 35 BlueBox converter



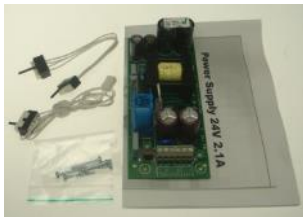
**136662 Main module CANopen 12RL**



**136659 IO type 3 CANopen 10RL 8AI 8AO**  
Spare part for all DOL 35 BlueBox converters.



**132245 CAN bus module**  
Spare part for all DOL 35 BlueBox converters.



**135750 Power supply 24 V 2,1A**  
Spare part for all DOL 35 BlueBox converters.



**313107 Flat cable 52 cm 10p 3-plug**  
Spare part for all DOL 35 BlueBox converters.



**345425 Rubber sleeve for computer cabinet**  
Spare part for all DOL 35 BlueBox converters.

**DOL 35 BlueBox converter****136955 DOL Touch frontfoil small/big UNIVERSAL**

For 7" versions.

Spare part for:

136635 DOL 35 Converter

**344350-A Front foil black PigGrowth SKOV**

Spare part for:

136636 DOL 35 Extension 1-24 inputs

136637 DOL 35 Extension 25-43 inputs

**136638 BlueBox 24 Relay-input module**

## 5 Emergency opening

### DOL 278A



- 134692 DOL 278AT-1 EmergencyOpen Temp Medium 4.2 A
- 134693 DOL 278AT-2 EmergencyOpen. Temp Medium 4.2 A
- 134694 DOL 278ALT-1 EmergencyOpen Temp Large 8 A
- 134695 DOL 278ALT-2 EmergencyOpen Temp Large 8 A
  
- 134690 DOL 278AM EmergencyOpen. ON/OFF Medium 4.2 A
- 134691 DOL 278AL EmergencyOpen. ON/OFF Large 8 A
- 136700 DOL 278AXL EmergencyOpen. ON/OFF XL 10A

## 5.1 DOL 278A

### DOL 278A



#### 132836 DOL 278AT-2 Panel complete, M/L

Spare part for:

134693 DOL 278AMT-2 EmergencyOpen. Temp Medium 4.2A

134695 DOL 278ALT-2 EmergencyOpen Temp Large 8 A



#### 132835 DOL 278AT-1 Panel complete, M/L

Spare part for:

134692 DOL 278AMT-1 EmergencyOpen Temp Medium 4.2A

134694 DOL 278ALT-1 EmergencyOpen Temp Large 8 A



#### 347271 Foil DOL 278AT-2 M/L

Spare part for:

134693 DOL 278AMT-2 EmergencyOpen. Temp Medium 4.2A

134695 DOL 278ALT-2 EmergencyOpen Temp Large 8 A



#### 347270 Foil DOL 278AT-1 M/L

Spare part for:

134692 DOL 278AMT-1 EmergencyOpen Temp Medium 4.2A

134694 DOL 278ALT-1 EmergencyOpen Temp Large 8 A



#### 132832 278AT CPU module 1-house 2-house

Spare part for:

134693 DOL 278AMT-2 EmergencyOpen. Temp Medium 4.2A

134695 DOL 278ALT-2 EmergencyOpen Temp Large 8 A

134692 DOL 278AMT-1 EmergencyOpen Temp Medium 4.2A

134694 DOL 278ALT-1 EmergencyOpen Temp Large 8 A



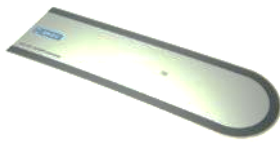
#### 134724 DOL 278A M/L Panel complete

Spare part for:

134690 DOL 278AM EmergencyOpen. ON/OFF Medium 4.2 A

134691 DOL 278AL EmergencyOpen. ON/OFF Large 8 A

136700 DOL 278AXL EmergencyOpen. ON/OFF XL 10A

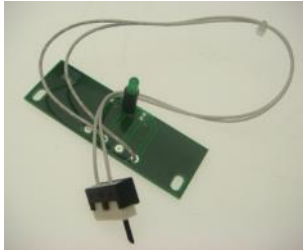
**DOL 278A****347304 Frontfolie DOL 278A - ON-OFF Controlled**

Spare part for:

134690 DOL 278AM EmergencyOpen. ON/OFF Medium 4.2 A

134691 DOL 278AL EmergencyOpen. ON/OFF Large 8 A

136700 DOL 278AXL EmergencyOpen. ON/OFF XL 10A

**132834 78 / 278 LED printed board M/L**

Spare part for:

134690 DOL 278AM EmergencyOpen. ON/OFF Medium 4.2 A

134691 DOL 278AL EmergencyOpen. ON/OFF Large 8 A

136700 DOL 278AXL EmergencyOpen. ON/OFF XL 10A

**132837 278/378 Main module medium 4A spare part**

Spare part for:

134692 DOL 278AMT-1 EmergencyOpen Temp Medium 4.2A

134693 DOL 278AMT-2 EmergencyOpen. Temp Medium 4.2A

134690 DOL 278AM EmergencyOpen. ON/OFF Medium 4.2 A

**132838 278/378 Main module large 8A spare part**

Spare part for:

134694 DOL 278ALT-1 EmergencyOpen Temp Large 8 A

134695 DOL 278ALT-2 EmergencyOpen Temp Large 8 A

134691 DOL 278AL EmergencyOpen. ON/OFF Large 8 A

136700 DOL 278AXL EmergencyOpen. ON/OFF XL 10A

**132839 278/378 Mainmodul NoPowerSup. Sparepart**

Spare part for all DOL 278A and DOL 278AT models.

**135750 Power supply 24 V 2,1A**

Spare part for all DOL 278A and DOL 278AT models.

**DOL 278A****134792 Mini-UPS, Mini-Power, Universal**

Spare part for all DOL 278A and DOL 278AT models.

**132812 78/278/378 battery module 18V 4Ah VRLA**

Spare part for:

134692 DOL 278AMT-1 EmergencyOpen Temp Medium 4.2A

134693 DOL 278AMT-2 EmergencyOpen. Temp Medium 4.2A

134690 DOL 278AM EmergencyOpen. ON/OFF Medium 4.2 A

**132817 278/378 Battery module 18V 7Ah Large VRLA**

Spare part for:

134694 DOL 278ALT-1 EmergencyOpen Temp Large 8 A

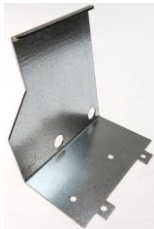
134695 DOL 278ALT-2 EmergencyOpen Temp Large 8 A

134691 DOL 278AL EmergencyOpen. ON/OFF Large 8 A

136700 DOL 278AXL EmergencyOpen. ON/OFF XL 10A

**560107 Plugs for backup module ventilation**

Spare part for all DOL 278A and DOL 278AT models.

**340277 Battery ledg 278/378A 1.5mm 64x101x101mm**

Spare part for all DOL 278A and DOL 278AT models.

**313184-02 Plug female 4 p 5.08mm**

Spare part for all DOL 278A and DOL 278AT models.

**313195 Plug-in terminal loose part 5p 5.08 mm**

Spare part for all DOL 278A and DOL 278AT models.

**134727 DOL 278 adjustment knob**

Spare part for all DOL 278AT models.



**DOL 278A****134728 DOL 278 connecting cable 134 cm**

Spare part for all DOL 278A and DOL 278AT models.

**134729 4 screws f. front panel**

Spare part for all DOL 278A and DOL 278AT models.

**280015 Car fuse F15A 32V blue**

Spare part for all DOL 278A and DOL 278AT models.

**280007 Car fuse F7,5A 32V brown**

Spare part for all DOL 278A and DOL 278AT models.

**345425 Rubber sleeve for computer cabinet**

Spare part for all DOL 278A and DOL 278AT models.

**140200 DOL 12 temperature sensor****140210 DOL 12 temperature sensor, 5 m wire**

The DOL 12 temperature sensor can be used both as an inside and an outside temperature sensor.

## 6 Cooling

DA 2500



DA 2000



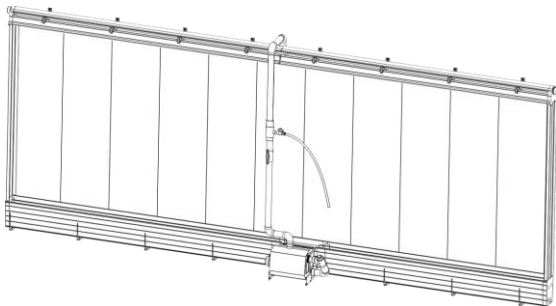
DA 2000 with frequency converter



Nozzles and various accessories



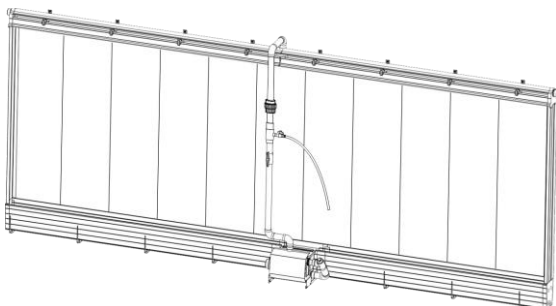
DA 100B/DA 150B pad cooling



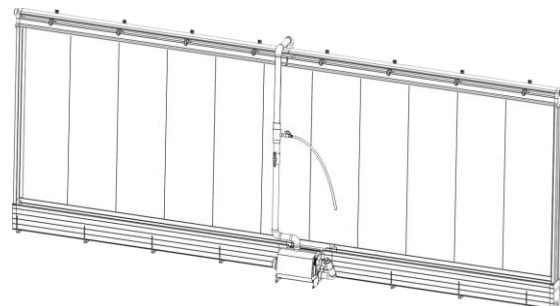
DA 150C pad cooling



DA 100B/DA 150 HD pad cooling



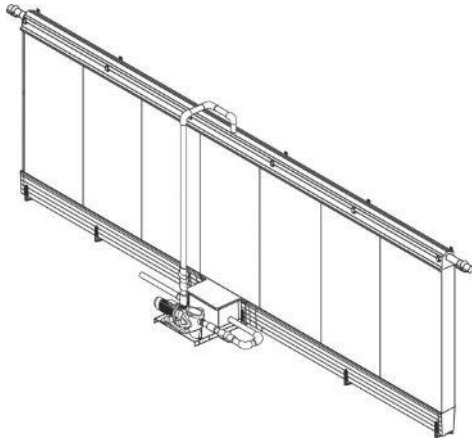
DA 100B/DA 150B pad cooling Big



## 6 Cooling

---

[DA 150A pad cooling](#)



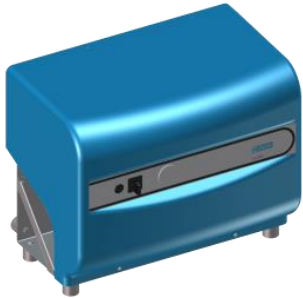
[DA 100/DA 150 pad cooling](#)



## 6.1 DA 2500

---

### DA 2500



437630 DA 2500 pump 21l/min, 3x400V,  
50/60 Hz

### DA 2500 V2



437626 DA 2500 V2 pump 21l/min, 3x400V  
50Hz

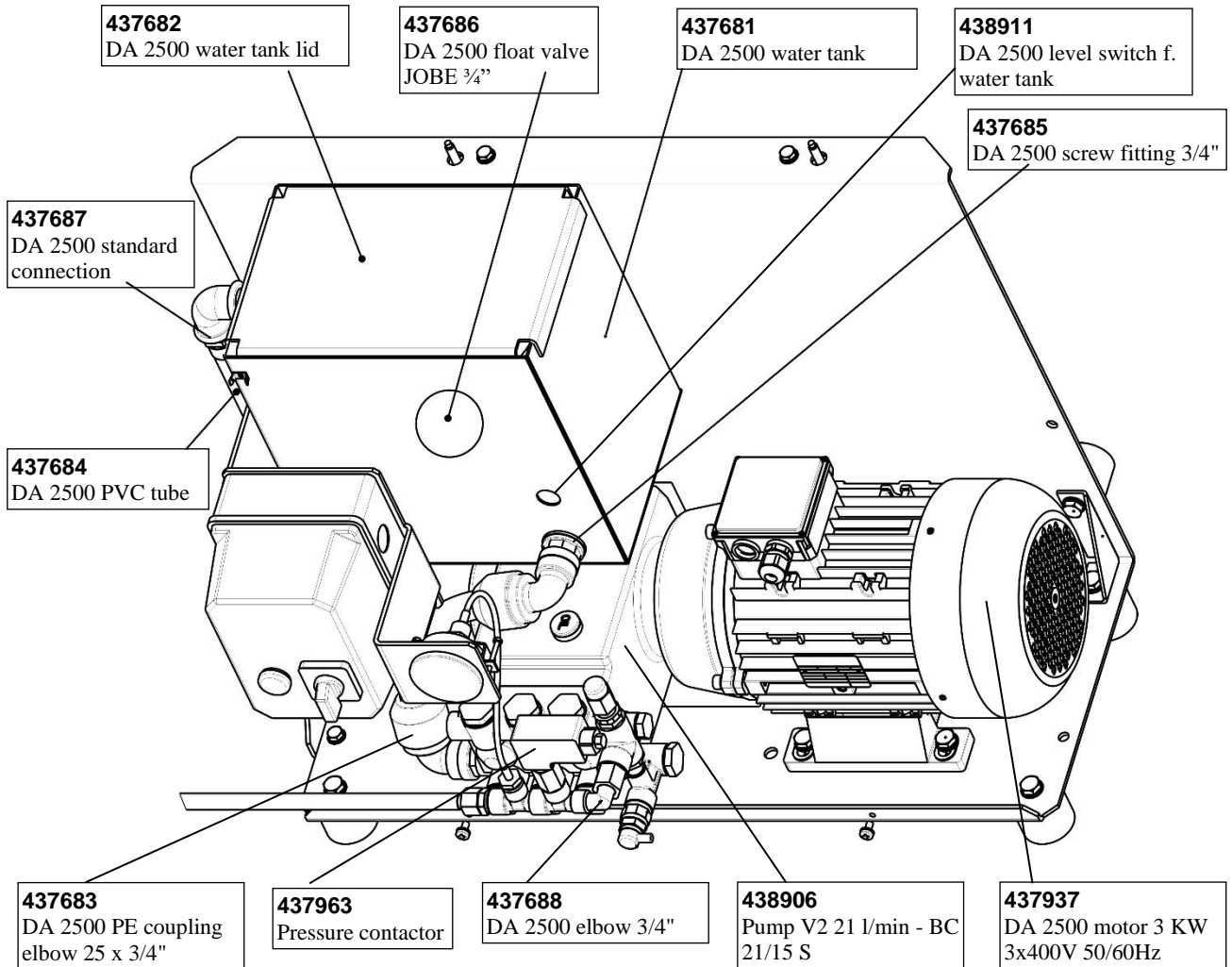
### DA 2500 accessories

---

### 6.1.1 DA 2500 pump

#### DA 2500 pump

437630 DA 2500 pump 21l/min, 3x400V, 50/60 Hz



## DA 2500 pump



### 438906 Pump V2 21 l/min - BC 21/15 S

Spare part for:

437630 DA 2500 pump 21l/min, 3x400V, 50/60 Hz

Please remember that the bypass valve 438154 needs to be ordered together with the pump.

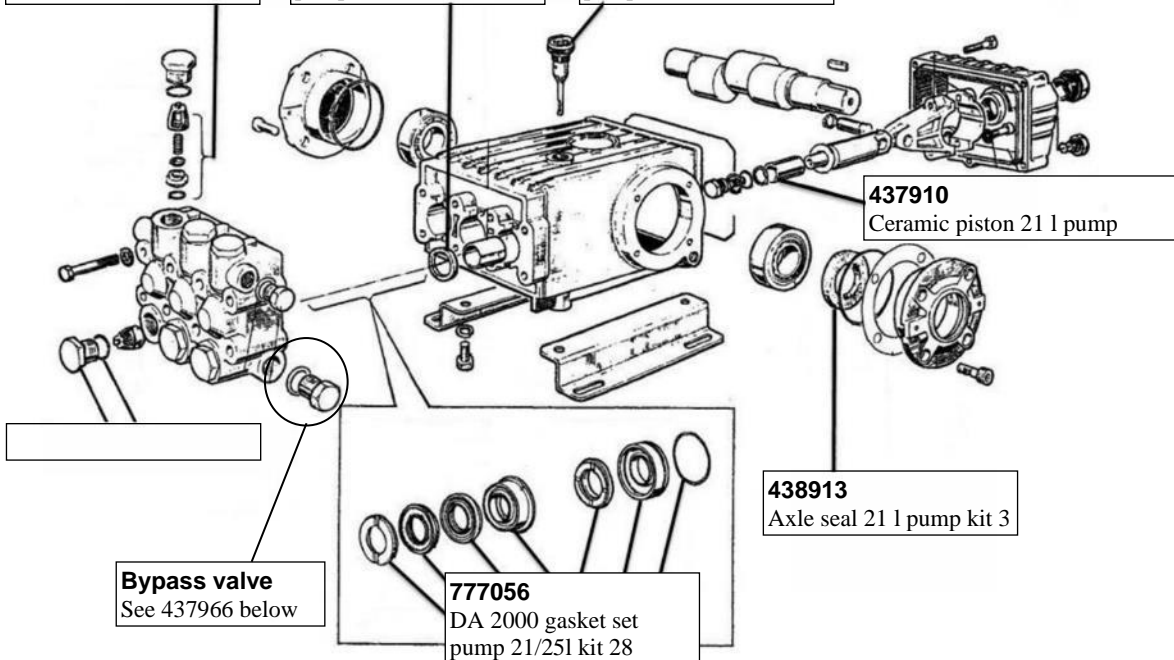
### 438154 Bypass valve VRF2

## Pump for 21/25 liter high-pressure pump

**777050**  
DA 2000 valve pump  
21/24l kit 1

**777148**  
DA 2000 packed gland  
pump 21/25l

**437930**  
DA 2000 Dipstick for  
pump 21 / 25L



### 437966 Bypass valve UB 22

Spare part for 21/25 l pump.

Includes:

- 1 x DA 2000 screw pressure side UB22
- 1 x DA 2000 screw suction side UB22
- 2 x Seal 3/8" bypass valve
- 2 x Seal 1/2" bypass valve



### 437937 DA 2500 motor 3 KW 3x400V 50/60Hz

Spare part for:

437630 DA 2500 pump 21l/min, 3x400V, 50/60 Hz

**DA 2500 pump****438906 DA 2500 V2 pump ex. acc., 21l min 50Hz**

Spare part for:

437630 DA 2500 pump 21l/min, 3x400V, 50/60 Hz

Note: If 438906 is used as spare part for 437630 the bypass valve 438907 must be ordered as well.

**438907 Bypass valve UB23**

Spare part for:

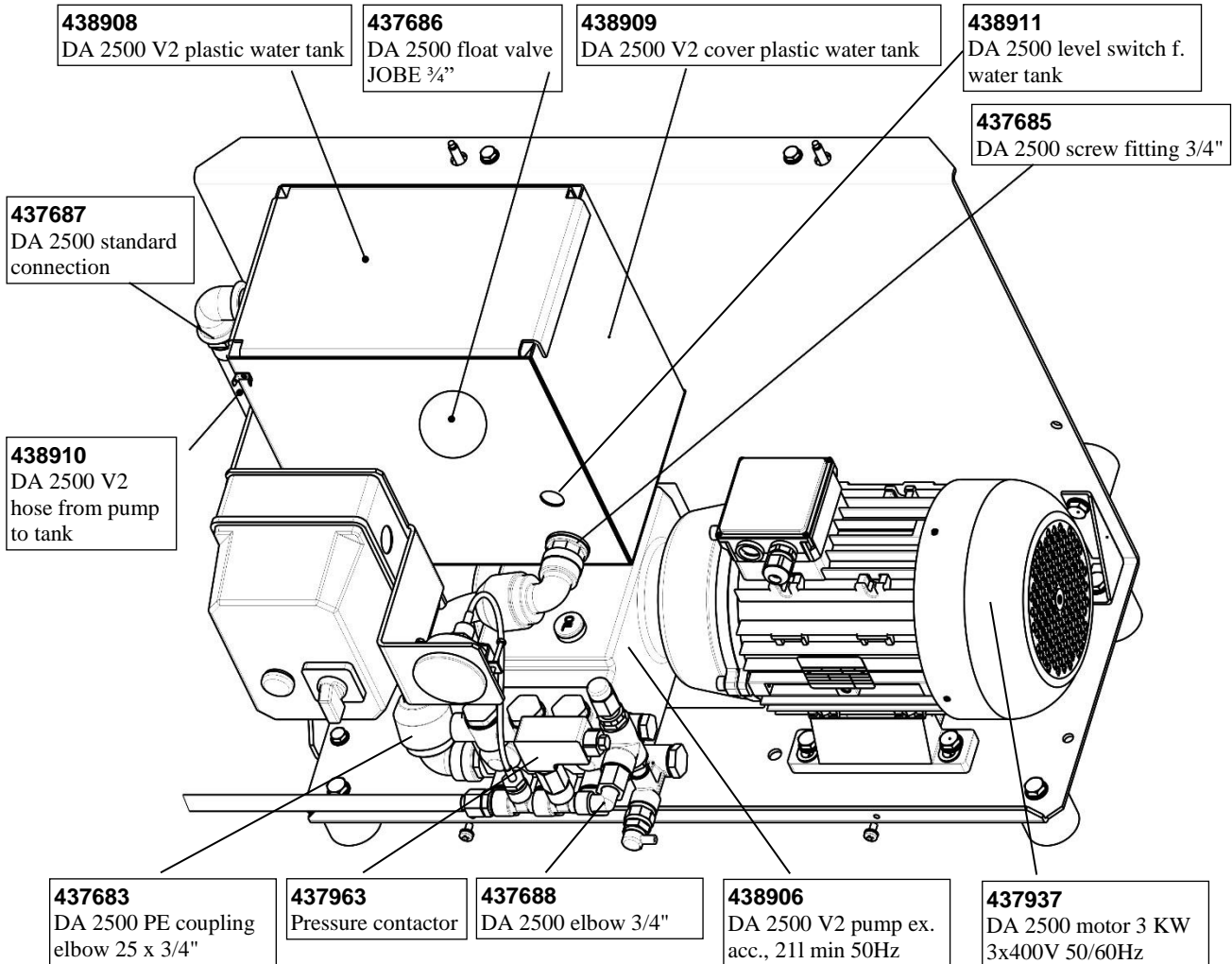
438906 DA 2500 V2 pump ex. acc., 21l min 50Hz



## 6.1.2 DA 2500 V2 pump

### DA 2500 V2 pump

437626 DA 2500 V2 pump 21l/min, 3x400V 50Hz



#### 438906 DA 2500 V2 pump ex. acc., 21l min 50Hz

Spare part for:

437626 DA 2500 V2 pump 21l/min, 3x400V 50Hz



#### 438907 Bypass valve UB23

Spare part for:

437626 DA 2500 V2 pump 21l/min, 3x400V 50Hz



**DA 2500 V2 pump**

**437937 DA 2500 motor 3 KW 3x400V 50/60Hz**

Spare part for:

437626 DA 2500 V2 pump 21l/min, 3x400V 50Hz

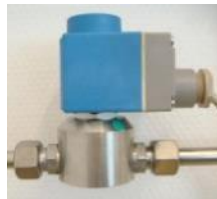
**6.1.3 DA 2500 accessories****DA 2500 accessories**

**437656 DA 2500 timer**

Spare part for:

437630 DA 2500 pump 21l/min, 3x400V, 50/60 Hz

437626 DA 2500 V2 pump 21l/min, 3x400V 50Hz



**437631 High-pr. valve two-way 15l/min 230V 50Hz**

**437632 High-pr. valve two-way 15l/min 230V 60Hz**

Spare part for:

437630 DA 2500 pump 21l/min, 3x400V, 50/60 Hz

437626 DA 2500 V2 pump 21l/min, 3x400V 50Hz



**437634 Coil 240V, 50 Hz, 10W, IP67**

**437635 Coil 240V, 60 Hz, 10W, IP67**

Spare part for:

437630 DA 2500 pump 21l/min, 3x400V, 50/60 Hz

437626 DA 2500 V2 pump 21l/min, 3x400V 50Hz



**437633 Solenoid valve two-way 15l/min 100 bar**

Spare part for:

437630 DA 2500 pump 21l/min, 3x400V, 50/60 Hz

437626 DA 2500 V2 pump 21l/min, 3x400V 50Hz



**437636 DA 2500 floor stand f. pump**

Spare part for:

437630 DA 2500 pump 21l/min, 3x400V, 50/60 Hz

437626 DA 2500 V2 pump 21l/min, 3x400V 50Hz

**DA 2500 accessories****437637 DA 2500 external filter unit 2x5+2x1 µm**

Spare part for:

437630 DA 2500 Pump 21l/min, 3x400V, 50/60 Hz

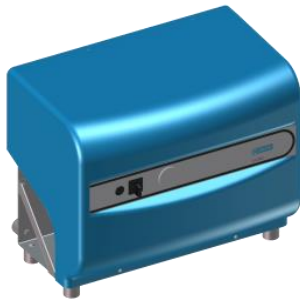
437626 DA 2500 V2 pump 21l/min, 3x400V 50Hz

**437638 Mounting profile f. nozzles in Tunnel op**

Spare part for:

437630 DA 2500 pump 21l/min, 3x400V, 50/60 Hz

437626 DA 2500 V2 pump 21l/min, 3x400V 50Hz


**437948 DA 2500 protect. cover f. pump incl. foil**

Spare part for:

437630 DA 2500 pump 21l/min, 3x400V, 50/60 Hz

437626 DA 2500 V2 pump 21l/min, 3x400V 50Hz

## 6.2 DA 2000

	Item no.	Pump type
	<a href="#">*437537</a> Pump 5/5.5 l/min, 1x230V, 50Hz	PNC 06/10
	<a href="#">*437536</a> Pump 5/5.5 l/min, 3x400V, 50/60Hz	PNC 06/10
	<a href="#">*437695</a> Pump 5.5/6.6 l/min, 3x230V, 50/60Hz	PNC 06/10
	<a href="#">*437612</a> Pump 6.6 l/min, 1x230V, 60Hz	PNC 06/10
	<a href="#">*437532</a> Pump 12 l/min, 1x230V, 50Hz	W140
	<a href="#">*437530</a> Pump 12/14 l/min, 3x400V, 50/60Hz	W140
	<a href="#">*437534</a> Pump 14 l/min, 1x230V, 60Hz	W140
	<a href="#">*437531</a> Pump 21/25 l/min, 3x400V, 50/60Hz	WS82
	<a href="#">*437535</a> Pump 25 l/min, 1x230V, 60Hz	WS82
		<a href="#">437150</a> Pump V2 6 l/min 1x230V 50Hz
	<a href="#">437151</a> Pump V2 6/7 l/min 3x400V 50/60Hz	FE5106M
	<a href="#">437152</a> Pump V2 12 l/min 1x230V 50Hz	E2B1712
	<a href="#">*437153</a> Pump V2 12/14 l/min 3x230V 50/60Hz	E2B1712
	<a href="#">437165</a> Pump V3 12/14 l/min 3x230V 50/60Hz	NHDP1212R
	<a href="#">*437154</a> Pump V2 12/14 l/min 3x400V 50/60Hz	E2B1712
	<a href="#">437166</a> Pump V3 12/14 l/min 3x400V 50/60Hz	NHDP1212R
	<a href="#">437155</a> Pump V2 18.5 l/min 1x230V 60Hz	BD 5.0/30 S
	<a href="#">437156</a> Pump V2 18.5 l/min 3x230V 60Hz	BD 5.0/30 S
	<a href="#">437158</a> Pump V2 18.5 l/min 3x400V 60Hz	BD 5.0/30 S
	<a href="#">437157</a> Pump V2 21 l/min 3x400V 50Hz	BC 21/15 S
<a href="#">Pump accesories</a>		

\*The product is phased out

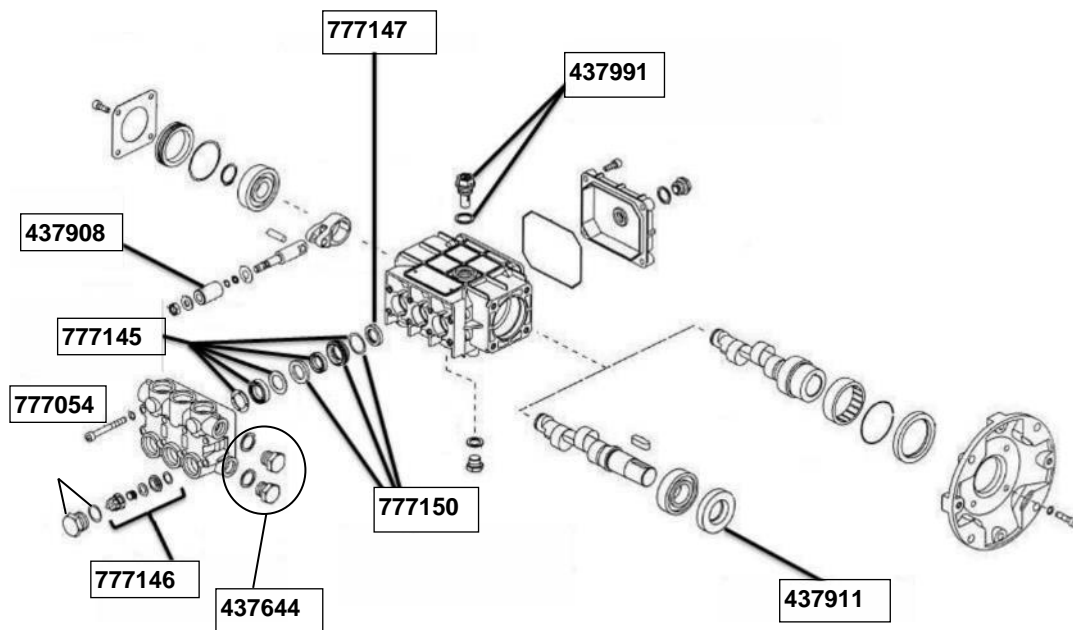
## 6.2.1 437537 • PNC 06/10

437537 • PNC 06/10

[DA 2000  
front page](#)

437925 Pump - raw, 5/5,5 l/min. 50/60 Hz

437925 Pump - raw, 5/5,5 l/min. 50/60 Hz



777147 DA 2000 packed gland pump 5.5l



437991 DA 2000 oil dipstick for pump 5.5L

437908 Ceramic piston 5.5l pump



777145 DA 2000 gasket kit 7 pump 5.5l

## 437537 • PNC 06/10

[DA 2000  
front page](#)

777054 DA 2000 brass screw for 5,5L pump



777146 DA 2000 valve pump 5.5L kit 1



777150 DA 2000 gasket kit 13 pumps 5.5l

437911 Axle seal 5.5 l pump



437644 Bypass valve UB 17

Includes:

- 1 x 437121 DA 2000 screw pressure side UB17
- 1 x 437122 DA 2000 screw suction side UB17
- 1 x 437123 DA 2000 CU sealing suction side
- 2 x 437923 Seal 3/8" bypass valve
- 1 x 437924 Seal 1/2" bypass valve



437982 Motor 2.2 kW 5.5/12 litre 230 V 50 Hz



777135 Capacitor 65MF



437545 Thermo valve 3/8" HPC

**437537 • PNC 06/10**[DA 2000  
front page](#)

437956 DA 2000 manometer connection 5.5L pump



437980 Thermal relay 4-6A

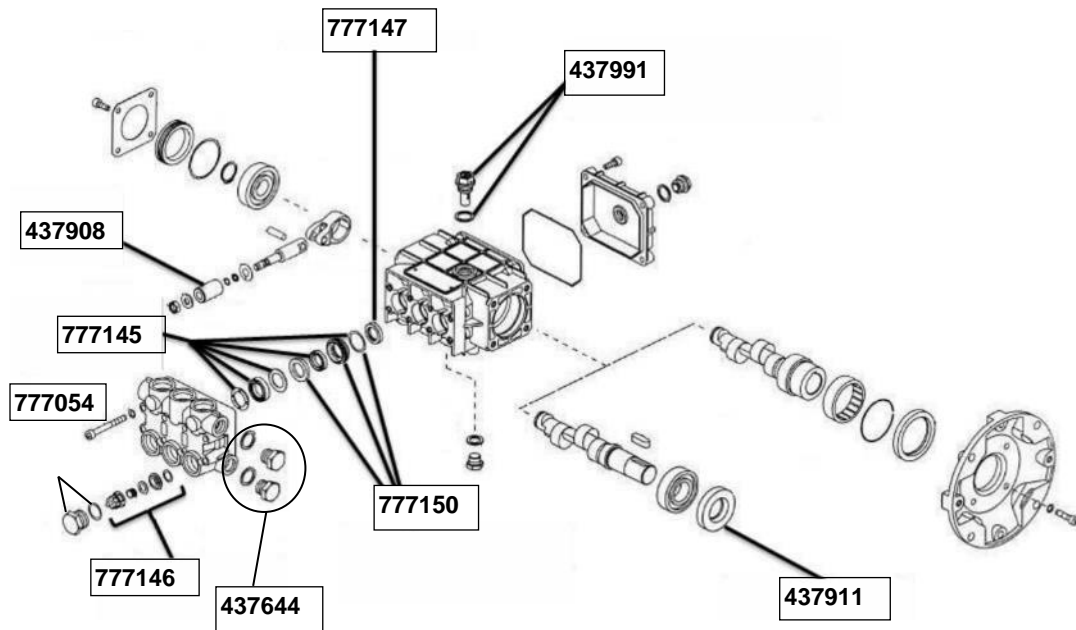
## 6.2.2 437536 • PNC 06/10

437536 • PNC 06/10

[DA 2000  
front page](#)

437925 Pump - raw, 5/5,5 l/min. 50/60 Hz

437925 Pump - raw, 5/5,5 l/min. 50/60 Hz



777147 DA 2000 packed gland pump 5.5l



437991 DA 2000 oil dipstick for pump 5.5L

437908 Ceramic piston 5.5l pump



777145 DA 2000 gasket kit 7 pump 5.5l

## 437536 • PNC 06/10

[DA 2000  
front page](#)

777054 DA 2000 brass screw for 5,5L pump



777146 DA 2000 valve pump 5.5L kit 1



777150 DA 2000 gasket kit 13 pumps 5.5l

437911 Axle seal 5.5 l pump



437644 Bypass valve UB 17

Includes:

- 1 x 437121 DA 2000 screw pressure side UB17
- 1 x 437122 DA 2000 screw suction side UB17
- 1 x 437123 DA 2000 CU sealing suction side
- 2 x 437923 Seal 3/8" bypass valve
- 1 x 437924 Seal 1/2" bypass valve



777046 Motor 1.5KW 5.5/6.6 l 3x400 V, 50/60Hz



437545 Thermo valve 3/8" HPC



437956 DA 2000 manometer connection 5.5L pump



**437536 • PNC 06/10**[DA 2000  
front page](#)**437982 Motor 2.2 kW 5.5/12 litre 230 V 50 Hz****777135 Capacitor 65MF****437980 Thermal relay 4-6A**

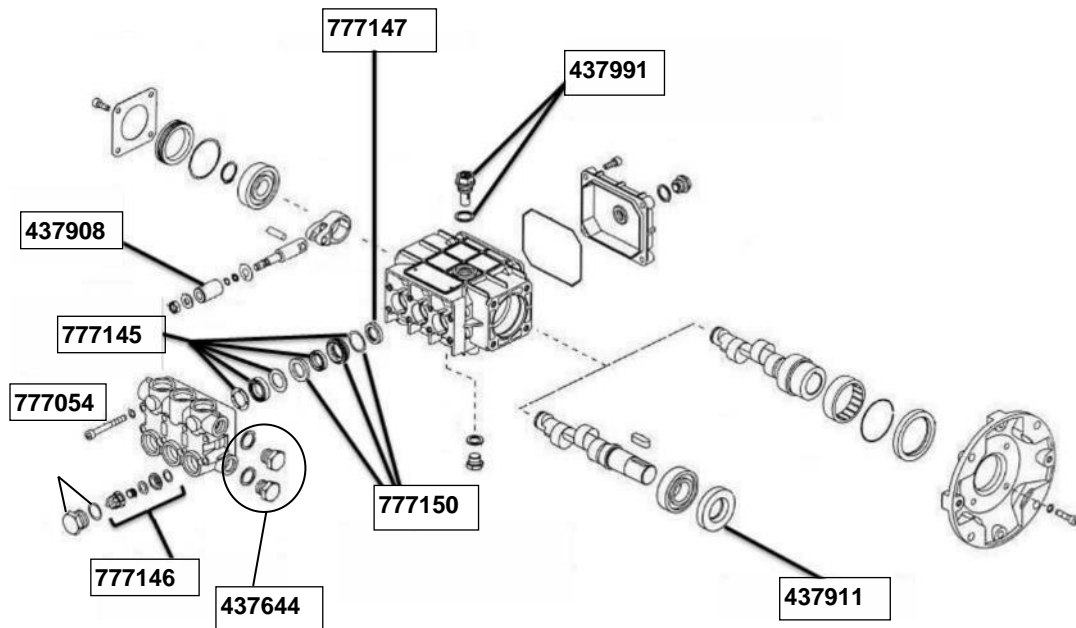
## 6.2.3 437695 • PNC 06/10

437695 • PNC 06/10

[DA 2000  
front page](#)

437925 Pump - raw, 5/5,5 l/min. 50/60 Hz

437925 Pump - raw, 5/5,5 l/min. 50/60 Hz



777147 DA 2000 packed gland pump 5.5l



437991 DA 2000 oil dipstick for pump 5.5L

437908 Ceramic piston 5.5l pump



777145 DA 2000 gasket kit 7 pump 5.5l

437695 • PNC 06/10

[DA 2000  
front page](#)

777054 DA 2000 brass screw for 5,5L pump



777146 DA 2000 valve pump 5.5L kit 1



777150 DA 2000 gasket kit 13 pumps 5.5l

437911 Axle seal 5.5 l pump



437644 Bypass valve UB 17

Includes:

- 1 x 437121 DA 2000 screw pressure side UB17
- 1 x 437122 DA 2000 screw suction side UB17
- 1 x 437123 DA 2000 CU sealing suction side
- 2 x 437923 Seal 3/8" bypass valve
- 1 x 437924 Seal 1/2" bypass valve



437545 Thermo valve 3/8" HPC



437956 DA 2000 manometer connection 5.5L pump



437982 Motor 2.2 kW 5.5/12 liter 230 V 50 Hz

**437695 • PNC 06/10**[DA 2000  
front page](#)**777135 Capacitor 65MF****437980 Thermal relay 4-6A**

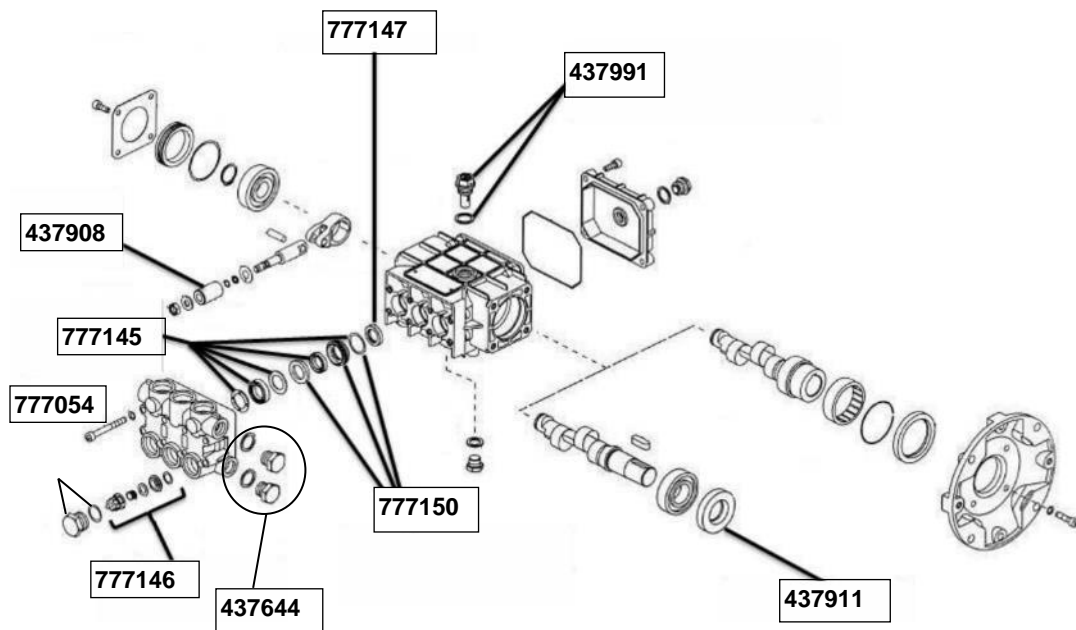
## 6.2.4 437612 • PNC 06/10

437612 • PNC 06/10

[DA 2000  
front page](#)

437925 Pump - raw, 5/5,5 l/min. 50/60 Hz

437925 Pump - raw, 5/5,5 l/min. 50/60 Hz



777147 DA 2000 packed gland pump 5.5l



437991 DA 2000 oil dipstick for pump 5.5L

437908 Ceramic piston 5.5l pump



777145 DA 2000 gasket kit 7 pump 5.5l

## 437612 • PNC 06/10

[DA 2000  
front page](#)

777054 DA 2000 brass screw for 5,5L pump



777146 DA 2000 valve pump 5.5L kit 1



777150 DA 2000 gasket kit 13 pumps 5.5l

437911 Axle seal 5.5 l pump



437644 Bypass valve UB 17

Includes:

- 1 x 437121 DA 2000 screw pressure side UB17
- 1 x 437122 DA 2000 screw suction side UB17
- 1 x 437123 DA 2000 CU sealing suction side
- 2 x 437923 Seal 3/8" bypass valve
- 1 x 437924 Seal 1/2" bypass valve



437545 Thermo valve 3/8" HPC



437956 DA 2000 manometer connection 5.5L pump



437982 Motor 2.2 kW 5.5/12 litre 230 V 50 Hz

437612 • PNC 06/10

[DA 2000 front page](#)



777135 Capacitor 65MF



437980 Thermal relay 4-6A

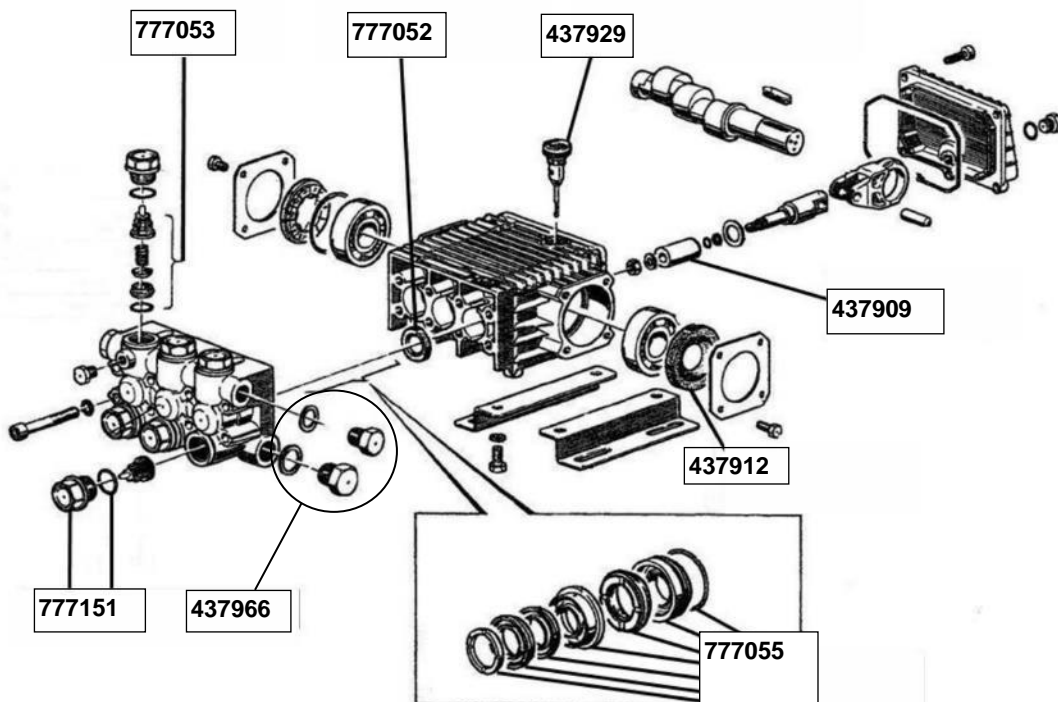
## 6.2.5 437532 • W140

437532 • W140

[DA 2000  
front page](#)

777041 Pump - raw, 12/14 l/min. 50/60 Hz

## 777041 Pump - raw, 12/14 l/min. 50/60 Hz



777053 DA 2000 valve compl pump 12/14l Kit 123

777052 DA 2000 packed gland pump 12/14l kit 23



437929 DA 2000 Dipstick for pump 12 /14L



437909 Ceramic piston 12/14 l pump





**437532 • W140**[DA 2000  
front page](#)**777151 DA 2000 Kit 124 brass screws****777055 DA 2000 gasket set pump 12/14l Kit 131****437912 Axle seal 12/14 l pump****437966 Bypass valve UB 22**

Includes:

- 1 x DA 2000 screw pressure side UB22
- 1 x DA 2000 screw suction side UB22
- 2 x Seal 3/8" bypass valve
- 2 x Seal 1/2" bypass valve

**437982 Motor 2.2 kW 5.5/12 liter 230 V 50 Hz****777135 Capacitor 65MF****437994 DA 2000 pump 12/20 l - thermostatic valve****437645 Valve two-way adapter**

**437532 • W140**[DA 2000  
front page](#)**437919 DA 2000 Thermostate contact 50° C****437953 Thermo valve 1/2"****437980 Thermal relay 3-6A****437967 DA 2000 manometer conn. 12/14L pump**

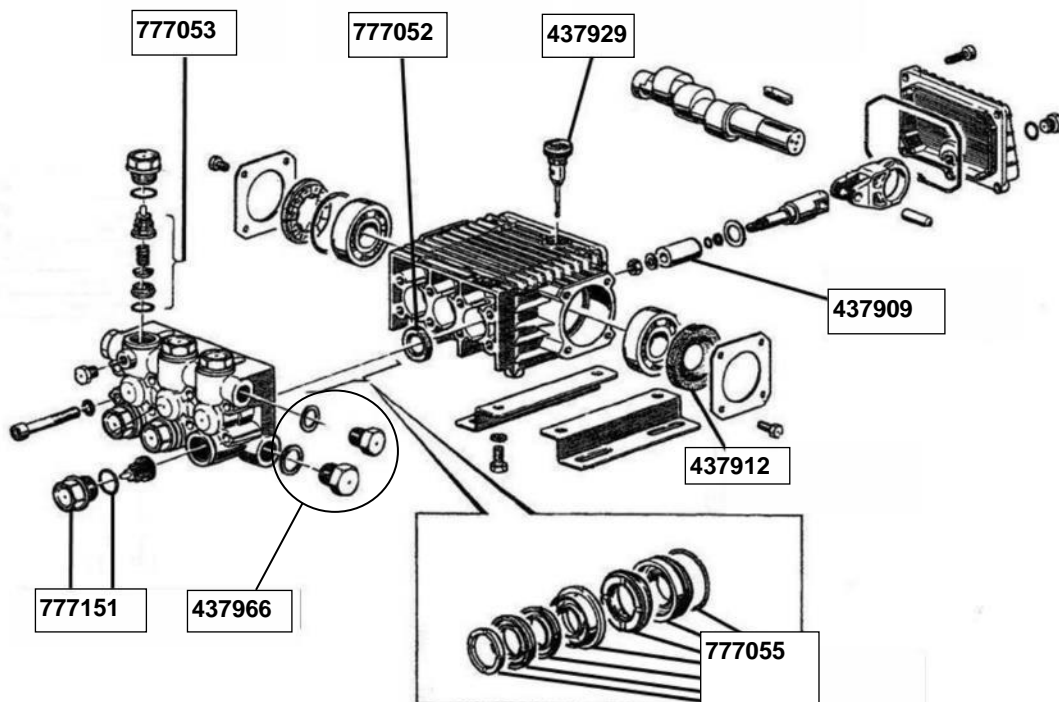
## 6.2.6 437530 • W140

437530 • W140

[DA 2000  
front page](#)

777041 Pump - raw, 12/14 l/min. 50/60 Hz

777041 Pump - raw, 12/14 l/min. 50/60 Hz



777053 DA 2000 valve compl pump 12/14l Kit 123

777052 DA 2000 packed gland pump 12/14l kit 23



437929 DA 2000 Dipstick for pump 12 /14L



437909 Ceramic piston 12/14 l pump



**437530 • W140**[DA 2000  
front page](#)**777151 DA 2000 Kit 124 brass screws****777055 DA 2000 gasket set pump 12/14I Kit 131****437912 Axle seal 12/14 I pump****437966 Bypass valve UB 22**

Includes:

- 1 x DA 2000 screw pressure side UB22
- 1 x DA 2000 screw suction side UB22
- 2 x Seal 3/8" bypass valve
- 2 x Seal 1/2" bypass valve

**777048 Motor 2.2kw 12/14 I 3x400/230V 50/60Hz****437994 DA 2000 pump 12/20 I - thermostatic valve****437645 Valve two-way adapter****437919 DA 2000 Thermostate contact 50° C**

437530 • W140

[DA 2000 front page](#)



437953 Thermo valve 1/2"



437980 Thermal relay 3-6A



437967 DA 2000 manometer conn. 12/14L pump

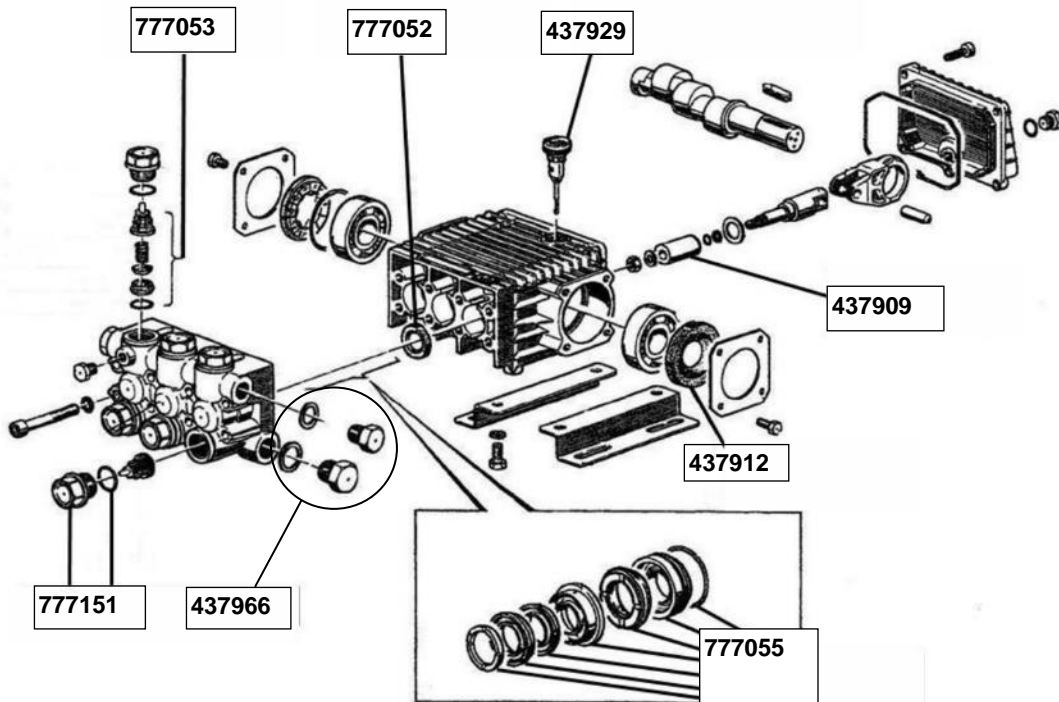
6.2.7 437534 • W140

**437534 • W140** [DA 2000 front page](#)



777041 Pump - raw, 12/14 l/min. 50/60 Hz

**777041 Pump - raw, 12/14 l/min. 50/60 Hz**



777053 DA 2000 valve compl pump 12/14l Kit 123

777052 DA 2000 packed gland pump 12/14l kit 23



437929 DA 2000 Dipstick for pump 12 /14L



437909 Ceramic piston 12/14 l pump



**437534 • W140**[DA 2000  
front page](#)**777151 DA 2000 Kit 124 brass screws****777055 DA 2000 gasket set pump 12/14I Kit 131****437912 Axle seal 12/14 I pump****437966 Bypass valve UB 22**

Includes:

- 1 x DA 2000 screw pressure side UB22
- 1 x DA 2000 screw suction side UB22
- 2 x Seal 3/8" bypass valve
- 2 x Seal 1/2" bypass valve

**777135 Capacitor 65MF****437645 Valve two-way adapter****437919 DA 2000 Thermostate contact 50° C****437980 Thermal relay 3-6A**

437534 • W140

[DA 2000  
front page](#)



437967 DA 2000 manometer conn. 12/14L pump



## 6.2.8 437531 • WS82

## 437531 • WS82

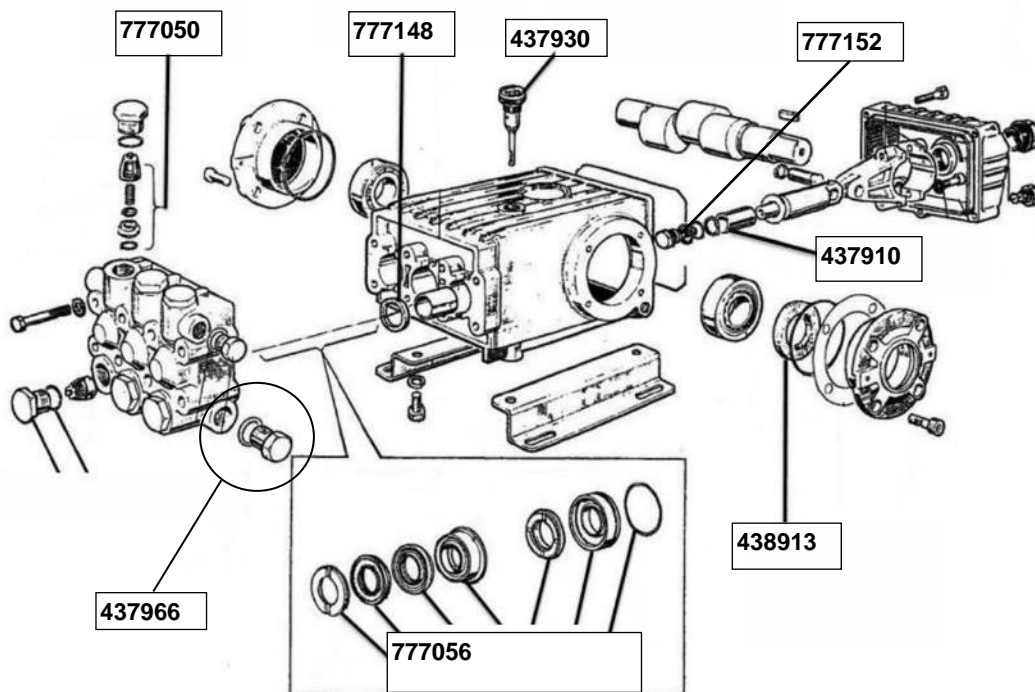
[DA 2000  
front page](#)


## 438906 Pump V2 21 l/min - BC 21/15 S

Please remember that the bypass valve 438154 needs to be ordered together with the pump.

## 438154 Bypass valve VRF2

\*777042 Pump - raw, 21/25 l/min. 50/60 Hz



## 777050 DA 2000 valve pump 21/24l kit 1



## 777148 DA 2000 packed gland pump 21/25l



## 437531 • WS82

[DA 2000  
front page](#)

437930 DA 2000 dip stick for pump 21/25L

777152 DA 2000 kit 6 for 21 l pump



437910 Ceramic piston 21 l pump



777056 DA 2000 gasket set pump 21/25l kit 28



438913 Axle seal 21 l pump kit 3



437966 Bypass valve UB 22

Includes:

- 1 x DA 2000 screw pressure side UB22
- 1 x DA 2000 screw suction side UB22
- 2 x Seal 3/8" bypass valve
- 2 x Seal 1/2" bypass valve



777049 Motor 3KW 21/25 l 3x400 V, 50/60Hz



438913 Axle seal 21 l pump

**437531 • WS82**[DA 2000  
front page](#)**437994 DA 2000 pump 12/20 I - thermostatic valv****437645 Valve two-way adapter****437919 DA 2000 Thermostate contact 50° C****437978 Thermal relay 6-9A**

\*The product is phased out

## 6.2.9 437535 • WS82

## 437535 • WS82

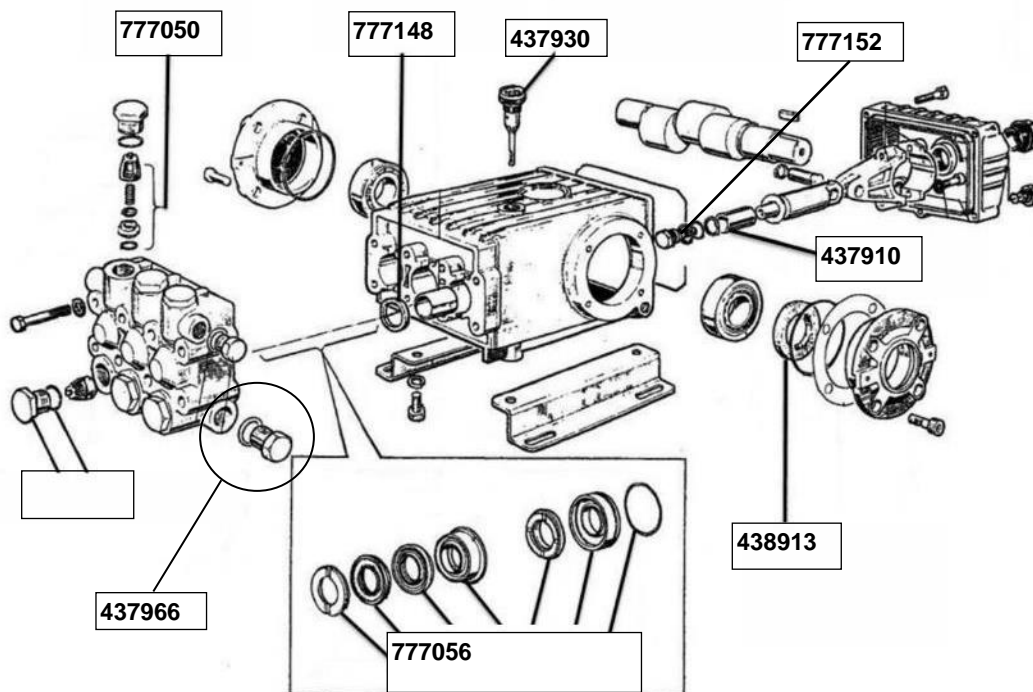
[DA 2000 front page](#)

## 438906 Pump V2 21 l/min - BC 21/15 S

Please remember that the bypass valve 438154 needs to be ordered together with the pump.

## 438154 Bypass valve VRF2

\*777042 Pump - raw, 21/25 l/min. 50/60 Hz



## 777050 DA 2000 valve pump 21/24l kit 1



## 777148 DA 2000 packed gland pump 21/25l

## 437535 • WS82

[DA 2000  
front page](#)

437930 DA 2000 dip stick for pump 21/25L

777152 DA 2000 kit 6 for 21 l pump



437910 Ceramic piston 21 l pump



777056 DA 2000 gasket set pump 21/25l kit 28



438913 Axle seal 21 l pump kit 3



437966 Bypass valve UB 22

Includes:

- 1 x DA 2000 screw pressure side UB22
- 1 x DA 2000 screw suction side UB22
- 2 x Seal 3/8" bypass valve
- 2 x Seal 1/2" bypass valve



437993 Motor 3 kW 21/25 litres 1x230V 60 Hz



777144 Capacitor 40MF



438913 Axle seal 21 l pump

**437535 • WS82**[DA 2000  
front page](#)**437994 DA 2000 pump 12/20 I - thermostatic valve****437645 Valve two-way adapter****437919 DA 2000 Thermostate contact 50° C****437978 Thermal relay 6-9A**



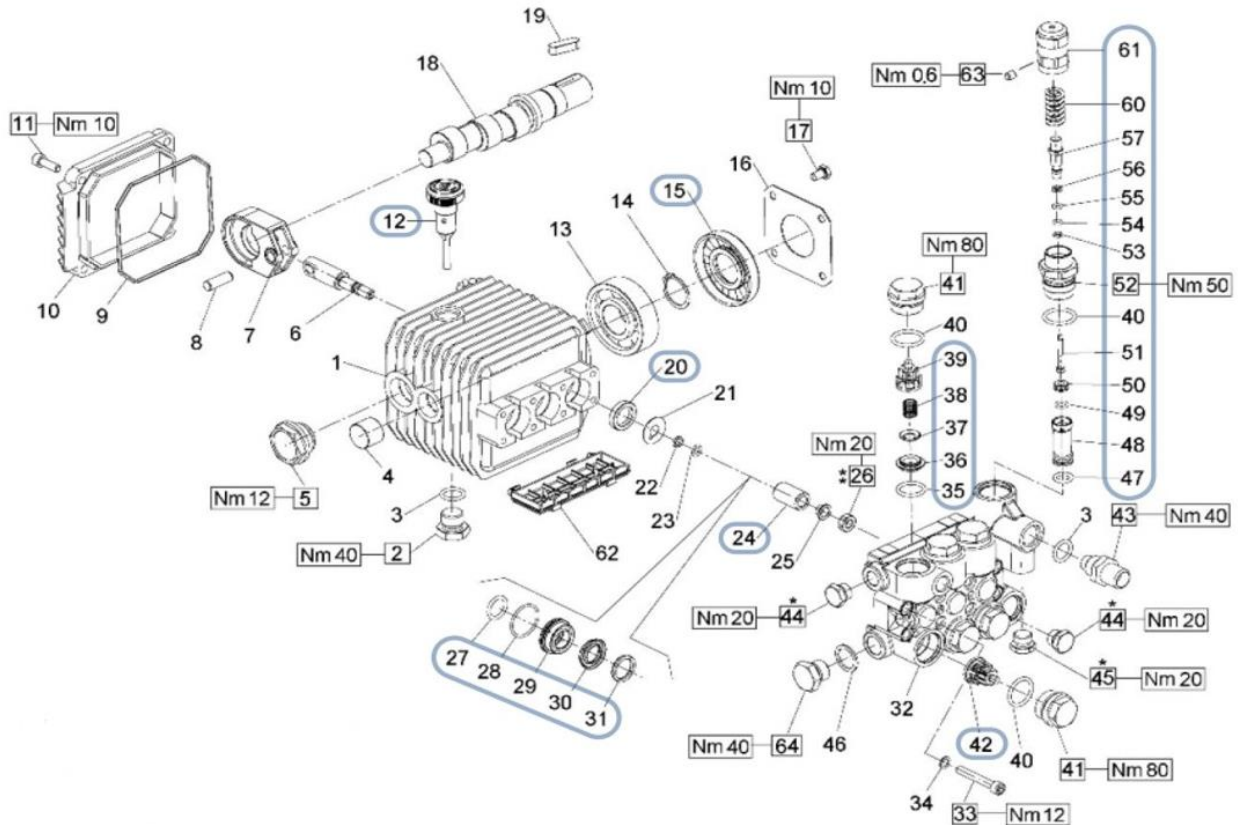
## 6.2.10 437150 • FE5106M



437150 • FE5106M

[DA 2000  
front page](#)

438110 Pump V2 6 l/min - FE5106M

## 438110 Pump V2 6 l/min - FE5106M



Pos.		
12		437929 DA 2000 Dipstick for pump 12 /14L
15		437912 Axle seal 12/14 l pump
20		438111 Piston washer
24		438112 Ceramic piston
42 + 35-39		777053 DA 2000 valve compl pump 12/14l Kit 123

## 437150 • FE5106M

[DA 2000  
front page](#)

27-31



438113 Kit 96 - Gasket kit

40 +  
47-57  
+ 60-  
61 +  
63

438114 Kit 267 - Repair kit bypass



438918 Thermostatic valve for FE5106M



438920 Motor 1.5 kW 1x230V 50Hz



438915 DA 2000 manometer conn. 128 mm



437986 Suspension for pump complete

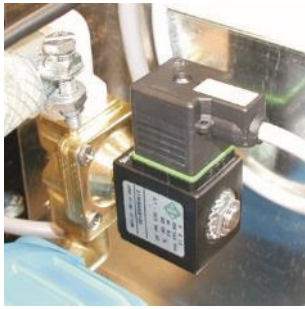
510012 Hose connection R1/2" / 3/4", brass



345056 Rubber suspension f. cooling pump bottom



437150 • FE5106M

[DA 2000  
front page](#)

437973 Solenoid valve 1/2" 16 bar



437946 Coil f. solenoid valve



437978 Cable for solenoid valve pumps



437997 Membrane for solenoid valve



437963 Pressure contactor



437965 Gasket 3/8", external



437960 Hose, hydraulic 108x10

**437150 • FE5106M**[DA 2000  
front page](#)**437959 Manometer 160 bar**

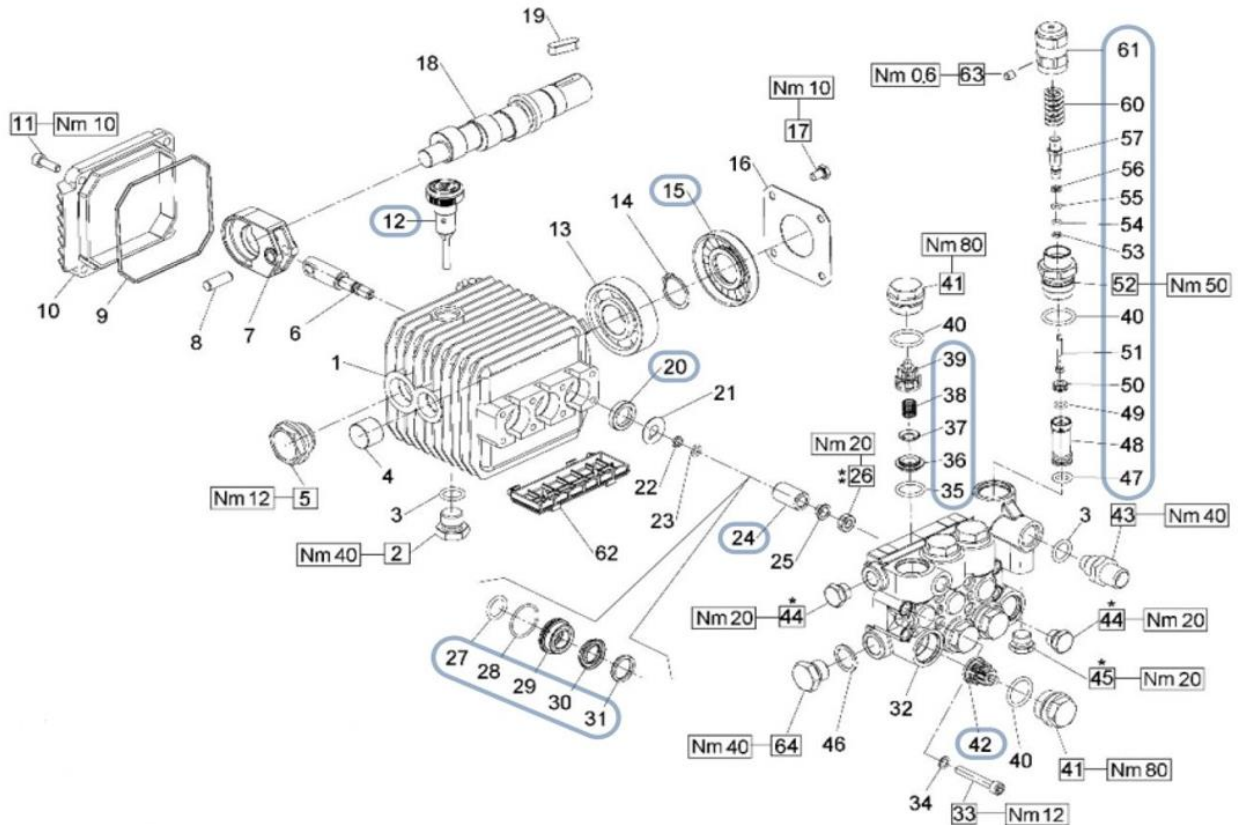
## 6.2.11 437151 • FE5106M



437151 • FE5106M

[DA 2000  
front page](#)

438110 Pump V2 6 l/min - FE5106M

## 438110 Pump V2 6 l/min - FE5106M



Pos.		
12		437929 DA 2000 Dipstick for pump 12 /14L
15		437912 Axle seal 12/14 l pump
20		438111 Piston washer
24		438112 Ceramic piston
42 + 35-39		777053 DA 2000 valve compl pump 12/14l Kit 123

## 437151 • FE5106M

[DA 2000  
front page](#)

27-31



438113 Kit 96 - Gasket kit

40 +  
47-57  
+ 60-  
61 +  
63

438114 Kit 267 - Repair kit bypass



438918 Thermostatic valve for FE5106M

777130 Motor 1.5kW 3x400/230V 50/60Hz



438915 DA 2000 manometer conn. 128 mm



437986 Suspension for pump complete

510012 Hose connection R1/2" / 3/4", brass



345056 Rubber suspension f. cooling pump bottom



437973 Solenoid valve 1/2" 16 bar

437151 • FE5106M

[DA 2000  
front page](#)

437946 Coil f. solenoid valve



439798 Cable for solenoid valve pumps



437997 Membrane for solenoid valve



437963 Pressure contactor



437965 Gasket 3/8", external



437960 Hose, hydraulic 108x10



437959 Manometer 160 bar

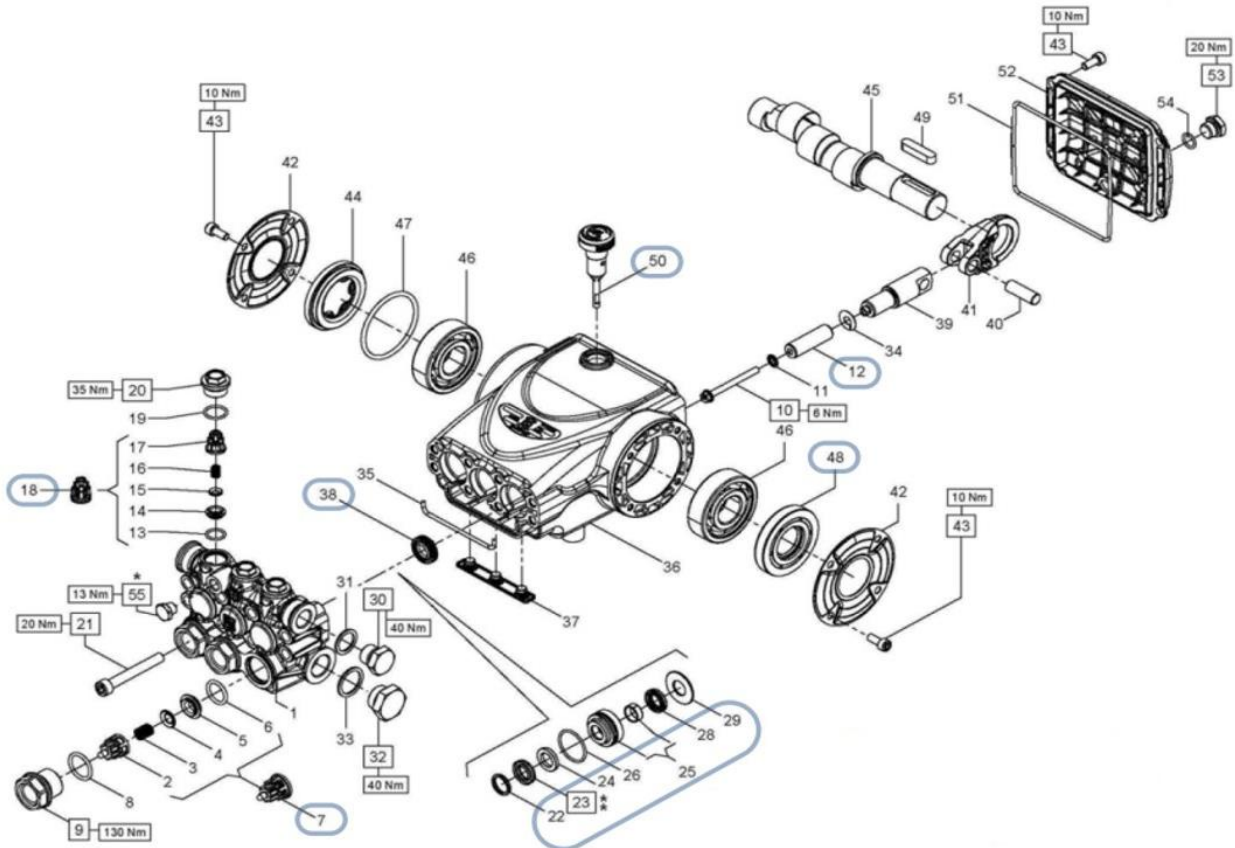
6.2.12 437152 • E2B1712


**437152 • E2B1712** [DA 2000](#)  
[front page](#)



438115 Pump V2 12/14 l/min - E2B1712

**438115 Pump V2 12/14 l/min - E2B1712**



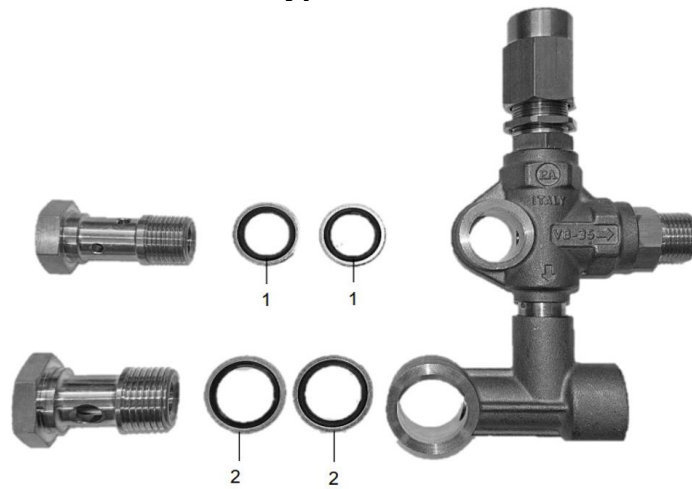
Pos.		
7+18		438117 Kit 269 - Valve kit
12		438116 Ceramic piston
22-26 +28-29		438118 Kit 277
38		438119 Piston washer
48		437912 Axle seal 12/14 l pump
50		438120 Oil breather plug





437152 • E2B1712

[DA 2000  
front page](#)

## 438121 Bypass-valve VB 35



Pos.		
1		437923 Seal 3/8" bypass valve
2		437924 Seal 1/2" bypass valve



437994 DA 2000 pump 12/20 I - thermostatic valve



438921 Motor 2.2 kW 1x230V 50Hz



438917 DA 2000 manometer conn. 50 mm



437986 Suspension for pump complete

**437152 • E2B1712**[DA 2000  
front page](#)**510012** Hose connection R1/2" / 3/4", brass**437973** Solenoid valve 1/2" 16 bar**437946** Coil f. solenoid valve**437978** Cable for solenoid valve pumps**437997** Membrane for solenoid valve**437963** Pressure contactor**437965** Gasket 3/8", external**437960** Hose, hydraulic 108x10



437152 • E2B1712

[DA 2000](#)  
[front page](#)



437959 Manometer 160 bar

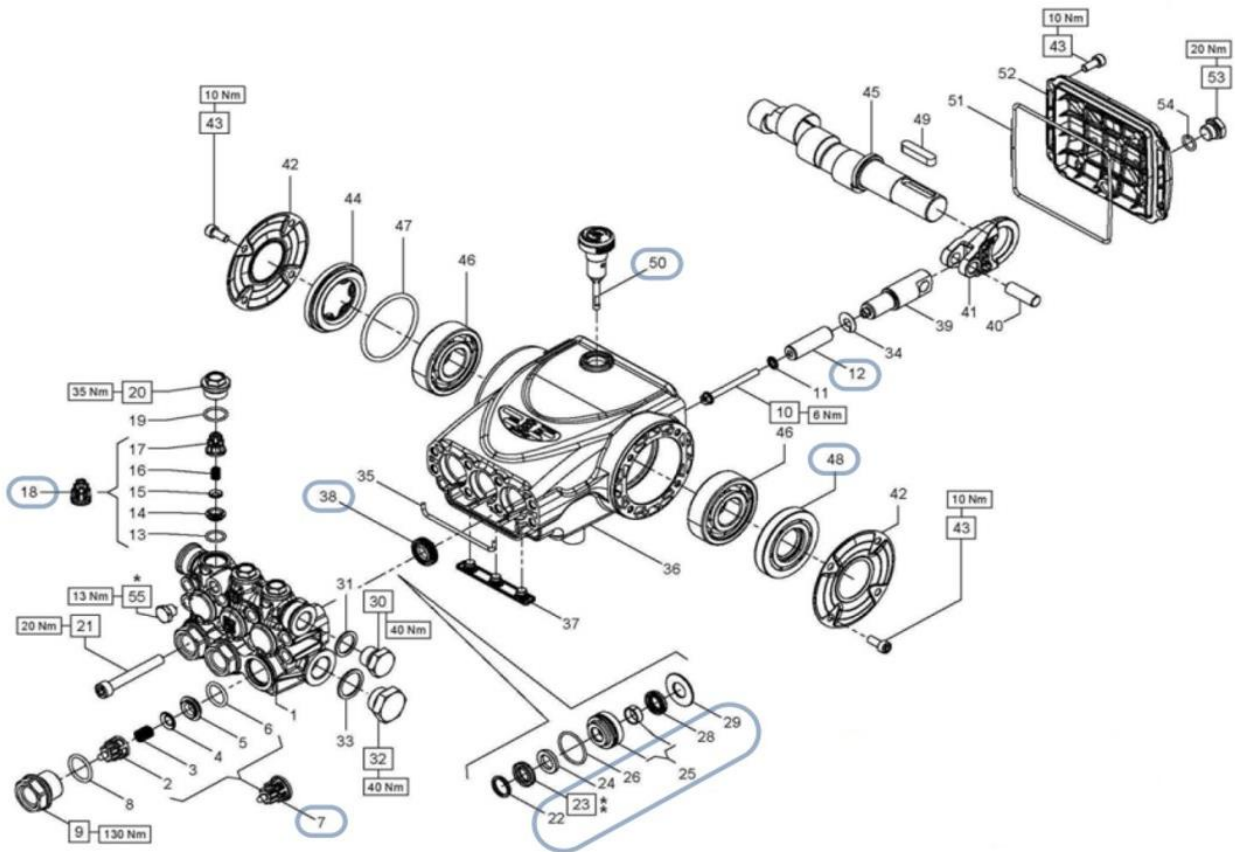
6.2.13 437153 • E2B1712


**437153 • E2B1712** [DA 2000](#)  
[front page](#)



438115 Pump V2 12/14 l/min - E2B1712

**438115 Pump V2 12/14 l/min - E2B1712**

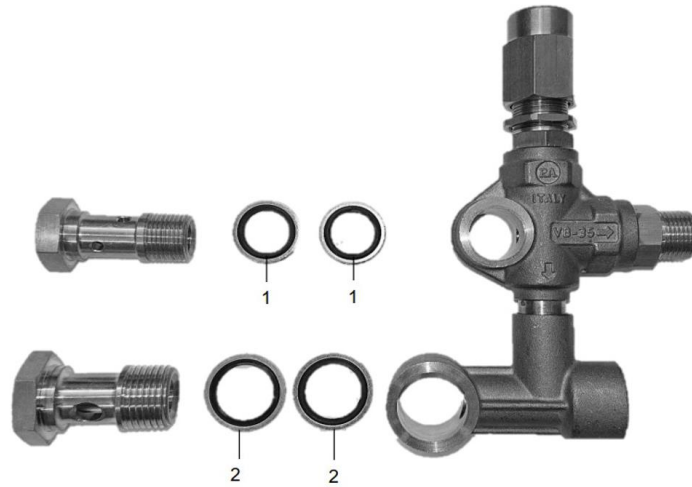




Pos.		
7+18		438117 Kit 269 - Valve kit
12		438116 Ceramic piston
22-26 +28-29		438118 Kit 277
38		438119 Piston washer
48		437912 Axle seal 12/14 l pump
50		438120 Oil breather plug

437153 • E2B1712

[DA 2000  
front page](#)

## 438121 Bypass-valve VB 35



Pos.		
1		437923 Seal 3/8" bypass valve
2		437924 Seal 1/2" bypass valve



437994 DA 2000 pump 12/20 I - thermostatic valve



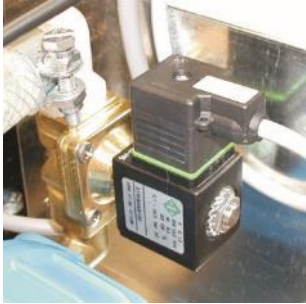
777048 Motor 2.2kw 12/14 I 3x400/230V 50/60Hz



438916 DA 2000 manometer conn. 60 mm



437986 Suspension for pump complete

**437153 • E2B1712**[DA 2000  
front page](#)**510012** Hose connection R1/2" / 3/4", brass**437973** Solenoid valve 1/2" 16 bar**437946** Coil f. solenoid valve**437978** Cable for solenoid valve pumps**437997** Membrane for solenoid valve**437963** Pressure contactor**437965** Gasket 3/8", external**437960** Hose, hydraulic 108x10

437153 • E2B1712

[DA 2000](#)  
[front page](#)



437959 Manometer 160 bar

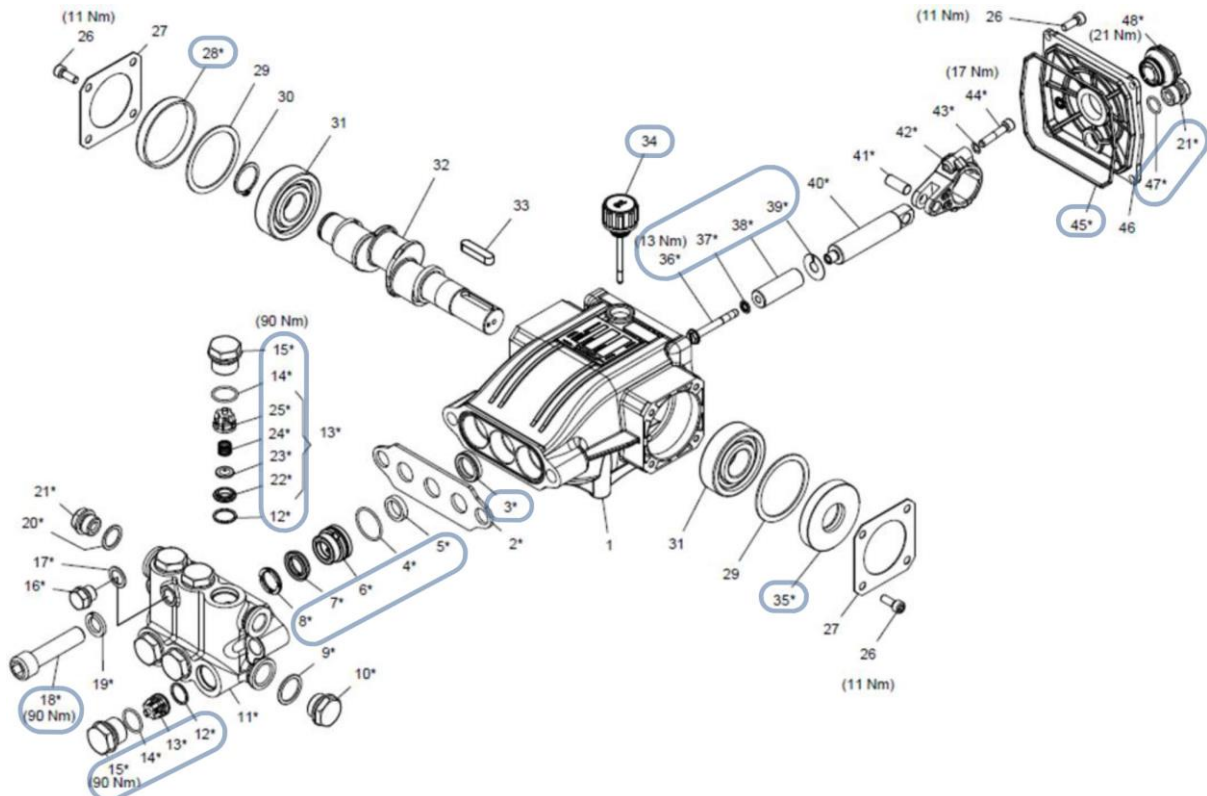
## 6.2.14 437165 • NHDP1212R

437165 • NHDP1212R

[DA 2000](#)  
[front page](#)

438152 PUMP V3 Hawk 12/14 l/min NHDP1212R

## 438152 PUMP V3 Hawk 12/14 l/min NHDP1212R



Pos.	
4+5+6+7+ 8+18	438146 Gasket Kit A NDHP1212R
12+13+14 +15	438147 Valve Kit B NDHP1212R
36+37+38 + 39	438148 Ceramic piston Kit C NDHP1212R
3	438149 Piston washer Kit D NHDP1212R
34	438150 Oil vent plug NHDP1212R
21+28+35 +45+47+ 48	438151 Crankcase seals Kit E NHDP1212R

437165 • NHDP1212R

[DA 2000](#)  
[front page](#)

438153 Bypass-valve VBT NHD



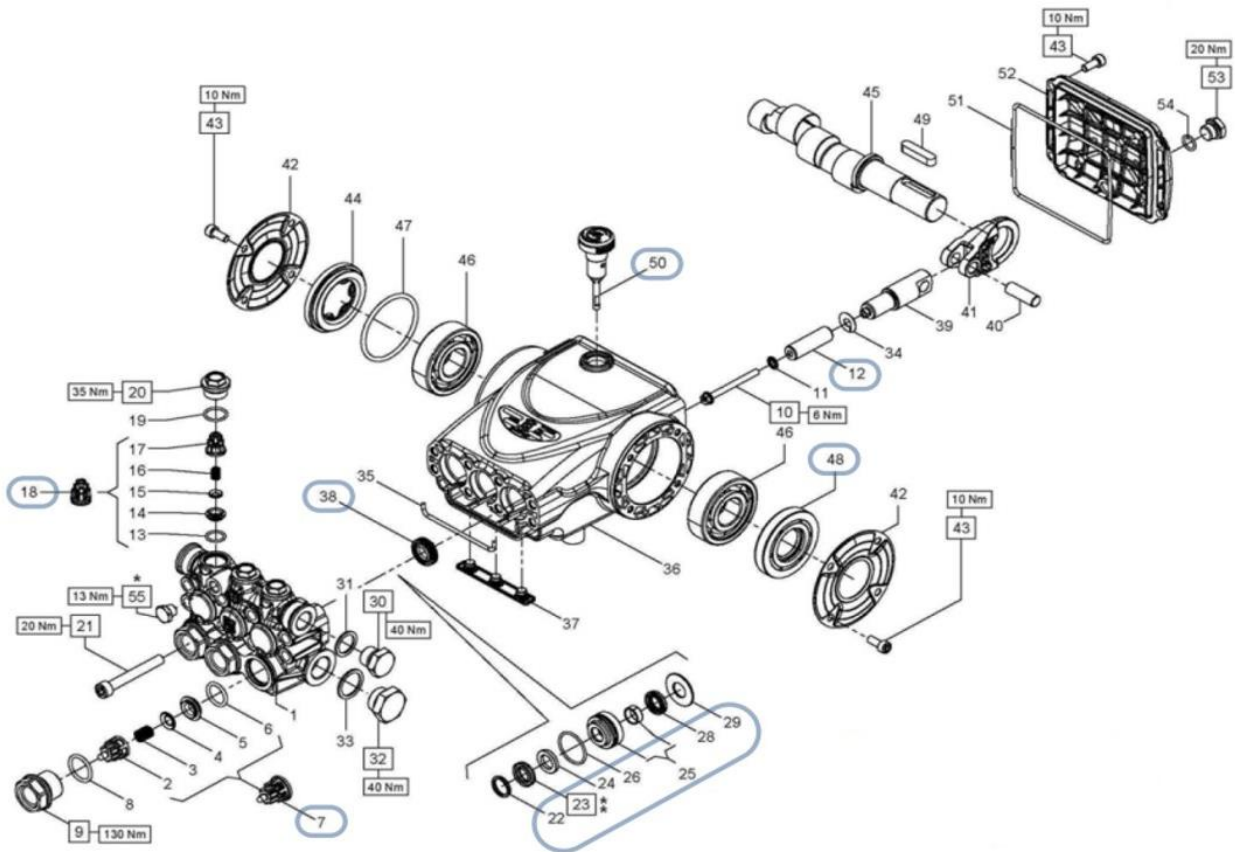
6.2.15 437154 • E2B1712


**437154 • E2B1712** [DA 2000 front page](#)



438115 Pump V2 12/14 l/min - E2B1712

**438115 Pump V2 12/14 l/min - E2B1712**



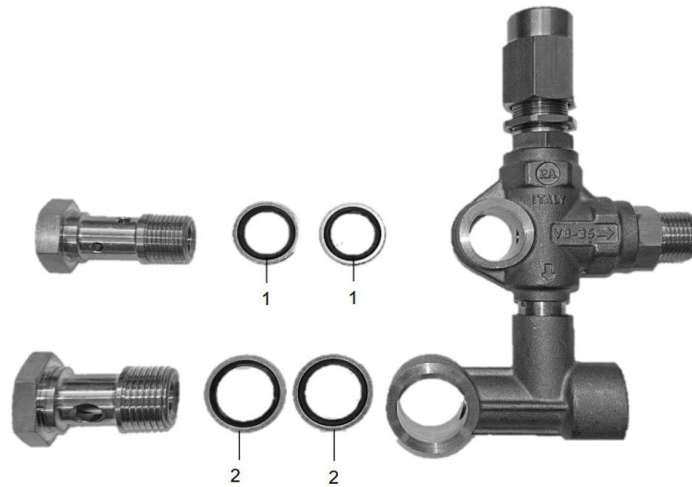
Pos.	
7+18	438117 Kit 269 - Valve kit
12	438116 Ceramic piston
22-26 +28-29	438118 Kit 277
38	 438119 Piston washer
48	437912 Axle seal 12/14 l pump
50	438120 Oil breather plug





437154 • E2B1712

[DA 2000  
front page](#)

## 438121 Bypass-valve VB 35



Pos.		
1		437923 Seal 3/8" bypass valve
2		437924 Seal 1/2" bypass valve



437994 DA 2000 pump 12/20 I - thermostatic valve



777048 Motor 2.2kw 12/14 I 3x400/230V 50/60Hz



438916 DA 2000 manometer conn. 60 mm



437986 Suspension for pump complete

437154 • E2B1712

[DA 2000  
front page](#)

510012 Hose connection R1/2" / 3/4", brass



437973 Solenoid valve 1/2" 16 bar



437946 Coil f. solenoid valve



437978 Cable for solenoid valve pumps



437997 Membrane for solenoid valve



437963 Pressure contactor



437965 Gasket 3/8", external



437960 Hose, hydraulic 108x10

437154 • E2B1712

[DA 2000](#)  
[front page](#)



437959 Manometer 160 bar

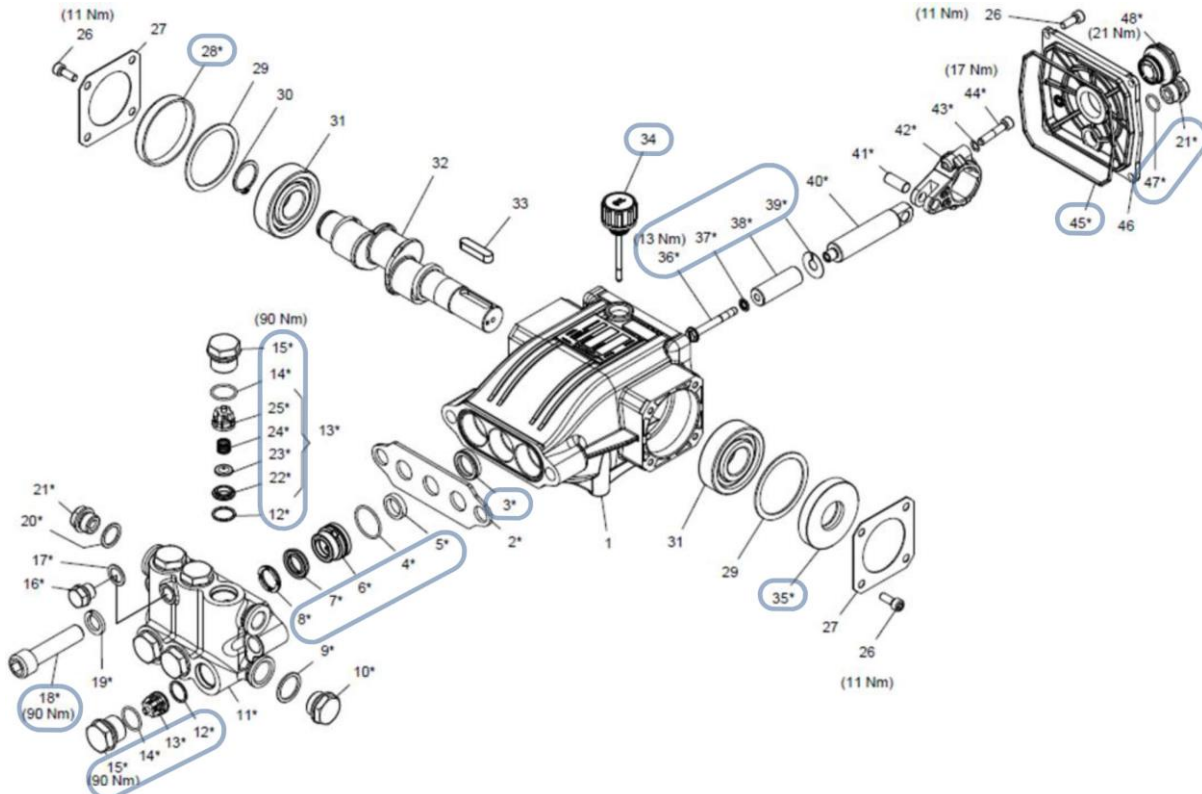
6.2.16 437166 • NHDP1212R

**437166 • NHDP1212R** [DA 2000](#)  
[front page](#)

438152 PUMP V3 Hawk 12/14 l/min NHDP1212R



**438152 PUMP V3 Hawk 12/14 l/min NHDP1212R**



Pos.	
4+5+6+7+ 8+18	438146 Gasket Kit A NDHP1212R
12+13+14 +15	438147 Valve Kit B NDHP1212R
36+37+38 + 39	438148 Ceramic piston Kit C NDHP1212R
3	438149 Piston washer Kit D NHDP1212R
34	438150 Oil vent plug NHDP1212R
21+28+35 +45+47+ 48	438151 Crankcase seals Kit E NHDP1212R

437166 • NHDP1212R

[DA 2000](#)  
[front page](#)

438153 Bypass-valve VBT NHD



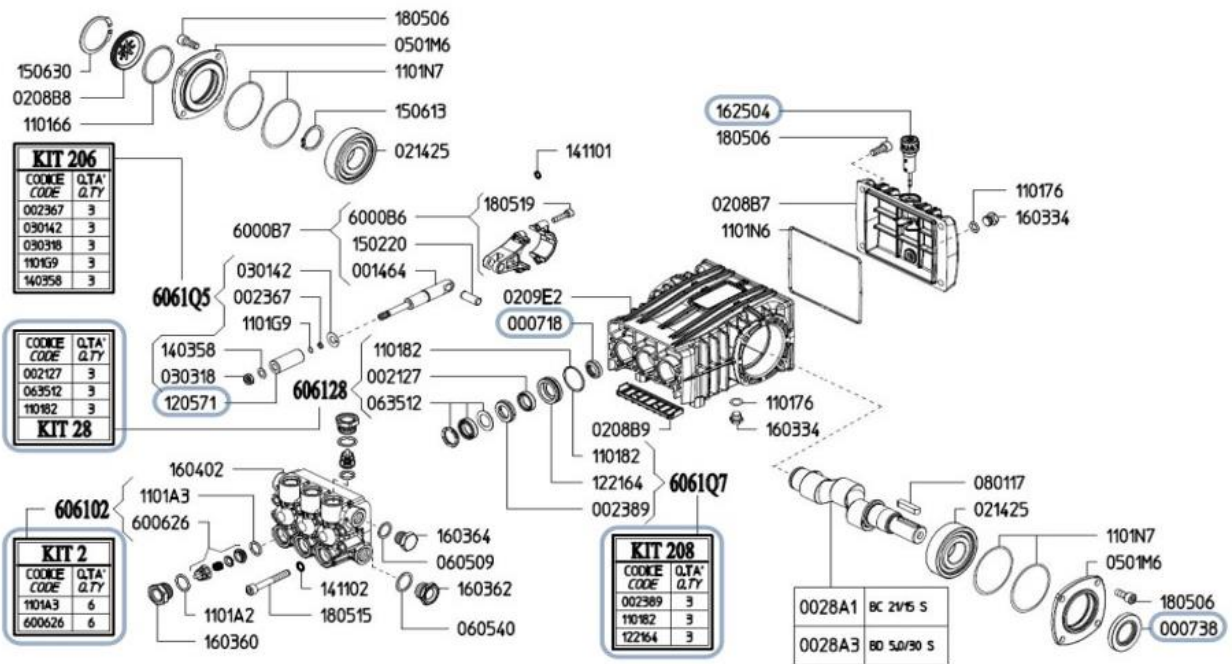
6.2.17 437155 • BD 5.0/30 S




**437155 • BD 5.0/30 S** [DA 2000 front page](#)




438122 Pump V2 18.5 l/min - BD 5.0/30 S


**438122 Pump V2 18.5 l/min - BD 5.0/30 S**





Pos.		
718		777147 DA 2000 packed gland pump 5.5 l
738		438123 Shaft sealing
120571		438124 Ceramic piston

**437155 • BD 5.0/30 S** [DA 2000 front page](#)

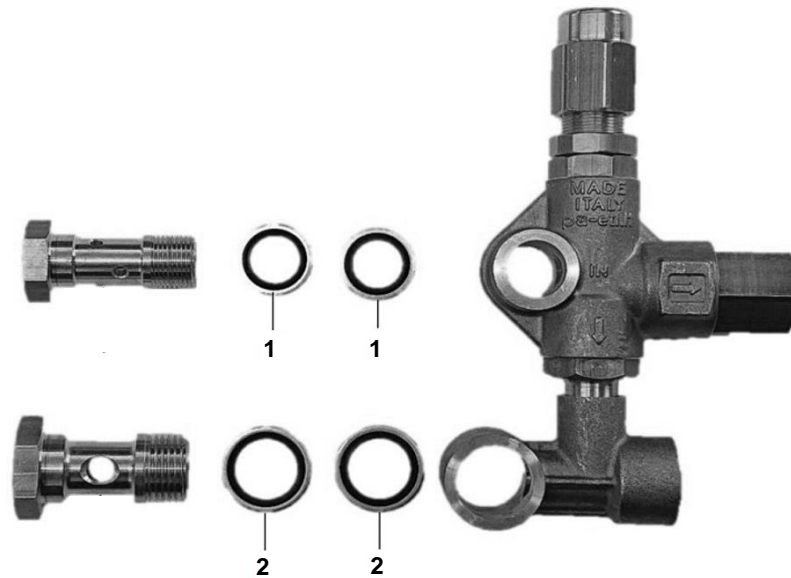
<b>162504</b>		<b>438125 Oil breather plug</b>
---------------	---	---------------------------------


<b>KIT 2</b>		<b>438126 Valve kit</b>
--------------	---	-------------------------

<b>KIT 28</b>		<b>438127 Kit 28 - Gasket kit</b>
---------------	---	-----------------------------------

<b>KIT 208</b>		<b>438128 Kit 208 - Gasket kit</b>
----------------	--	------------------------------------

**438907 Bypass valve UB23**



<b>Pos.</b>		
<b>1</b>		<b>437923 Seal 3/8" bypass valve</b>



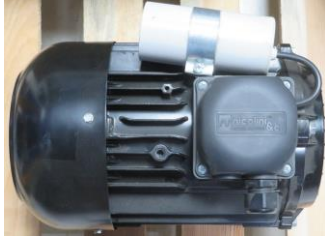
## 437155 • BD 5.0/30 S

[DA 2000  
front page](#)

2



437924 Seal 1/2" bypass valve



437993 Motor 3kW 1x230V 60Hz



438914 DA 2000 manometer conn. 33 mm



437986 Suspension for pump complete

510012 Hose connection R1/2" / 3/4", brass



437973 Solenoid valve 1/2" 16 bar



437946 Coil f. solenoid valve



439798 Cable for solenoid valve pumps



**437155 • BD 5.0/30 S**[DA 2000  
front page](#)**437997 Membrane for solenoid valve****437963 Pressure contactor****437965 Gasket 3/8", external****437960 Hose, hydraulic 108x10****437959 Manometer 160 bar**

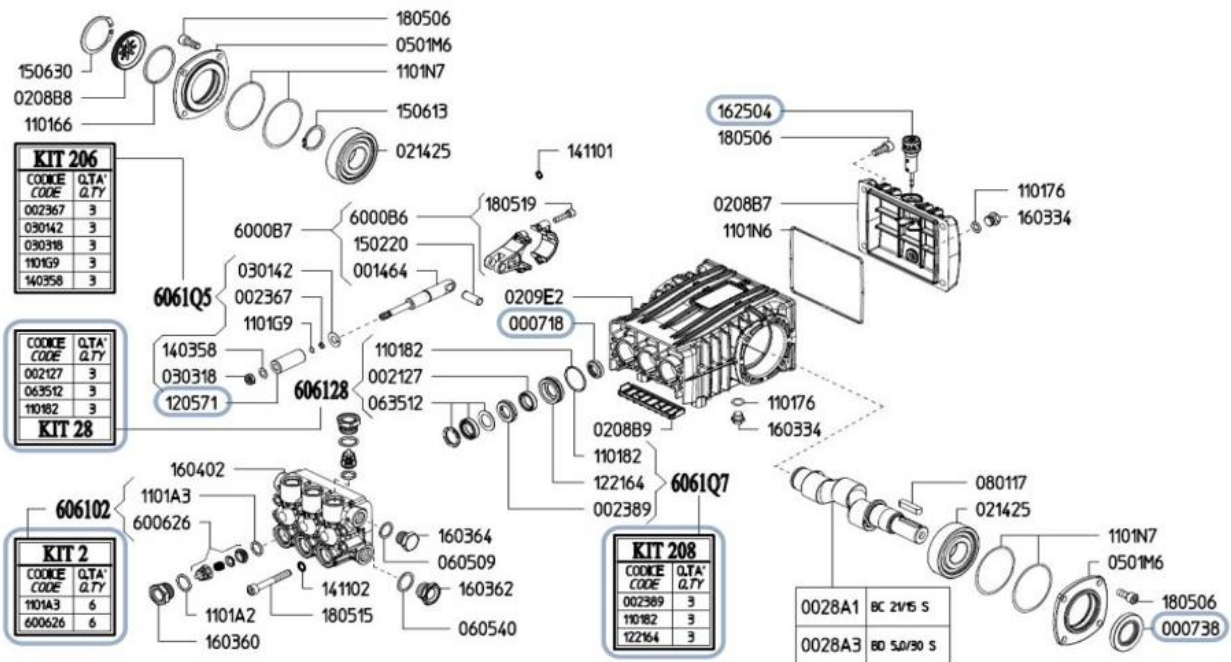
6.2.18 437156 • BD 5.0/30 S




437156 • BD 5.0/30 S [DA 2000 front page](#)




438122 Pump V2 18.5 l/min - BD 5.0/30 S


438122 Pump V2 18.5 l/min - BD 5.0/30 S





Pos.		
718		777147 DA 2000 packed gland pump 5.5 l
738		438123 Shaft sealing
120571		438124 Ceramic piston

**437156 • BD 5.0/30 S** [DA 2000 front page](#)

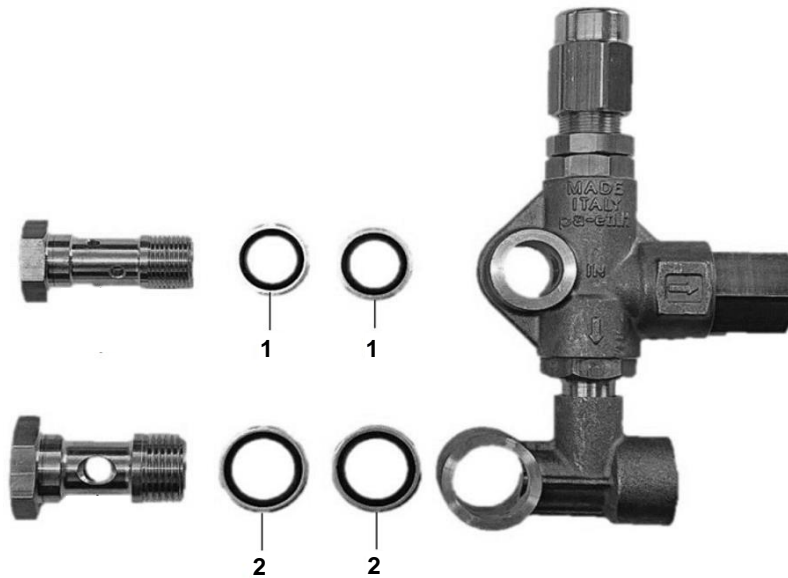
<b>162504</b>		<b>438125 Oil breather plug</b>
---------------	---	---------------------------------



<b>KIT 2</b>		<b>438126 Valve kit</b>
--------------	---	-------------------------

<b>KIT 28</b>		<b>438127 Kit 28 - Gasket kit</b>
---------------	---	-----------------------------------

<b>KIT 208</b>		<b>438128 Kit 208 - Gasket kit</b>
----------------	--	------------------------------------

**438907 Bypass valve UB23**



Pos.		
<b>1</b>		<b>437923 Seal 3/8" bypass valve</b>
<b>2</b>		<b>437924 Seal 1/2" bypass valve</b>

**437156 • BD 5.0/30 S**[DA 2000  
front page](#)

438914 DA 2000 manometer conn. 33 mm



437986 Suspension for pump complete

510012 Hose connection R1/2" / 3/4", brass



437973 Solenoid valve 1/2" 16 bar



437946 Coil f. solenoid valve



439798 Cable for solenoid valve pumps



437997 Membrane for solenoid valve



437963 Pressure contactor

**437156 • BD 5.0/30 S**[DA 2000  
front page](#)**437965 Gasket 3/8", external****437960 Hose, hydraulic 108x10****437959 Manometer 160 bar**

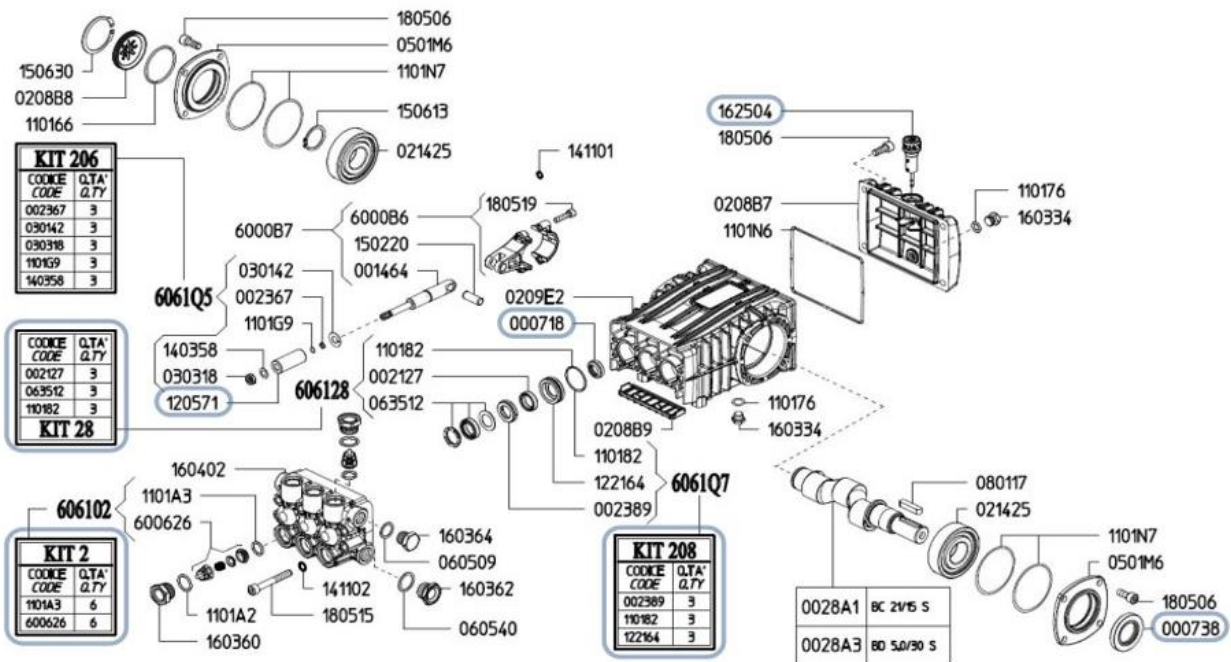
6.2.19 437158 • BD 5.0/30 S

437158 • BD 5.0/30 S [DA 2000 front page](#)



438122 Pump V2 18.5 l/min - BD 5.0/30 S


438122 Pump V2 18.5 l/min - BD 5.0/30 S





Pos.		
718		777147 DA 2000 packed gland pump 5.5 l
738		438123 Shaft sealing
120571		438124 Ceramic piston




**437158 • BD 5.0/30 S** [DA 2000 front page](#)

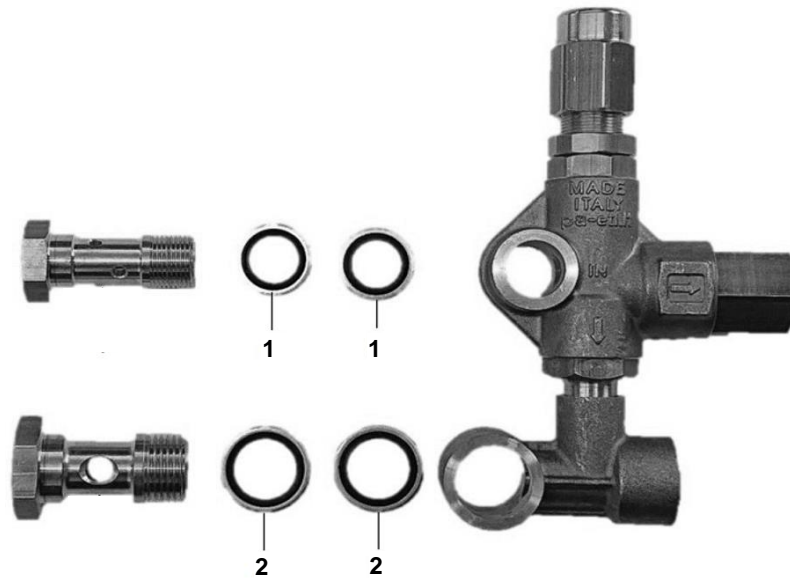
<b>162504</b>		<b>438125 Oil breather plug</b>
---------------	---	---------------------------------



<b>KIT 2</b>		<b>438126 Valve kit</b>
--------------	---	-------------------------

<b>KIT 28</b>		<b>438127 Kit 28 - Gasket kit</b>
---------------	---	-----------------------------------

<b>KIT 208</b>		<b>438128 Kit 208 - Gasket kit</b>
----------------	--	------------------------------------

**438907 Bypass valve UB23**



<b>Pos.</b>		
<b>1</b>		<b>437923 Seal 3/8" bypass valve</b>
<b>2</b>		<b>437924 Seal 1/2" bypass valve</b>

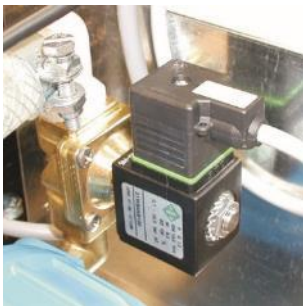
**437158 • BD 5.0/30 S**[DA 2000  
front page](#)

438914 DA 2000 manometer conn. 33 mm



437986 Suspension for pump complete

510012 Hose connection R1/2" / 3/4", brass



437973 Solenoid valve 1/2" 16 bar



437946 Coil f. solenoid valve



439798 Cable for solenoid valve pumps



437997 Membrane for solenoid valve



437963 Pressure contactor



**437158 • BD 5.0/30 S**[DA 2000  
front page](#)**437965 Gasket 3/8", external****437960 Hose, hydraulic 108x10****437959 Manometer 160 bar**

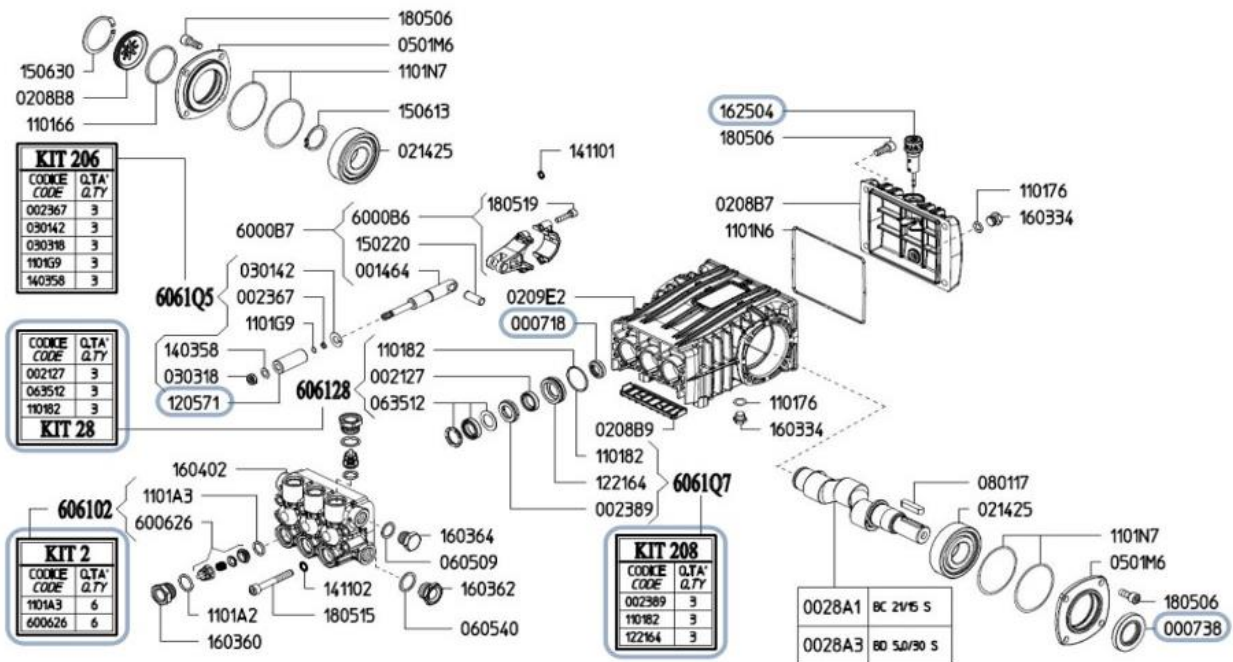
6.2.20 437157 • BC 21/15 S




437157 • BC 21/15 S [DA 2000 front page](#)




438906 Pump V2 21 l/min - BC 21/15 S


438906 Pump V2 21 l/min - BC 21/15 S





Pos.		
718		777147 DA 2000 packed gland pump 5.5 l
738		438123 Shaft sealing
120571		438124 Ceramic piston

**437157 • BC 21/15 S** [DA 2000 front page](#)

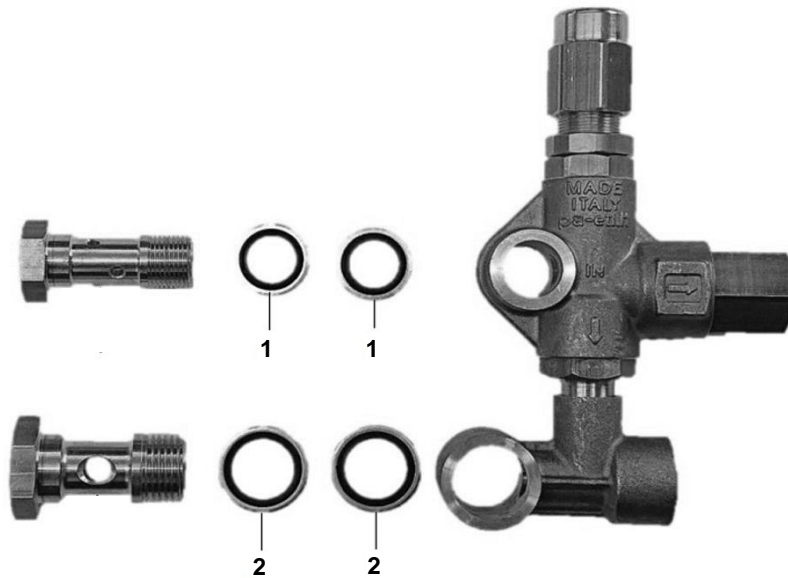
<b>162504</b>		<b>438125 Oil breather plug</b>
---------------	---	---------------------------------


<b>KIT 2</b>		<b>438126 Valve kit</b>
--------------	---	-------------------------

<b>KIT 28</b>		<b>438127 Kit 28 - Gasket kit</b>
---------------	---	-----------------------------------

<b>KIT 208</b>		<b>438128 Kit 208 - Gasket kit</b>
----------------	--	------------------------------------

**438907 Bypass valve UB23**



<b>Pos.</b>		
<b>1</b>		<b>437923 Seal 3/8" bypass valve</b>

## 437157 • BC 21/15 S

[DA 2000  
front page](#)

2



437924 Seal 1/2" bypass valve

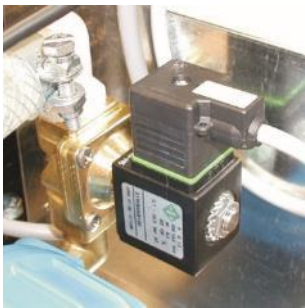


438914 DA 2000 manometer conn. 33 mm



437986 Suspension for pump complete

510012 Hose connection R1/2" / 3/4", brass



437973 Solenoid valve 1/2" 16 bar



437946 Coil f. solenoid valve



439798 Cable for solenoid valve pumps



437997 Membrane for solenoid valve

437157 • BC 21/15 S

[DA 2000  
front page](#)

437963 Pressure contactor



437965 Gasket 3/8", external



437960 Hose, hydraulic 108x10

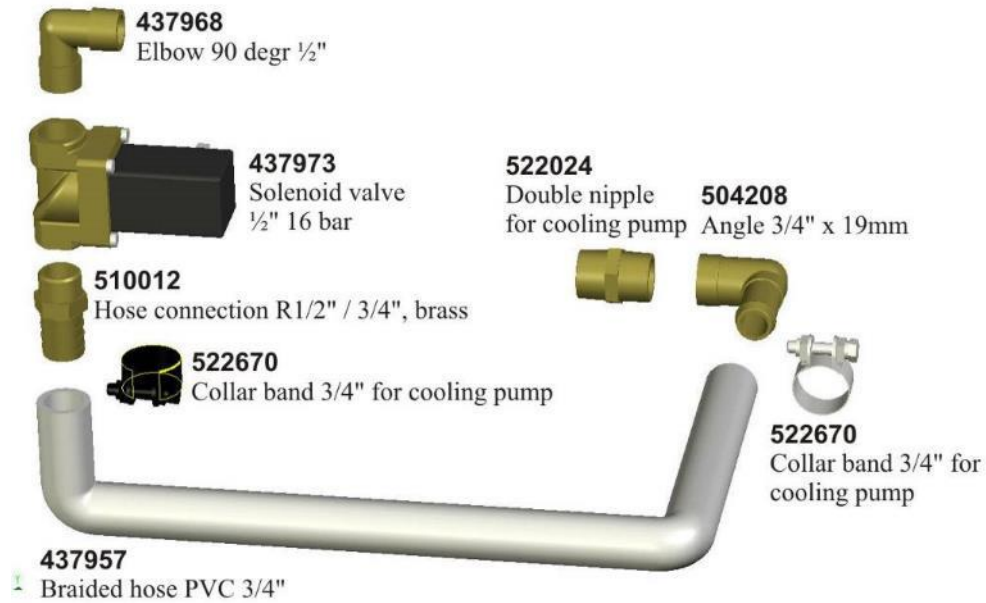


437959 Manometer 160 bar

## 6.2.21 Pump accessories

### Pump accessories

[DA 2000](#)  
[front page](#)



**437952** Angular screwed connection 1/2"



**437954** T-piece 3/8" internal screw thread



**437955** Reducing sleeve 3/8" to 1/4"



**437962** End adapter G12 - R3/8"



**437964** Double nipple 3/8"

## Pump accessories

[DA 2000  
front page](#)

437965 Gasket 3/8", external



437968 Elbow 90 degr 1/2"



437969 Elbow 3/4" internal



437970 Reducing sleeve 3/4" to 1/2"



437971 Double nipple 3/4"



437972 Hose connection 3/4" for 20mm hose



### Pump accessories

[DA 2000  
front page](#)



437957 Braided hose PVC 3/4"



437951 Cover for pump - SKOV



510206 Filter housing, transparent glass



437504 Coarse filter 20 mic. w. glass incl. bracket

437438 Coarse filter 20 mic. w. glass ex. bracket



777149 O-ring for filter housing clear glass



437570 DA 2000 spanner for filters



437441 Filter cartridge 1 micron

437442 Filter cartridge 5 micron

437443 Filter cartridge 20 micron

## Pump accessories

[DA 2000  
front page](#)

437444 Phosphate cartridge 5 micron



437986 Suspension for pump complete



345055 Rubber suspension f. cooling pump top



345056 Rubber suspension f. cooling pump bottom



437926 Connecting tube for manometer 104x200



437998 Manometer 160 bar /2320 PSI



437959 Manometer 160 bar



437960 Hose, hydraulic 108x10

## Pump accessories

[DA 2000](#)  
[front page](#)

437973 Solenoid valve 1/2" 16 bar



437946 Coil f. solenoid valve



439798 Cable for solenoid valve pumps



439797 Membrane for solenoid valve



437963 Pressure contactor



437950 Wiring box ex. Components

## Pump accessories

[DA 2000](#)  
[front page](#)

437979 Contactor for cooling pump 4kW



438903 DA 2000 Timer 45/20 sec.



437988 Timer relay



437987 Reset-button



437989 Change-over switch Manual/Automatic

### 6.3 DA 2000 with frequency converter



Item no.		Pump type
<a href="#">*437590</a>	Pump 5.5 l, 50 bar, 3x400V, 50/60 Hz, frequency	NC 06/10
<a href="#">*437591</a>	Pump 5.5 l, 70 bar, 3x400V, 50/60 Hz, frequency	NC 06/10
<a href="#">*437617</a>	Pump 5.5/6.6 l/min, 3x200-240V, 50/60Hz, frequency	NC 06/10
<a href="#">*437547</a>	Pump 12 l, 50 bar, 3x400V, 50/60 Hz, frequency	W140
<a href="#">*437577</a>	Pump 12 l, 70 bar, 3x400V, 50/60 Hz, frequency	W140
<a href="#">*437588</a>	Pump 12 l, 70 bar, 3x200-240V, 50/60 Hz, frequency	W140
<a href="#">*437548</a>	Pump 21 l, 50 bar, 3x400V, 50/60 Hz, frequency	WS82
<a href="#">*437578</a>	Pump 21 l, 70 bar, 3x400V, 50/60 Hz, frequency	WS82
<a href="#">437160</a>	Pump V2 6 l/min 3x400V 50/60Hz, frequency	FE5106M
<a href="#">*437161</a>	Pump V2 12 l/min 3x400V 50/60Hz, frequency	E2B1712
<a href="#">437167</a>	Pump V3 12 l/min 3x400V 50/60Hz frequency	NHDP1212R
<a href="#">437162</a>	Pump V2 21 l/min 3x230V 50/60Hz, frequency	BC 21/15 S
<a href="#">437163</a>	Pump V2 21 l/min 3x400V 50/60Hz, frequency	BC 21/15 S

#### [Pump accessories – pump with frequency converter](#)

\*The product is phased out

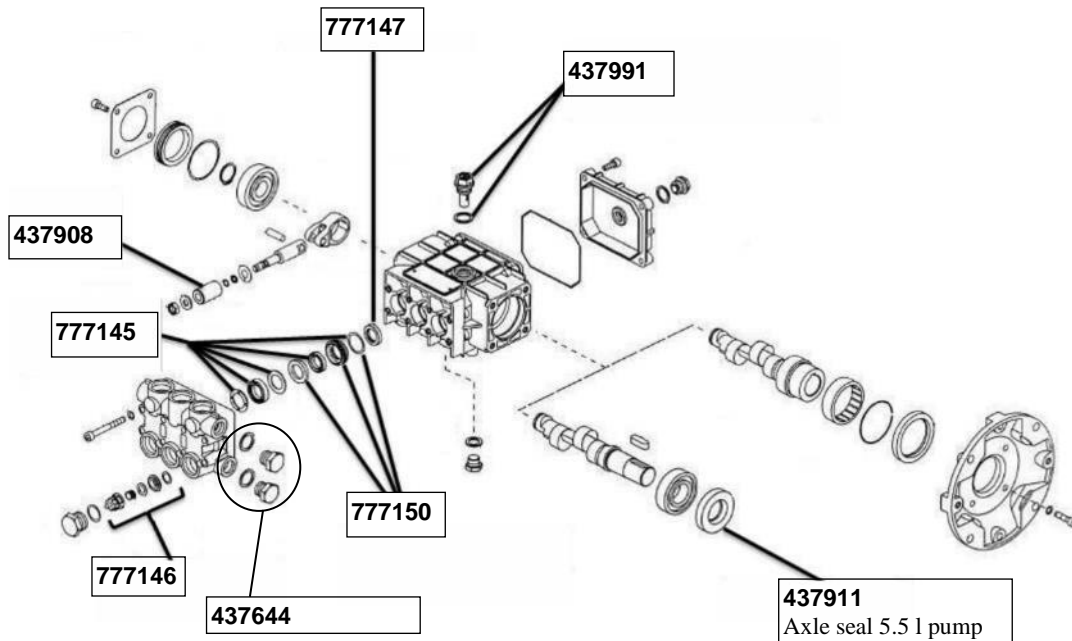
6.3.1 437590 • NC 06/10

437590 • NC 06/10 [DA 2000 w/freq. conv. front page](#)



437925 Pump - raw, 5/5.5 l/min. 50/60 Hz

437925 Pump - raw, 5/5.5 l/min. 50/60 Hz



777147 DA 2000 packed gland pump 5.5 l



437991 DA 2000 oil dipstick for pump 5.5 l

437908 Ceramic piston 5.5 l pump



777145 DA 2000 gasket kit 7 pump 5.5 l

**437590 • NC 06/10**[DA 2000 w/freq. conv.  
front page](#)**777146 DA 2000 valve pump 5.5 l kit 1****777150 DA 2000 gasket kit 13 pumps 5.5l****437911 Axle seal 5.5 l pump****437644 Bypass valve UB 17**

Includes:

- 1 x 437121 DA 2000 screw pressure side UB17
- 1 x 437122 DA 2000 screw suction side UB17
- 1 x 437123 DA 2000 CU sealing suction side
- 2 x 437923 Seal 3/8" bypass valve
- 1 x 437924 Seal 1/2" bypass valve

**438904 DA 2000 frequency control 5,5/12L****437545 Thermo valve 3/8" HPC****437184 Fan for frequency pump 5.5l and 12l**



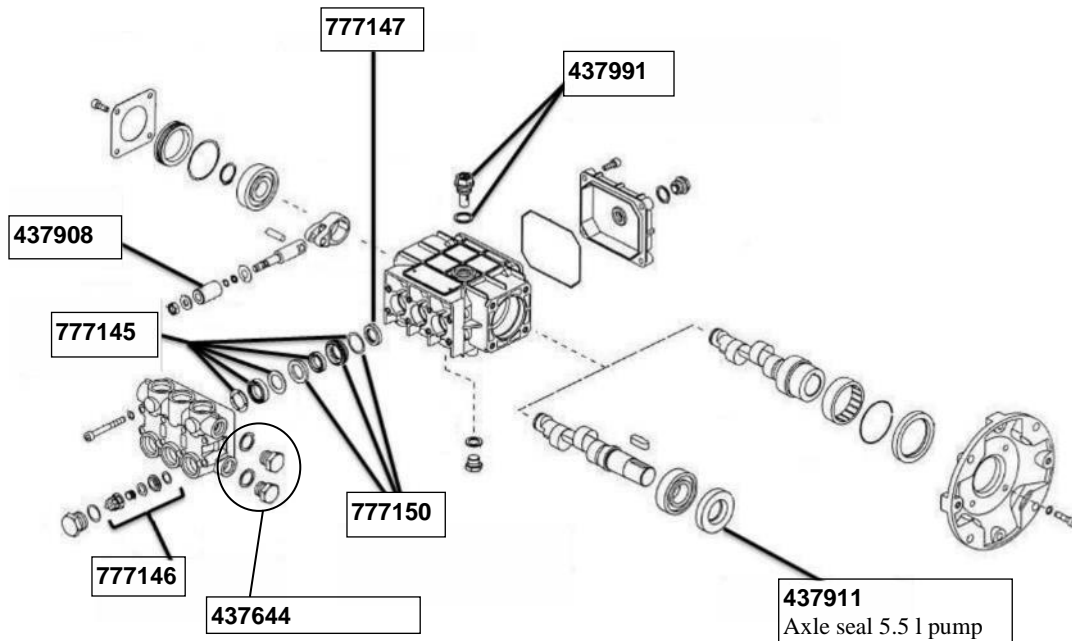
6.3.2 437591 • NC 06/10

437591 • NC 06/10 [DA 2000 w/freq. conv. front page](#)



437925 Pump - raw, 5/5.5 l/min. 50/60 Hz

437925 Pump - raw, 5/5.5 l/min. 50/60 Hz



777147 DA 2000 packed gland pump 5.5 l



437991 DA 2000 oil dipstick for pump 5.5 l

437908 Ceramic piston 5.5 l pump



777145 DA 2000 gasket kit 7 pump 5.5 l

**437591 • NC 06/10**[DA 2000 w/freq. conv.  
front page](#)**777146 DA 2000 valve pump 5.5 l kit 1****777150 DA 2000 gasket kit 13 pumps 5.5l****437911 Axle seal 5.5 l pump****437644 Bypass valve UB 17**

Includes:

- 1 x 437121 DA 2000 screw pressure side UB17
- 1 x 437122 DA 2000 screw suction side UB17
- 1 x 437123 DA 2000 CU sealing suction side
- 2 x 437923 Seal 3/8" bypass valve
- 1 x 437924 Seal 1/2" bypass valve

**438904 DA 2000 frequency control 5,5/12L****437545 Thermo valve 3/8" HPC****437184 Fan for frequency pump 5.5l and 12l**

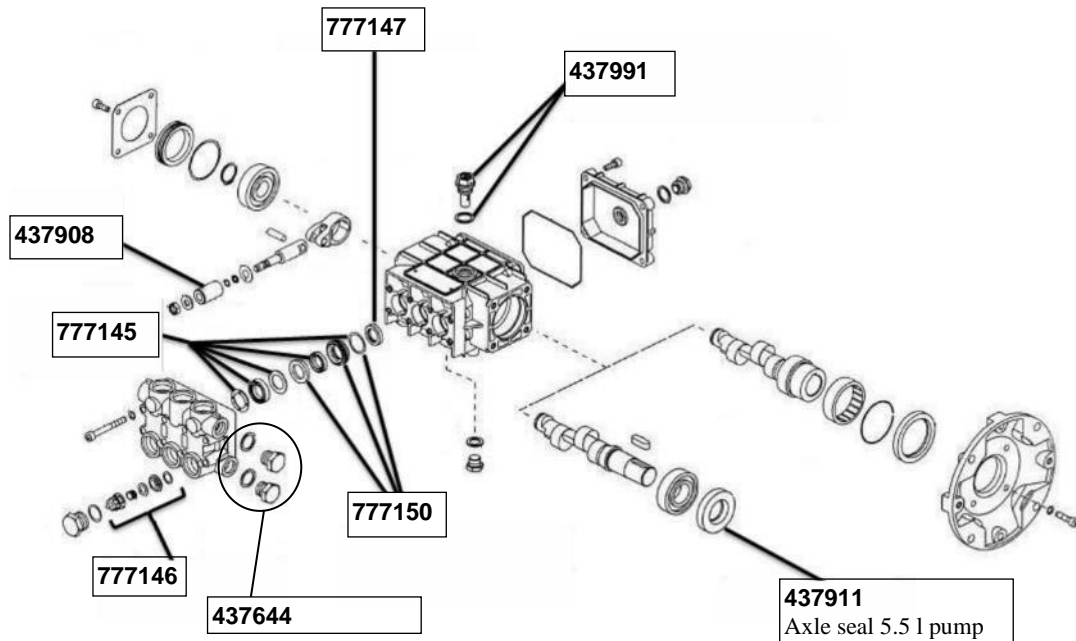
## 6.3.3 437617 • NC 06/10

437617 • NC 06/10

[DA 2000 w/freq. conv.  
front page](#)

437925 Pump - raw, 5/5,5 l/min. 50/60 Hz

437925 Pump - raw, 5/5.5 l/min. 50/60 Hz



777147 DA 2000 packed gland pump 5.5 l



437991 DA 2000 oil dipstick for pump 5.5 l

437908 Ceramic piston 5.5 l pump



777145 DA 2000 gasket kit 7 pump 5.5 l

**437617 • NC 06/10**[DA 2000 w/freq. conv.  
front page](#)**777146 DA 2000 valve pump 5.5 l kit 1****777150 DA 2000 gasket kit 13 pumps 5.5 l****437911 Axle seal 5.5 l pump****437644 Bypass valve UB 17**

Includes:

- 1 x 437121 DA 2000 screw pressure side UB17
- 1 x 437122 DA 2000 screw suction side UB17
- 1 x 437123 DA 2000 CU sealing suction side
- 2 x 437923 Seal 3/8" bypass valve
- 1 x 437924 Seal 1/2" bypass valve

**438904 DA 2000 frequency control 5,5/12 l****437545 Thermo valve 3/8" HPC****437184 Fan for frequency pump 5.5l and 12l**

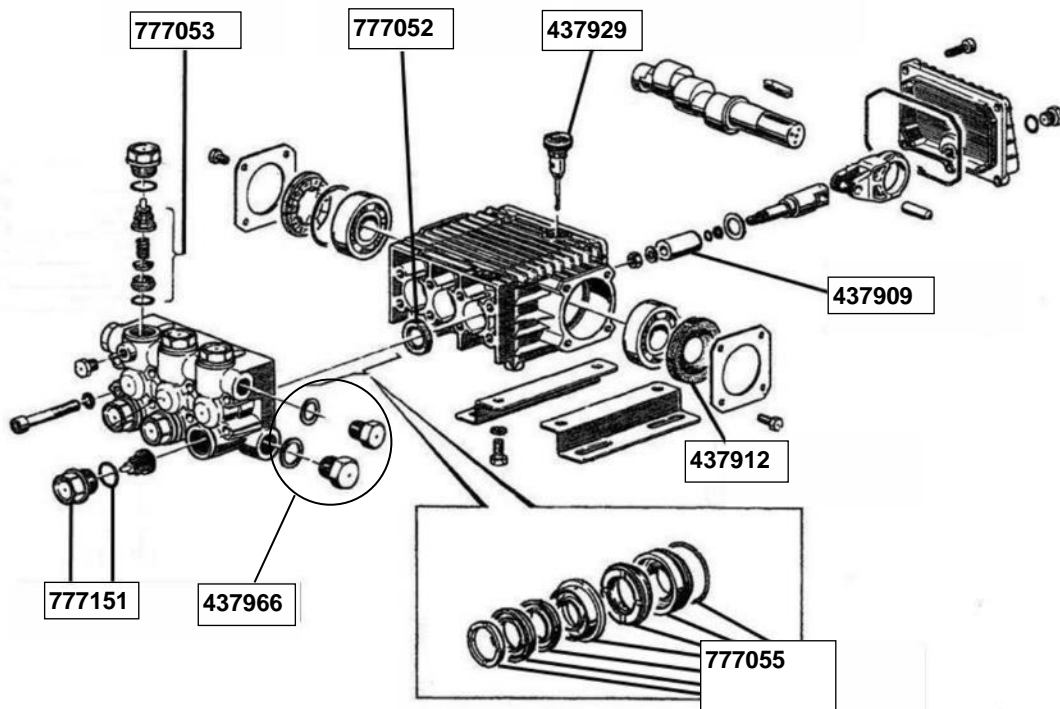
## 6.3.4 437547 • W140

437547 • W140

[DA 2000 w/freq. conv.  
front page](#)

777041 Pump - raw, 12/14 l/min. 50/60 Hz

777041 Pump - raw, 12/14 l/min. 50/60 Hz



777052 DA 2000 packed gland pump 12/14l kit 23

777053 DA 2000 valve compl pump 12/14l Kit 123

437929 DA 2000 Dipstick for pump 12 /14L



777151 DA 2000 Kit 124 brass screws



**437547 • W140**[DA 2000 w/freq. conv.  
front page](#)**437909 Ceramic piston 12/14 l pump****437912 Axle seal 12/14 l pump****777055 DA 2000 gasket set pump 12/14l Kit 131****437966 Bypass valve UB 22**

Includes:

- 1 x DA 2000 screw pressure side UB22
- 1 x DA 2000 screw suction side UB22
- 2 x Seal 3/8" bypass valve
- 2 x Seal 1/2" bypass valve

**438904 DA 2000 frequency control 5,5/12L**

Spare part for:

437577 Pump 12 l, 70 bar, 3x400V, 50/60 Hz, frequency

**437184 Fan for frequency pump 5.5l and 12l****437953 Thermovalve 1/2"**



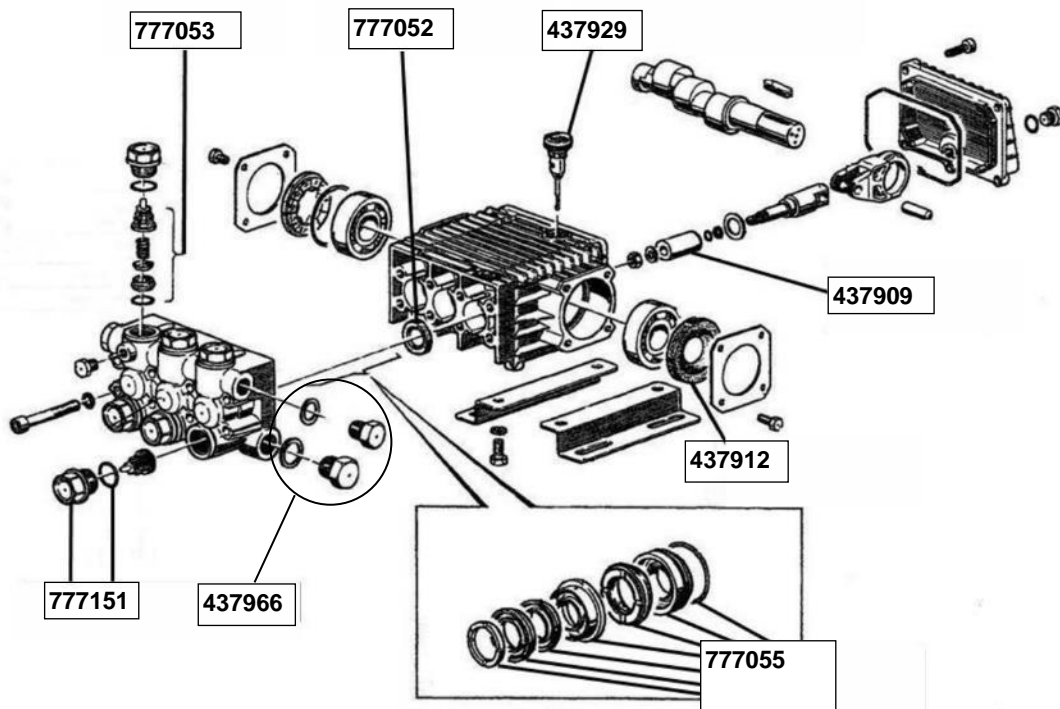
## 6.3.5 437577 • W140

437577 • W140

[DA 2000 w/freq. conv.  
front page](#)

777041 Pump - raw, 12/14 l/min. 50/60 Hz

777041 Pump - raw, 12/14 l/min. 50/60 Hz



777052 DA 2000 packed gland pump 12/14l kit 23

777053 DA 2000 valve compl pump 12/14l Kit 123

437929 DA 2000 Dipstick for pump 12 /14L



777151 DA 2000 Kit 124 brass screws





**437577 • W140**[DA 2000 w/freq. conv.  
front page](#)**437909 Ceramic piston 12/14 l pump****437912 Axle seal 12/14 l pump****777055 DA 2000 gasket set pump 12/14l Kit 131****437966 Bypass valve UB 22**

Includes:

- 1 x DA 2000 screw pressure side UB22
- 1 x DA 2000 screw suction side UB22
- 2 x Seal 3/8" bypass valve
- 2 x Seal 1/2" bypass valve

**438904 DA 2000 frequency control 5,5/12L****437184 Fan for frequency pump 5.5l and 12l****437953 Thermovalve 1/2"**

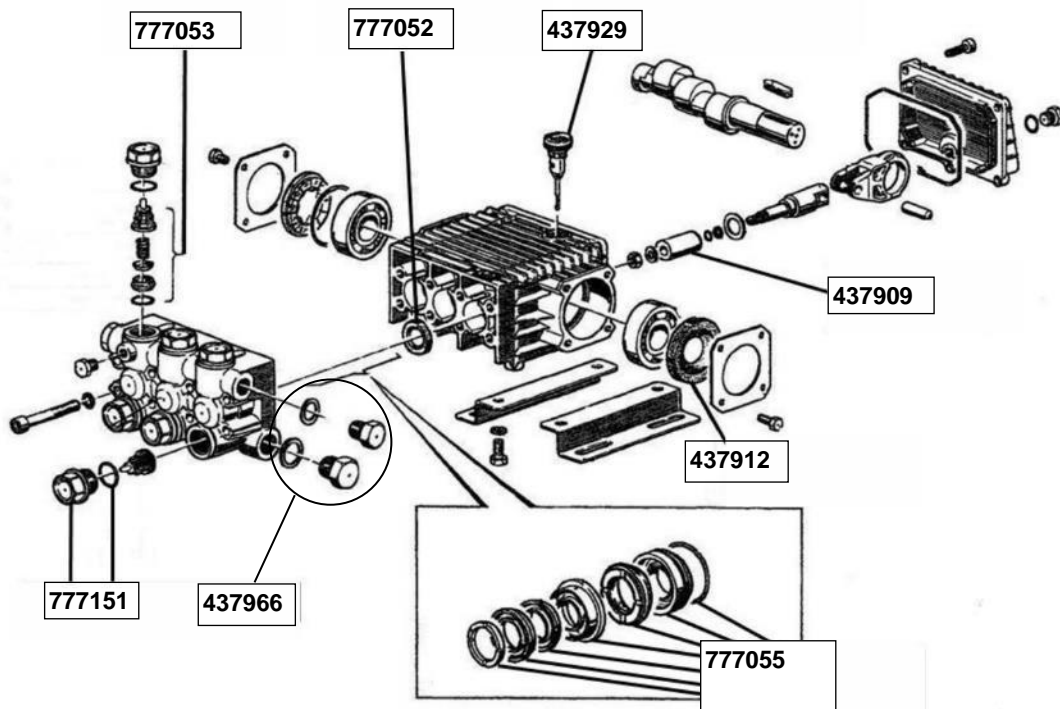
## 6.3.6 437588 • W140

437588 • W140

[DA 2000 w/freq. conv.  
front page](#)

777041 Pump - raw, 12/14 l/min. 50/60 Hz

777041 Pump - raw, 12/14 l/min. 50/60 Hz



777052 DA 2000 packed gland pump 12/14l kit 23

777053 DA 2000 valve compl pump 12/14l Kit 123

437929 DA 2000 Dipstick for pump 12 /14L



777151 DA 2000 Kit 124 brass screws



**437588 • W140**[DA 2000 w/freq. conv.  
front page](#)**437909 Ceramic piston 12/14 l pump****437912 Axle seal 12/14 l pump****777055 DA 2000 gasket set pump 12/14l Kit 131****437966 Bypass valve UB 22**

Includes:

- 1 x DA 2000 screw pressure side UB22
- 1 x DA 2000 screw suction side UB22
- 2 x Seal 3/8" bypass valve
- 2 x Seal 1/2" bypass valve

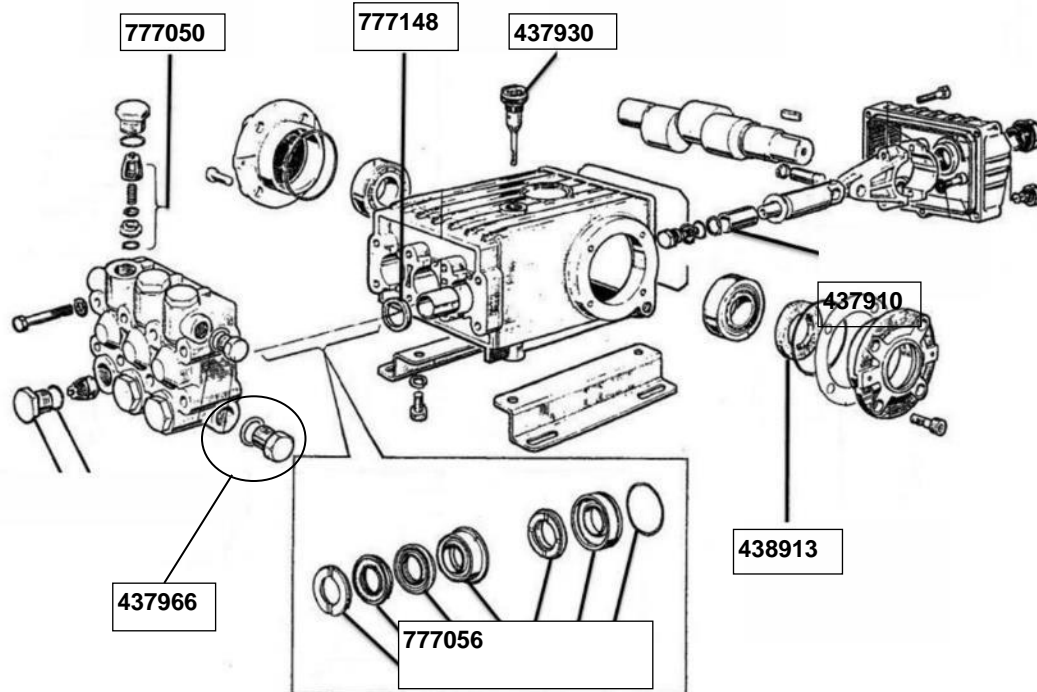
**438904 DA 2000 frequency control 5,5/12L****437184 Fan for frequency pump 5.5l and 12l****437953 Thermovalve 1/2"**

## 6.3.7 437548 • WS82

437548 • WS82

[DA 2000 w/freq. conv.  
front page](#)

## Pump for 21 liter high-pressure pump



777050 DA 2000 valve pump 21/24l kit 1



777148 DA 2000 packed gland pump 21/25l



437930 DA 2000 dip stick for pump 21/25L



437910 Ceramic piston 21 l pump

**437548 • WS82**[DA 2000 w/freq. conv.  
front page](#)**777056 DA 2000 gasket set pump 21/25l kit 28****438913 Axle seal 21 l pump kit 3****437966 Bypass valve UB 22**

Includes:

- 1 x DA 2000 screw pressure side UB22
- 1 x DA 2000 screw suction side UB22
- 2 x Seal 3/8" bypass valve
- 2 x Seal 1/2" bypass valve

**438905 DA 2000 frequency control 21L**

Spare part for:

437578 Pump 21 l, 70 bar, 3x400V, 50/60 Hz, frequency

**437953 Thermovalve 1/2"****437185 Fan for frequency pump 21 l**

## 6.3.8 437578 • WS82

## 437578 • WS82

[DA 2000 w/freq. conv. front page](#)

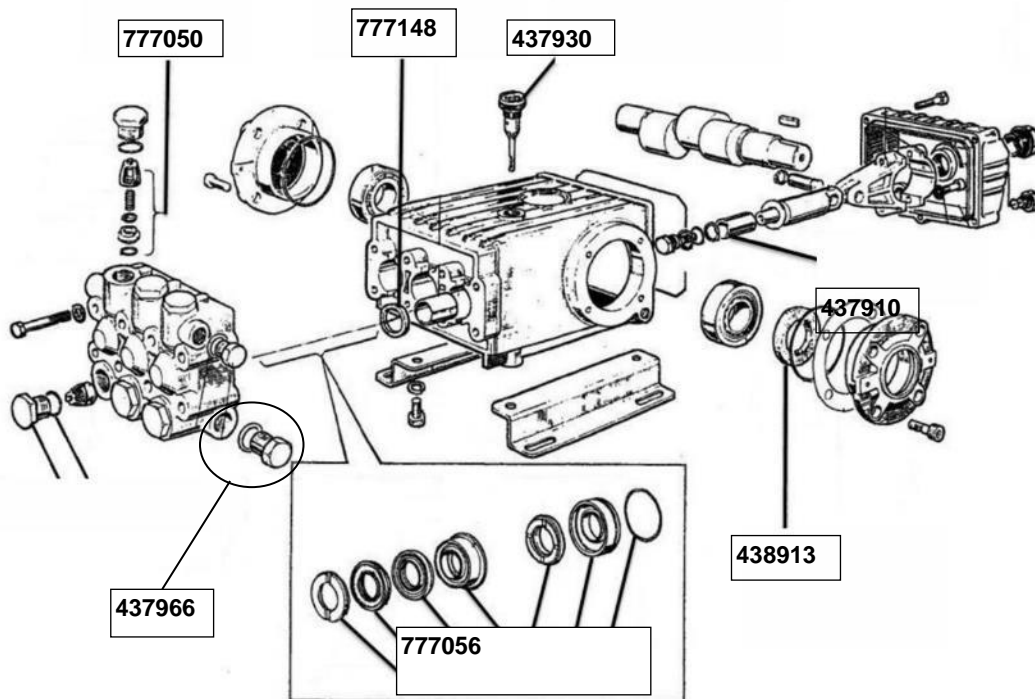


## 438906 Pump V2 21 l/min - BC 21/15 S

Please remember that the bypass valve 438154 needs to be ordered together with the pump.

## 438154 Bypass valve VRF2

## Pump for 21 liter high-pressure pump



## 777050 DA 2000 valve pump 21/24l kit 1



## 777148 DA 2000 packed gland pump 21/25l





**437578 • WS82**[DA 2000 w/freq. conv.  
front page](#)**437930** DA 2000 dip stick for pump 21/25L**437910** Ceramic piston 21 l pump**777056** DA 2000 gasket set pump 21/25l kit 28**438913** Axle seal 21 l pump kit 3**437966** Bypass valve UB 22

Includes:

- 1 x DA 2000 screw pressure side UB22
- 1 x DA 2000 screw suction side UB22
- 2 x Seal 3/8" bypass valve
- 2 x Seal 1/2" bypass valve

**438905** DA 2000 frequency control 21L

Spare part for:

437578 Pump 21 l, 70 bar, 3x400V, 50/60 Hz, frequency

**437953** Thermovalve 1/2"**437185** Fan for frequency pump 21 l

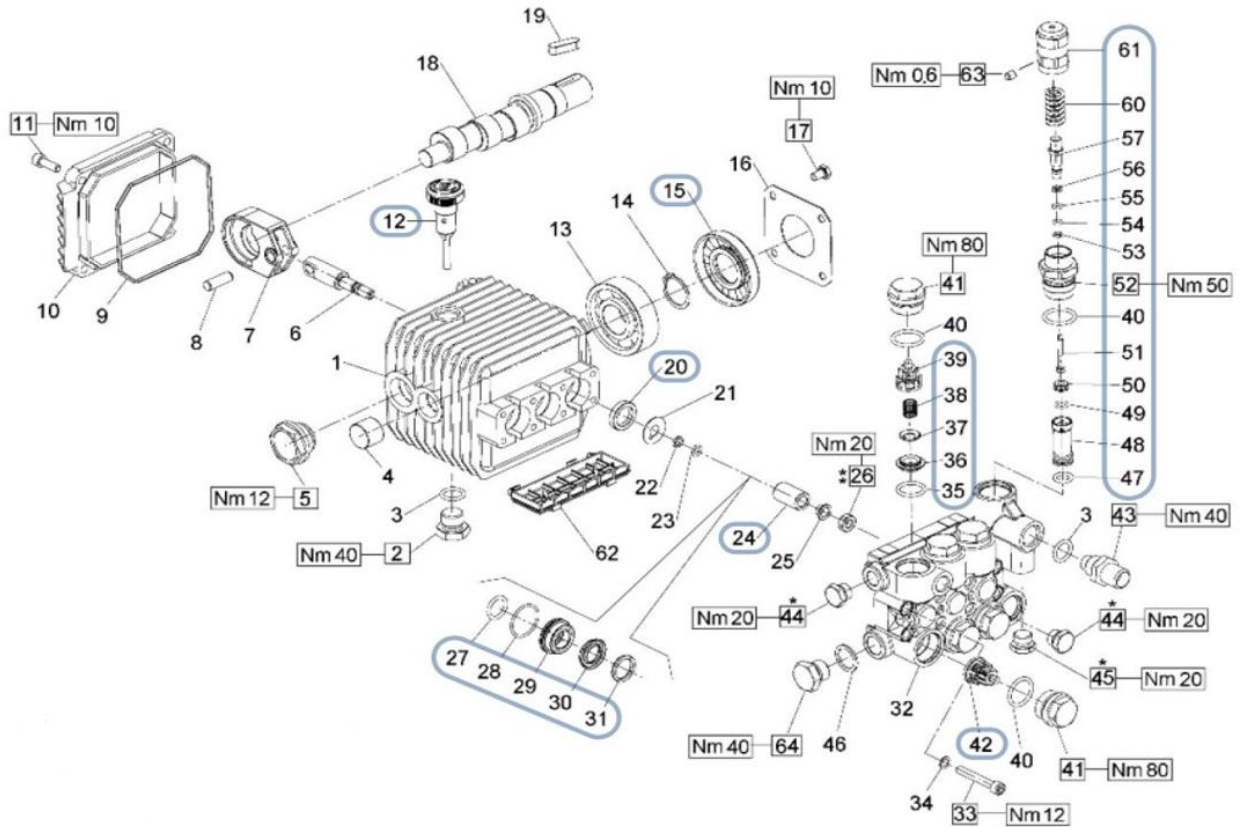




6.3.9 437160 • FE5106M

**437160 • FE5106M** [DA 2000 w/freq. conv. front page](#)

438110 Pump V2 6 l/min - FE5106M

**438110 Pump V2 6 l/min - FE5106M**



Pos.		
12		437929 DA 2000 Dipstick for pump 12 /14L
15		437912 Axle seal 12/14 l pump
20		438111 Piston washer
24		438112 Ceramic piston
42 + 35-39		777053 DA 2000 valve compl pump 12/14l Kit 123

## 437160 • FE5106M

[DA 2000 w/freq. conv.  
front page](#)

27-31



438113 Kit 96 - Gasket kit

40 +  
47-57  
+ 60-  
61 +  
63

438114 Kit 267 - Repair kit bypass



777048 Motor 2.2kw 12/14 I 3x400/230V 50/60Hz



437184 Fan f frequency pump 5.5l and 12l



438904 DA 2000 frequency control 5.5/12 L



437958 Pressure sensor 0-100bar, frequency pump



437926 Connection tube for pressure gauge 104x2

**437160 • FE5106M**[DA 2000 w/freq. conv.  
front page](#)**437998 Manometer 160 bar /2320 PSI****437545 Thermo valve 3/8" HPC****510012 Hose connection R1/2" / 3/4", brass****437960 Hose, hydraulic 108x10****437965 Gasket 3/8", external****345056 Rubber suspension f. cooling pump bottom****437662 Cover for pump frequency - foil SKOV****437986 Suspension for pump complete**

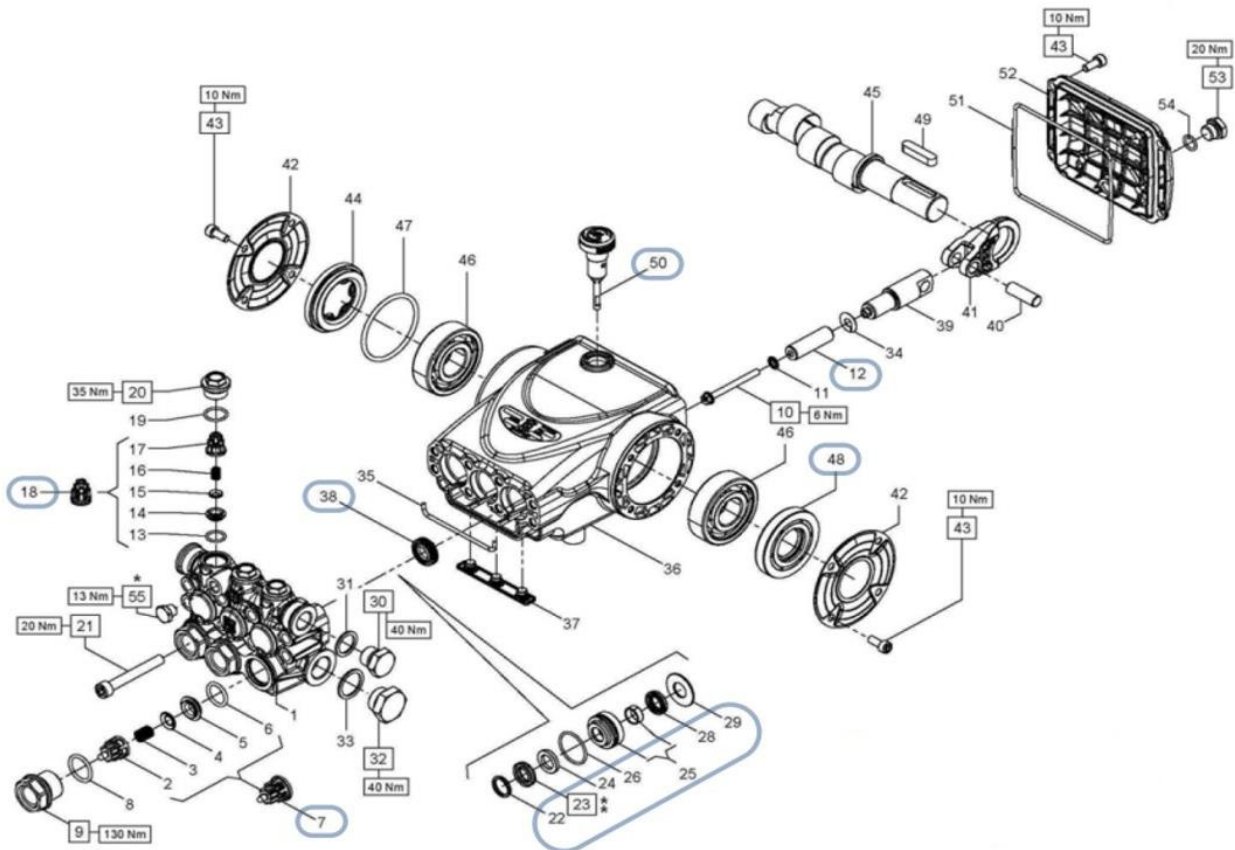
6.3.10 437161 • E2B1712


**437161 • E2B1712** [DA 2000 w/freq. conv. front page](#)



438115 Pump V2 12/14 l/min - E2B1712

**438115 Pump V2 12/14 l/min - E2B1712**

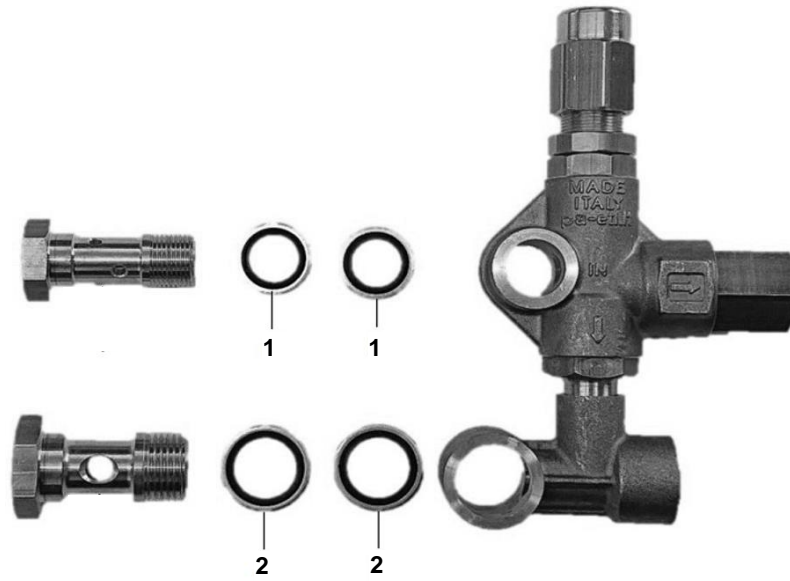




Pos.		
7+18		438117 Kit 269 - Valve kit
12		438116 Ceramic piston
22-26 +28-29		438118 Kit 277
38		438119 Piston washer
48		437912 Axle seal 12/14 l pump
50		438120 Oil breather plug

437161 • E2B1712

[DA 2000 w/freq. conv. front page](#)

438907 Bypass valve UB23



Pos.		
1		437923 Seal 3/8" bypass valve
2		437924 Seal 1/2" bypass valve



777048 Motor 2.2kw 12/14 | 3x400/230V 50/60Hz



437184 Fan f frequency pump 5.5l and 12l



438904 DA 2000 frequency control 5.5/12 L

437161 • E2B1712

[DA 2000 w/freq. conv.  
front page](#)

437958 Pressure sensor 0-100bar, frequency pump



437926 Connection tube for pressure gauge 104x2



437998 Manometer 160 bar /2320 PSI



437953 Therموالفة 1/2"

510012 Hose connection R1/2" / 3/4", brass



437960 Hose, hydraulic 108x10



437965 Gasket 3/8", external



345056 Rubber suspension f. cooling pump bottom

---

437161 • E2B1712

[DA 2000 w/freq. conv.  
front page](#)



437662 Cover for pump frequency - foil SKOV



437986 Suspension for pump complete

---



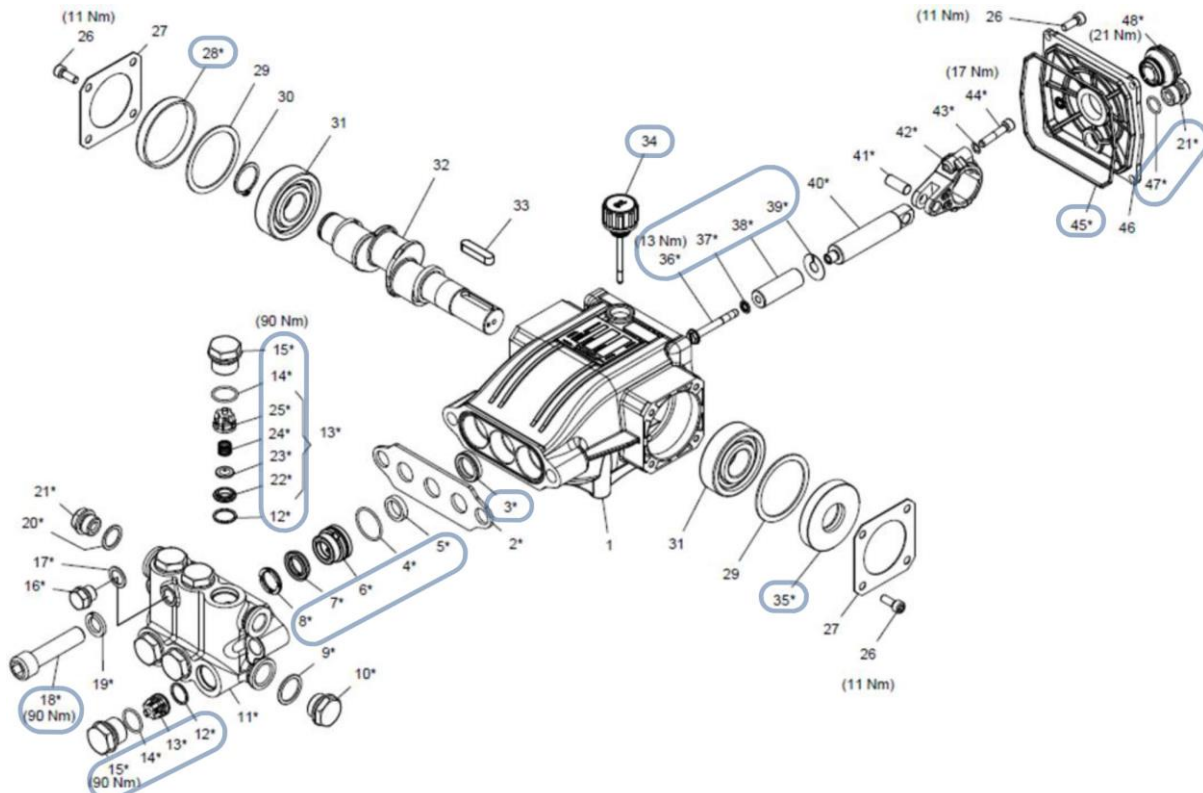
6.3.11 437167 • NHDP1212R

**437167 • NHDP1212R** [DA 2000 w/freq. conv. front page](#)

438152 PUMP V3 Hawk 12/14 l/min NHDP1212R



**438152 PUMP V3 Hawk 12/14 l/min NHDP1212R**



Pos.	
4+5+6+7+ 8+18	438146 Gasket Kit A NDHP1212R
12+13+14 +15	438147 Valve Kit B NDHP1212R
36+37+38 + 39	438148 Ceramic piston Kit C NDHP1212R
3	438149 Piston washer Kit D NHDP1212R
34	438150 Oil vent plug NHDP1212R
21+28+35 +45+47+ 48	438151 Crankcase seals Kit E NHDP1212R

437167 • NHDP1212R

[DA 2000 w/freq. conv.  
front page](#)

438153 Bypass-valve VBT NHD



6.3.12 437162 • BC 21/15 S

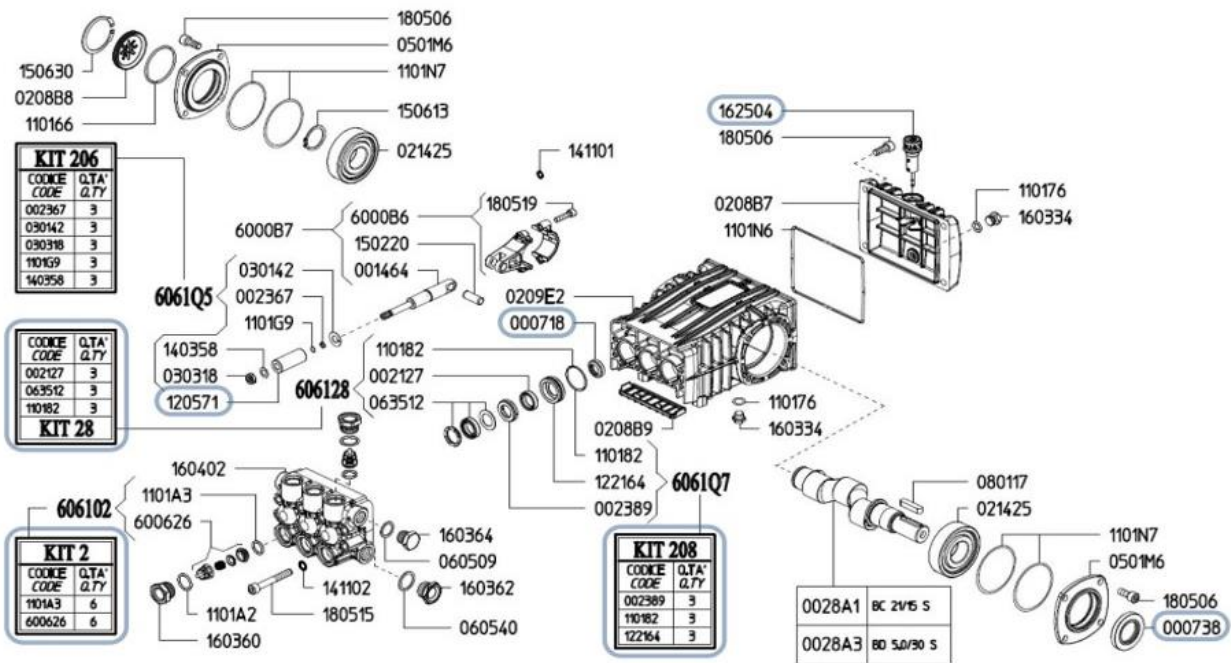
437162 • BC 21/15 S




[DA 2000 w/freq. conv. front page](#)

438906 Pump V2 21 l/min - BC 21/15 S



438906 Pump V2 21 l/min - BC 21/15 S

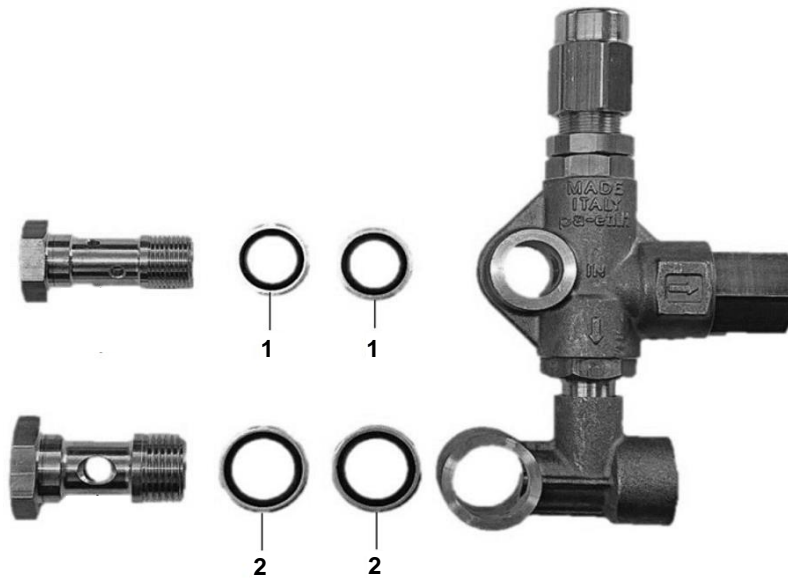




Pos.		
718		777147 DA 2000 packed gland pump 5.5 l
738		438123 Shaft sealing
120571		438124 Ceramic piston

**437162 • BC 21/15 S** [DA 2000 w/freq. conv. front page](#)

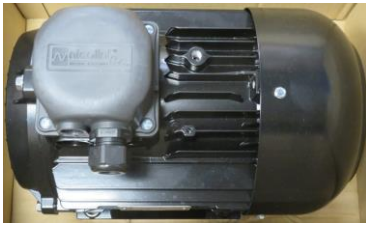
162504		438125 Oil breather plug
KIT 2		438126 Valve kit
KIT 28		438127 Kit 28 - Gasket kit
KIT 208		438128 Kit 208 - Gasket kit

**438907 Bypass valve UB23**



Pos.		
1		437923 Seal 3/8" bypass valve
2		437924 Seal 1/2" bypass valve

## 437162 • BC 21/15 S

[DA 2000 w/freq. conv.  
front page](#)

438922 Motor 4kW 3x400V 50/60Hz



438923 DA 2000 frequency control 3x230V 21L



437185 Fan for frequency pump 21l



437958 Pressure sensor 0-100bar, frequency pump



437926 Connection tube for pressure gauge 104x2



437998 Manometer 160 bar /2320 PSI



437953 Thermovalve 1/2"

**437162 • BC 21/15 S**[DA 2000 w/freq. conv.  
front page](#)**510012 Hose connection R1/2" / 3/4", brass****437960 Hose, hydraulic 108x10****437965 Gasket 3/8", external****345056 Rubber suspension f. cooling pump bottom****437662 Cover for pump frequency - foil SKOV****437986 Suspension for pump complete**



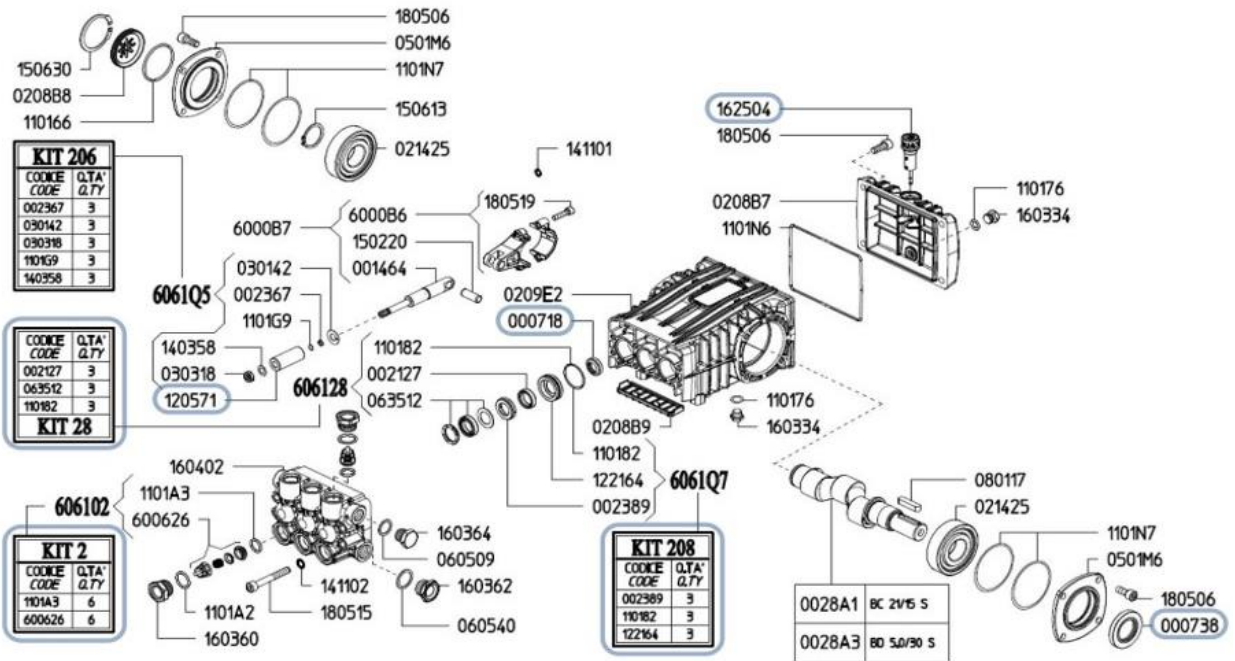
6.3.13 437163 • BC 21/15 S




437163 • BC 21/15 S [DA 2000 w/freq. conv. front page](#)

438906 Pump V2 21 l/min - BC 21/15 S



438906 Pump V2 21 l/min - BC 21/15 S



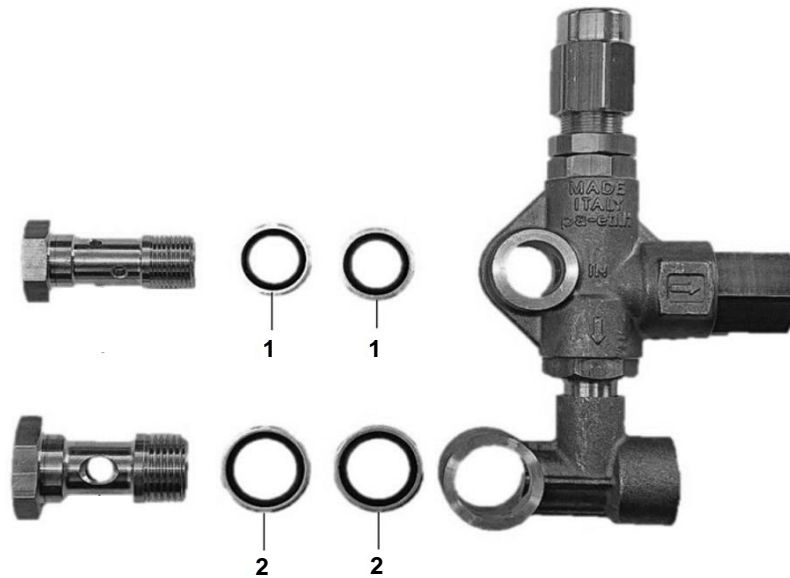
Pos.		
718		777147 DA 2000 packed gland pump 5.5 l
738		438123 Shaft sealing
120571		438124 Ceramic piston





**437163 • BC 21/15 S** [DA 2000 w/freq. conv. front page](#)

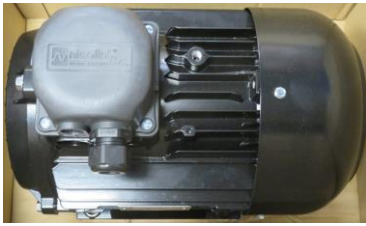
162504		438125 Oil breather plug
KIT 2		438126 Valve kit
KIT 28		438127 Kit 28 - Gasket kit
KIT 208		438128 Kit 208 - Gasket kit

**438907 Bypass valve UB23**



Pos.		
1		437923 Seal 3/8" bypass valve
2		437924 Seal 1/2" bypass valve

437163 • BC 21/15 S

[DA 2000 w/freq. conv.  
front page](#)

438922 Motor 4kW 3x400V 50/60Hz



438905 DA 2000 frequency control 3x400V 21L



437185 Fan for frequency pump 21l



437958 Pressure sensor 0-100bar, frequency pump



437926 Connection tube for pressure gauge 104x2



437998 Manometer 160 bar /2320 PSI



437953 Thermovalve 1/2"

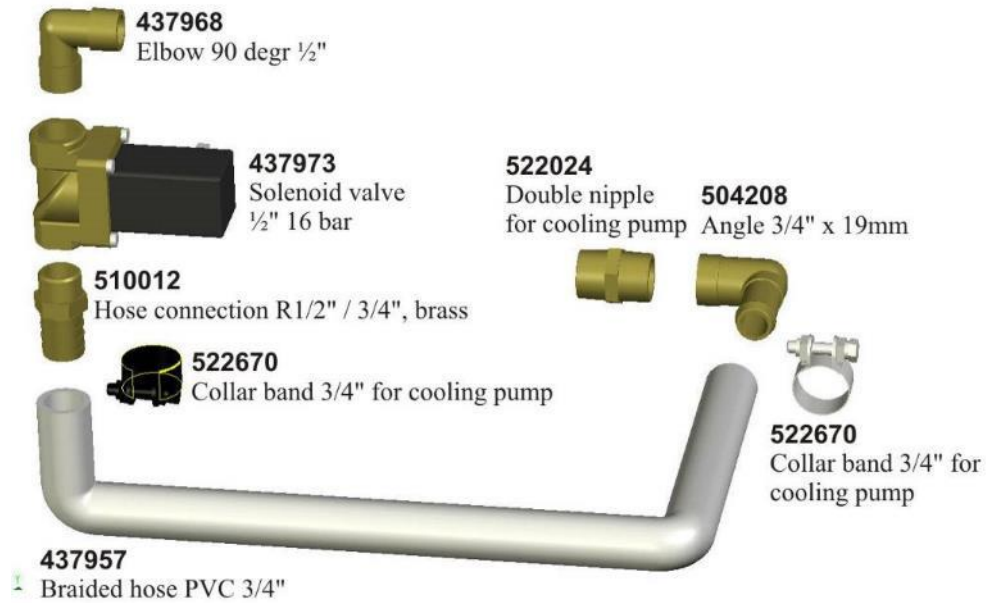
510012 Hose connection R1/2" / 3/4", brass

**437163 • BC 21/15 S**[DA 2000 w/freq. conv.  
front page](#)**437960 Hose, hydraulic 108x10****437965 Gasket 3/8", external****345056 Rubber suspension f. cooling pump bottom****437662 Cover for pump frequency - foil SKOV****437986 Suspension for pump complete**

### 6.3.14 Pump accessories – pump with frequency converter

#### Pump accessories

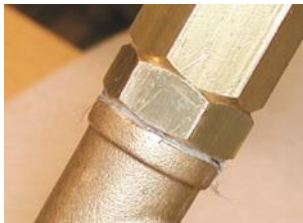
[DA 2000 w/freq. conv. front page](#)



437952 Angular screwed connection 1/2"



437954 T-piece 3/8" internal screw thread



437955 Reducing sleeve 3/8" to 1/4"



437962 End adapter G12 - R3/8"



437964 Double nipple 3/8"

## Pump accessories

[DA 2000 w/freq. conv.  
front page](#)

437965 Gasket 3/8", external



437968 Elbow 90 degr 1/2"



437969 Elbow 3/4" internal



437970 Reducing sleeve 3/4" to 1/2"



437971 Double nipple 3/4"



437972 Hose connection 3/4" for 20mm hose

### Pump accessories

[DA 2000 w/freq. conv. front page](#)



437957 Braided hose PVC 3/4"



437662 Cover for pump frequency - foil SKOV



510206 Filter housing, transparent glass



437504 Coarse filter 20 mic. w. glass incl. bracket

437438 Coarse filter 20 mic. w. glass ex. bracket



777149 O-ring for filter housing clear glass



437570 DA 2000 spanner for filters



437441 Filter cartridge 1 micron

437442 Filter cartridge 5 micron

437443 Filter cartridge 20 micron



437444 Phosphate cartridge 5 micron

## Pump accessories

[DA 2000 w/freq. conv.  
front page](#)

437986 Suspension for pump complete



345055 Rubber suspension f. cooling pump top



345056 Rubber suspension f. cooling pump bottom



437926 Connecting tube for manometer 104x200



437998 Manometer 160 bar /2320 PSI



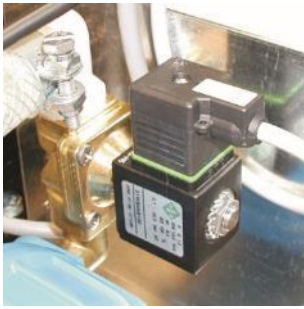
437959 Manometer 160 bar



437960 Hose, hydraulic 108x10



## Pump accessories

[DA 2000 w/freq. conv.  
front page](#)

437973 Solenoid valve 1/2" 16 bar



437946 Coil f. solenoid valve



439798 Cable for solenoid valve pumps



437997 Membrane for solenoid valve

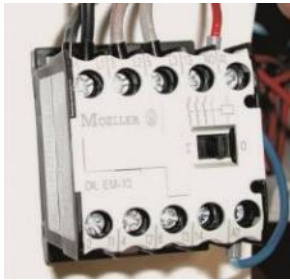


437963 Pressure contactor



437950 Wiring box ex. Components

## Pump accessories

[DA 2000 w/freq. conv.  
front page](#)

437979 Contactor for cooling pump 4kW



438903 DA 2000 Timer 45/20 sec.



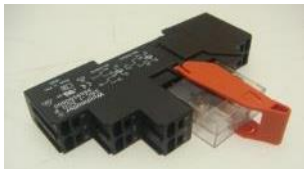
437988 Timer relay



437987 Reset-button

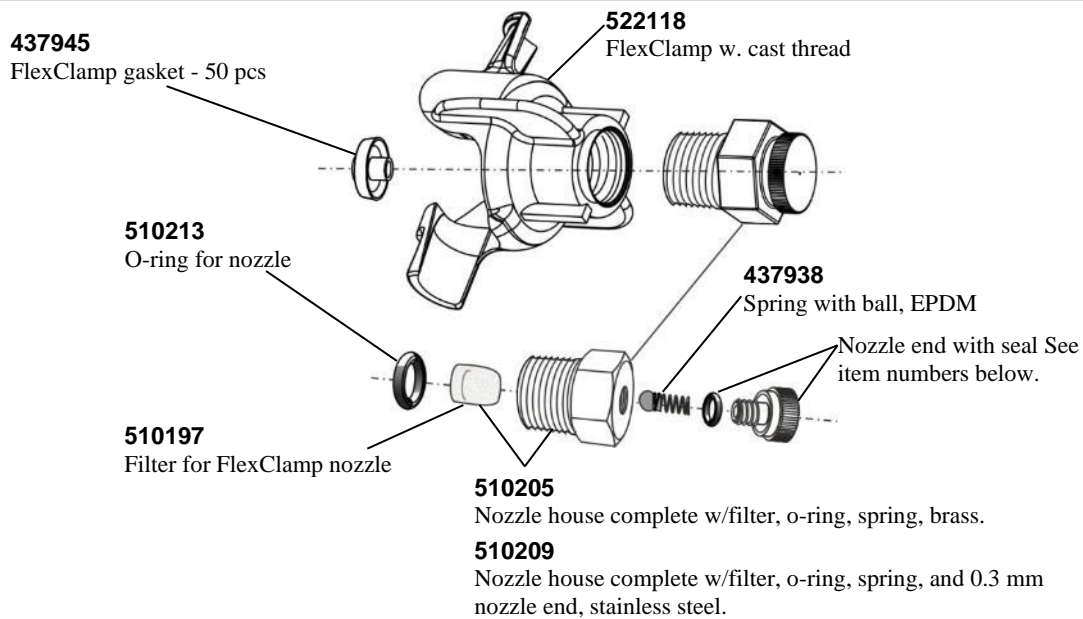


437989 Change-over switch Manual/Automatic

**Pump accessories**[DA 2000 w/freq. conv.  
front page](#)**437958** Pressure sensor 0-100bar, frequency pump**439799** Cable M12, pressure sensor freq. pump**438901** Relay 24V DC for frequency pump**438902** Timer element 24VDC for frequency cooling pumps**437927** Main switch for pump

## 6.4 Nozzles and various accessories

### Nozzles and various accessories



**437475 FlexClamp nozzle compl. 0.2 mm**

**437424 FlexClamp nozzle compl. 0.3 mm**



**437476 FlexClamp nozzle compl. anti lime 0.2 mm**

**437425 FlexClamp nozzle compl. anti lime 0.3 mm**



**437477 FlexClamp nozzle cpl. stainl. st. 0.2 mm**

**437466 FlexClamp nozzle cpl. stainl. st. 0.3 mm**



**510225 Nozzle end 0.2 mm with seal**

**437936 Nozzle end 0.3 mm with seal**



**510228 Nozzle end 0.2 mm with seal, anticalcium**

**510208 Nozzle end 0.3 mm with seal, anticalcium**



**510223 Nozzle end 0.2 mm with seal, rustproof**

**777036 Nozzle end 0.3 mm with seal, rustproof**

### Nozzles and various accessories



**510202** Gasket for nozzle end, EPDM



**437499** FlexClamp relief valve



**510234** Auxiliary valve

Spare part for:

437499 FlexClamp relief valve



**437180** Nozzle complete

Is used for copper pipes.



**437945** FlexClamp gasket - 50 pcs



**437134** Nozzle hole plug



**437934** DA 2000 relief valve - kit



**437556** DA 2000 end nozzle compl 0.2mm ss

**437557** DA 2000 end nozzle compl 0.3mm ss



**437519** DA 2000 Clips for pipe holder

### Nozzles and various accessories



**437940** High pressure valve 3 l/min ex. adapter



**777058** Hose connector A19-7-1/8"



**437944** High pressure valve 30 l/min ex. adapter



**777059** Spole 12W, 230V 50/60Hz 0-70bar

Spare part for:

437430 High-pres. valve 1x230V 50/60Hz 3 l/min

437431 High-pres. valve 1x230V 50/60Hz 3 l/min



**530970** Plug f. Parker high-pressure valve 3/30 L



**437489** High-pressure valve two-way 3 l/min 230V 50/60



**437657** Coil high-pressure valve 3 L 230V 50/60H

Spare part for:

437489 High-pressure valve two-way 3 l/min 230V 50/60

### Nozzles and various accessories



**437572 High-pressure valve two-way 3 l/min 24V DC**



**437490 High-pressure valve two-way 30 l/min 230V**



**437996 Coil high-pressure valve 30 l 230V**

Spare part for:

437490 High-pressure valve two-way 30 l/min 230V



**437631 High-pr. valve two-way 15 l/min 230V 50Hz**

**437632 High-pr. valve two-way 15 l/min 230V 60Hz**



**437634 Coil 240V, 50 Hz, 10W, IP67**

Spare part for:

437631 High-pr. valve two-way 15 l/min 230V 50Hz



**437646 Acidproof straight joiner 2x12mm A4**



**437647 Acidproof angle joiner 2x12mm A4**

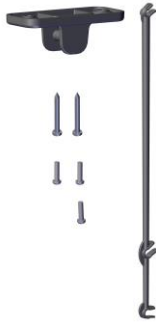


**437648 Acidproof T-joiner 3x12mm A4**



**Nozzles and various accessories****437561 Splicing sleeve straight press 12mm A4****437562 Splicing sleeve T-piece press 12mm A4****437560 Splicing sleeve 90 degrees 12mm A4****437679 Cool pipe suspen f/ceiling w wire, start****437680 Cool pipe suspen f/ceiling w wire, next****437675 Cool pipe suspension for ceiling start**

### Nozzles and various accessories



**437676** Cool pipe suspension for ceiling next



**522334** Extension for extra cooling pipe f/ceiling



**437478** Assembling tool for FlexClamp



**437690** Rems mini Akku press incl. V12 jaw



**437692** Press jaw V12 for Rems mini Akku-press

Spare part for:

437690 Rems mini Akku press incl. V12 jaw



**437559** Sleeve press tool - V12 notch f. spl. SI

Spare part for:

437553 REMS Akku press incl. V12 jaw



**437600** DA 2000 Manual press tool w. V12 jaws

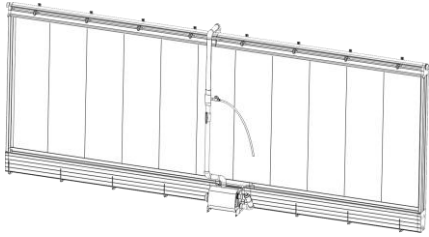


**437450** Pipe cutter

**Nozzles and various accessories****437446 Punch pliers for FlexClamp nozzles****437186 DA 2000 measuring mandrel for FlexClamp****437449 Chamfering tool****522670 Collar band 3/4" for cooling pump**

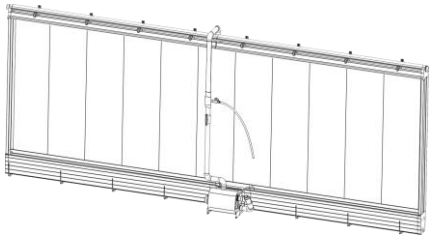
## 6.5 DA 100B/DA 150B pad cooling

### DA 100B pad cooling



- 437776 DA 100B pad cool basic 6m 1x230V 50Hz
- 437766 DA 100B pad cool basic 6m 1x230V 60Hz
- 437717 DA 100B pad cool basic 3m 1x230V 50Hz
- 437758 DA 100B pad cool basic 6m 3x230/400V 60Hz

### DA 150B pad cooling

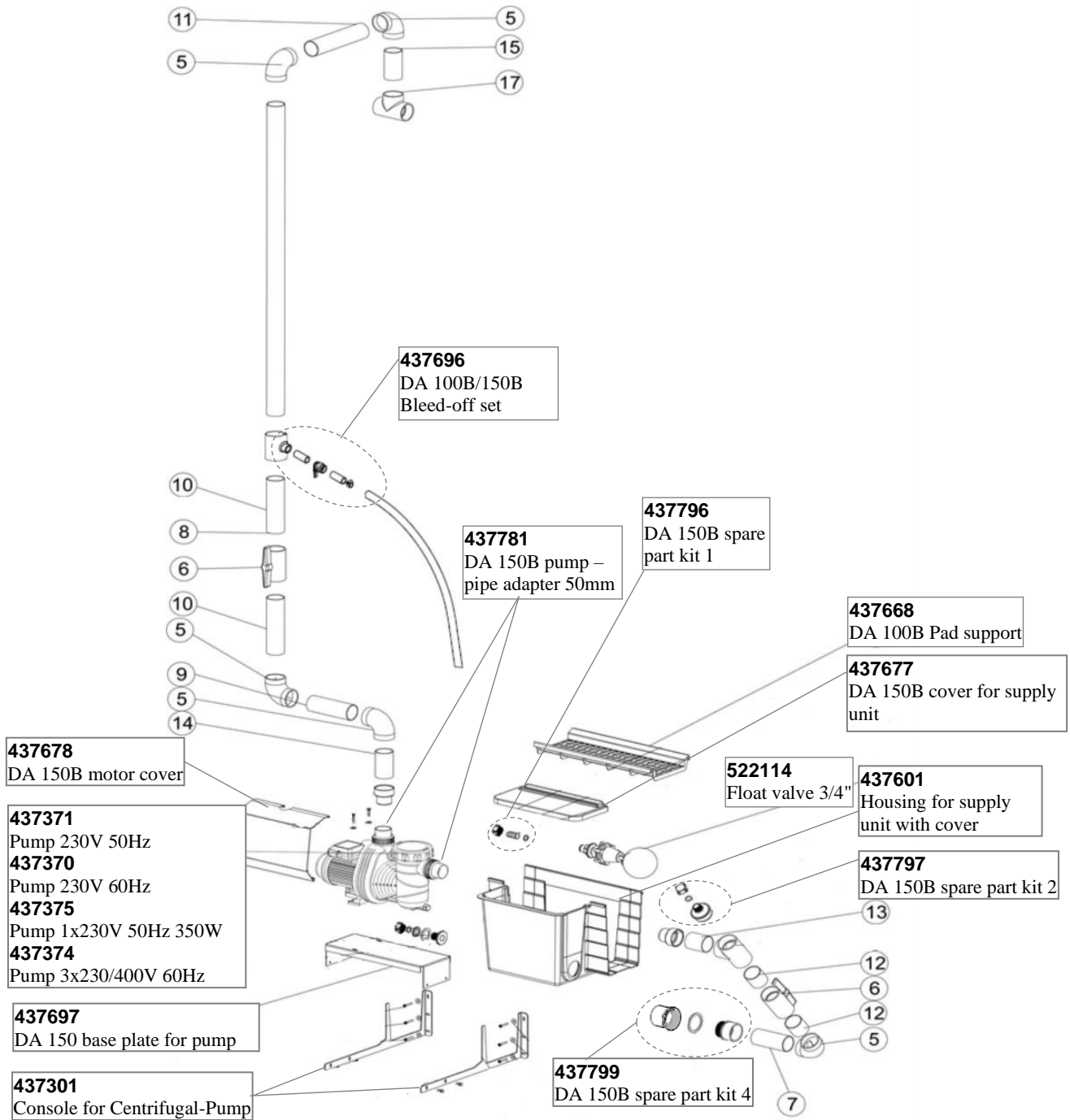


- 437773 DA 150B pad cool basic 6m 1x230V 50Hz
- 437774 DA 150B pad cool basic 6m 1x230V 60Hz
- 437783 DA 150B pad cool basic 6m ex pump
- 437778 DA 150B pad cool basic 3m 1x230V 50Hz
- 437759 DA 150B pad cool basic 6m 3x230/400V 60Hz

### 6.5.1 DA 100B pad cooling

#### DA 100B pad cooling

DA 100B pad cooling basic contains pump, supply unit, middle element, and end kit.

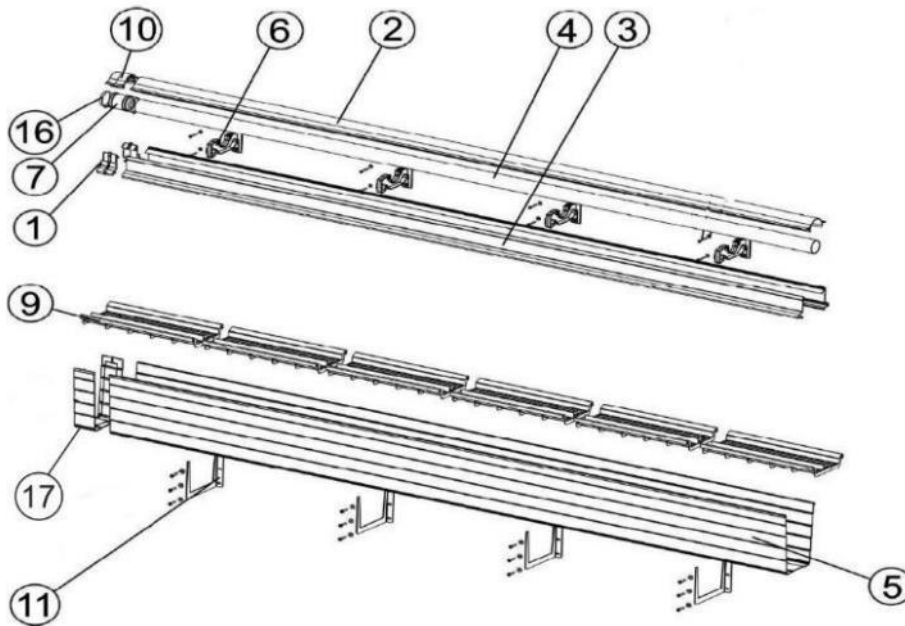


**DA 100B supply unit contains following parts:**

Pos. no.	Number	Item no.	Description
5	5	437762	Elbow glue coupler 2"
6	2	437761	Ball valve 2"
7-15	1	437622	PVC pipe 2 x 2500
17	2	437606	T-glue coupler 2"

## DA 100B pad cooling

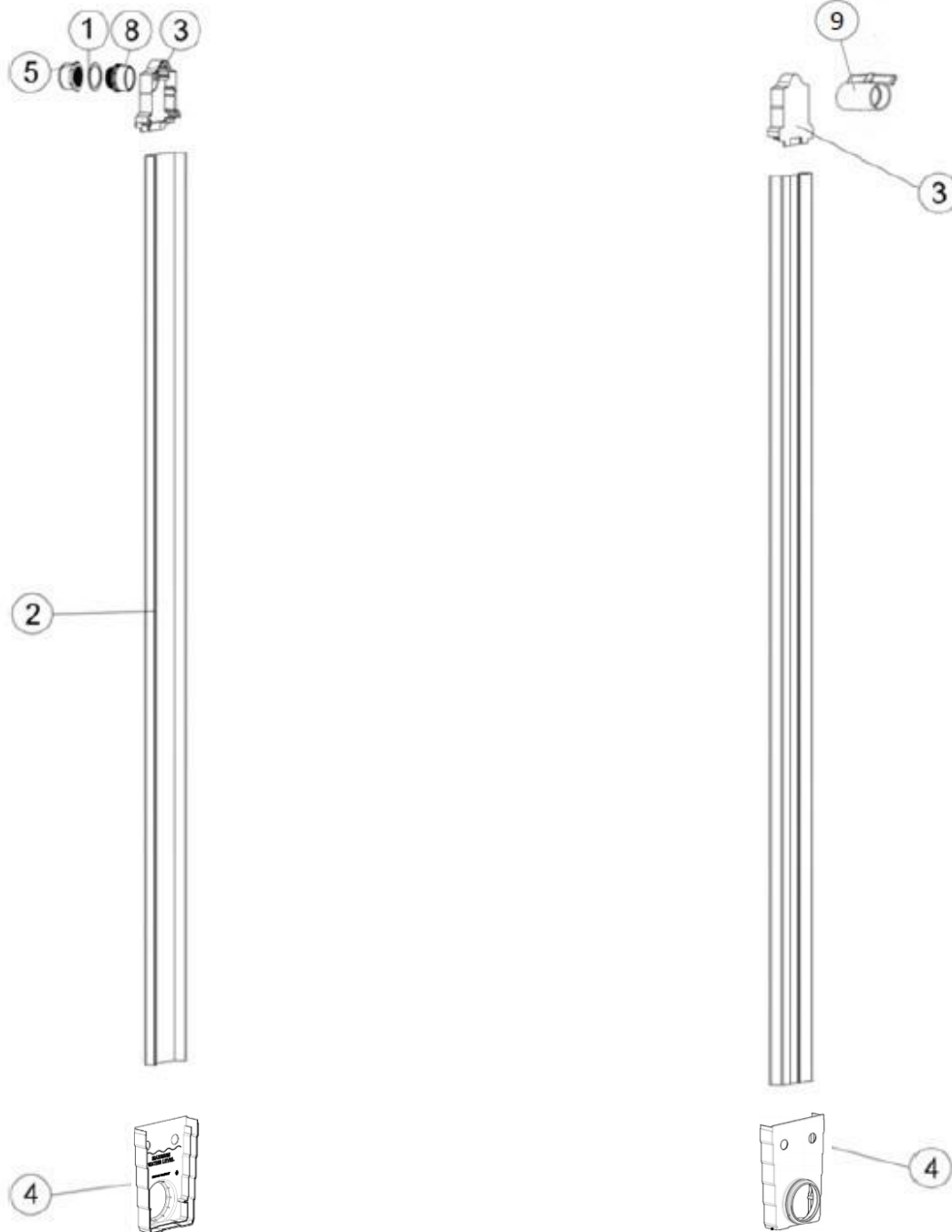
437777 DA 100B pad cool middle/end kit 6m



### Middle kit

Pos. no.	Number	Item no.	Description
1	4	437616	Pad guide connector complete
2	2	437610	Deflector 3000
2	2	437138	Deflector 3000mm hinged
3	4	437609	Pad guide 3000
4	2	437611	Water distribution pipe 2" 4/100-3000
5	1	437608	Water gutter 3000
6	8	437667	DA 100B top bracket
6	8	437141	Top bracket hinged 100 mm pad
7	2	437605	Pipe connector
9	11	437668	DA 100B pad support
10	2	437618	Deflector coupler
10	2	437139	Deflector coupler hinged
11	7	437603	Ground bracket for water gutter
16	4	437604	Clamp for pipe connector 50-70 mm
17	1	437607	Connector, gutter system

## DA 100B pad cooling



## End kit

Pos. no.	Number	Item no.	Description
1+5+8	1	437698	DA 100B/150B kit 2" for rinse
2	2	437621	Pad end cover 6"/150 mm
3		437669	End piece for 4"
3		437142	End cover deflector 4" hinged
4	2	437619	End cover for water gutter
9	1	437761	Ball valve 2"



### DA 100B pad cooling



#### 437370 DA 100B/150B pump 1x230V 60Hz

Spare part for:

437766 DA 100B pad cool basic 6m 1x230V 60Hz

437765 DA 100B pad cool supply 1x230V 60Hz



#### 437371 DA 100B/150B pump 1x230V 50Hz

Spare part for:

437776 DA 100B pad cool basic 6m 1x230V 50Hz

437768 DA 100B pad cool supply 1x230V 50Hz



#### 229320 M-capacitor 25mF for pad cooling

Spare part for:

437370 DA 100B/150B pump 1x230V 60Hz

437371 DA 100B/150B pump 1x230V 50Hz



#### 437374 DA 100B/150B pump 3x230/400V 60Hz

Spare part for:

437758 DA 100B pad cool basic 6m 3X230/400V60Hz

437715 DA 100B pad cool supply 3X230/400V 60Hz



#### 437375 DA 100B/150B pump 1x230V 50Hz 350W

Spare part for:

437717 DA 100B pad cool basic 3m 1x230V 50Hz

437718 DA 100B pad cool supply 3m 1x230V 50Hz



#### 437671 DA 100B/150B pump rotor blade 60Hz pump

Spare part for:

437370 DA 100B/150B pump 230V 60Hz



#### 437674 Pump rotor blade 50Hz

Spare part for:

437371 DA 100B/150B pump 230V 50Hz



#### 439427 Mechanical seal for pump

**DA 100B pad cooling****437947 DA 100B/150B check valve kit****437928 DA 100B/150B pump - reconstruction set****437781 DA 150B pump – pipe adapter 50mm****437782 DA 150B pump –pipe transition joint 60,7****437669 End piece for 4"****437142 End cover deflector 4" hinged****437667 DA 100B top bracket****437141 Top bracket hinged 100 mm pad**

### DA 100B pad cooling



- 437266 Pad 100x600x1500 45/15 S
- 437267 Pad 100x600x1800 45/15 S
- 437268 Pad 100x600x2000 45/15 S
- 437266F Pad 100x600x1500 45/15 S
- 437267F Pad 100x600x1800 45/15 S
- 437268F Pad 100x600x2000 45/15 S

SKOV standard pad.



- 437263 Pad 100x600x1000 green stripe 45/15
- 437325 Pad 100x600x1800 green stripe 45/15
- 437326 Pad 100x600x2000 green stripe 45/15



- 437281 Pad 100x600x1500 45/15 black coated
- 437282 Pad 100x600x1800 45/15 black coated
- 437283 Pad 100x600x2000 45/15 black coated

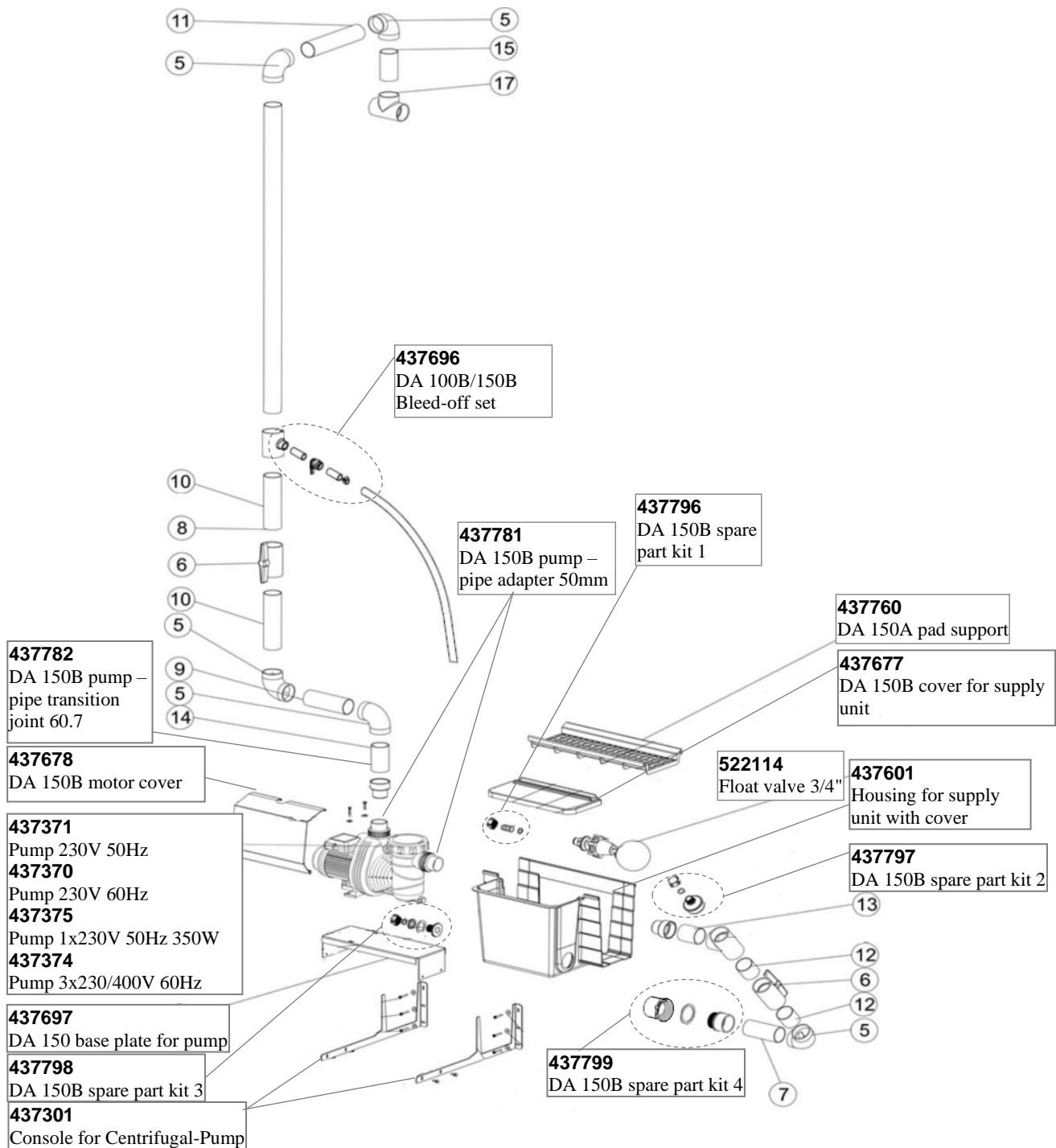


- 437584 DA 150B glue kit - max. 12m

### 6.5.2 DA 150B pad cooling

#### DA 150B pad cooling

DA 150B pad cooling basic contains pump, supply unit, middle element, and end kit.

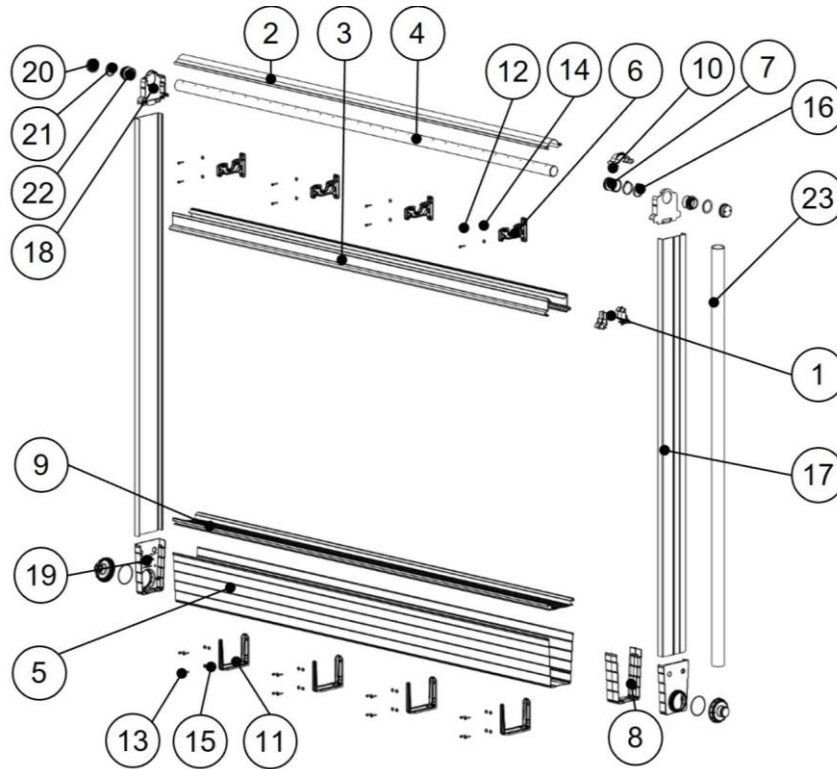


**DA 150B supply unit contains following parts:**

Pos. no.	Number	Item no.	Description
5	5	437762	Elbow glue coupler 2"
6	2	437761	Ball valve 2"
7-15	1	437622	PVC pipe 2 x 2500
17	2	437606	T-glue coupler 2"

## DA 150B pad cooling

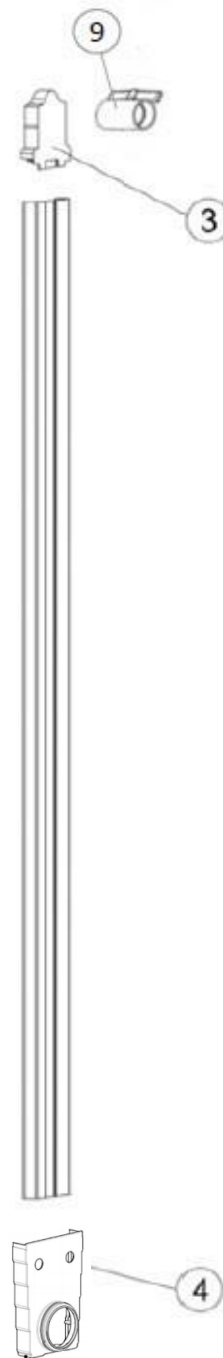
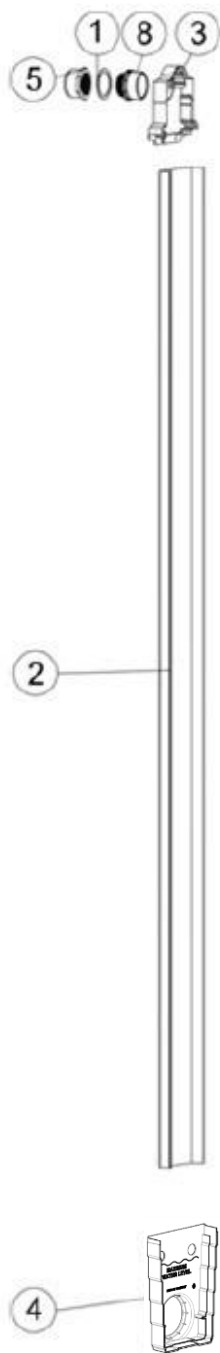
437775 DA 150B pad cool middle/end kit 6m



### Middle kit

Pos. no.	Number	Item no.	Description
1	4	437616	Pad guide connector complete
2	2	437610	Deflector 3000 mm
2	2	437138	Deflector 3000 mm hinged
3	4	437609	Pad guide 3000 mm
4	2	437611	Water distr. pipe 2" 4/100-3000
5	1	437608	Gutter system 3000 mm
6	8	437763	DA 150A top bracket
6	8	437143	Top bracket hinged 150 mm Pad
7	2	437605	Pipe connector
8	3	437607	Joint for water gutter
9	2	437070	DA 150B pad support 3000 mm
10	2	437618	Deflector coupler
10	2	437139	Deflector coupler hinged
11	7	437603	Bracket for water gutter
12/13	56		Fasteners 6x40
14/15	56		Washer A 6.4
16	4	437604	Clamp f/pipe connec. 50-70 mm
17	2		Pad end-cover 6"
18	2		End cover deflector 6" hinged
19	2		End cover for drain off
20	2		Sealing cap 2"
21	2		Flat gasket 59x75x2
22	2		Transition piece 2"
23	1		Water pipe 2" 2500 mm

## DA 150B pad cooling



## End kit

Pos. no.	Number	Item no.	Description
1+5+8	1	437698	DA 100B/150B kit 2" for rinse
2	2	437621	Pad end cover 6"/150 mm
3		437623	End piece for 6"
3		437140	End cover deflector 6" hinged
4	2	437619	End cover for water gutter
9	1	437761	Ball valve 2"



### DA 150B pad cooling



#### 437370 DA 100B/150B pump 1x230V 60Hz

Spare part for:

437774 DA 150B pad cool basic 6m 1x230V 60Hz

437771 DA 150B pad cool supply 1x230V 60Hz



#### 437371 DA 100B/150B pump 1x230V 50Hz

Spare part for:

437773 DA 150B pad cool basic 6m 1x230V 50Hz

437770 DA 150B pad cool supply 1x230V 50Hz



#### 229320 M-capacitor 25mF for pad cooling

Spare part for:

437370 DA 100B/150B pump 1x230V 60Hz

437371 DA 100B/150B pump 1x230V 50Hz



#### 437374 DA 100B/150B pump 3x230/400V 60Hz

Spare part for:

437759 DA 150B pad cool basic 6m 3X230/400V60Hz

437716 DA 150B pad cool supply 3X230/400V 60Hz



#### 437375 DA 100B/150B pump 1x230V 50Hz 350W

Spare part for:

437778 DA 150B pad cool basic 3m 1x230V 50Hz

437779 DA 150B pad cool supply 3m 1x230V 50Hz



#### 437671 DA 100B/150B pump rotor blade 60Hz pump

Spare part for:

437370 DA 100B/150B pump 230V 60Hz



#### 437674 Pump rotor blade 50Hz

Spare part for:

437371 DA 100B/150B pump 230V 50Hz



#### 439427 Mechanical seal for pump



### DA 150B pad cooling



437947 DA 100B/150B check valve kit



437928 DA 100B/150B pump - reconstruction set



437781 DA 150B pump – pipe adapter 50mm



437782 DA 150B pump –pipe transition joint 60,7



437623 End piece for 6"



437140 End cover deflector 6" hinged



437269 Pad 150x600x1500 45/15 S

437270 Pad 150x600x1800 45/15 S

437271 Pad 150x600x2000 45/15 S

437269F Pad 150x600x1500 45/15 S

SKOV standard pad.

### DA 150B pad cooling



437256F Pad 150x600x1200 45/15 H  
 437251F Pad 150x600x1800 45/15 H  
 437250F Pad 150x600x2000 45/15 H



437290 Pad 150x600x1500 45/15 G  
 437291 Pad 150x600x1800 45/15 G  
 437292 Pad 150x600x2000 45/15 G



437287 Pad 150x600x1500 45/15 black coated S  
 437288 Pad 150x600x1800 45/15 black coated S  
 437289 Pad 150x600x2000 45/15 black coated S  
 437288F Pad 150x600x1800 45/15 black coated S  
 437289F Pad 150x600x2000 45/15 black coated S

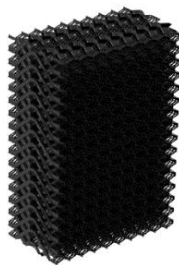


437284 Pad 150x600x1500 45/15 black coated  
 437285 Pad 150x600x1800 45/15 black coated  
 437286 Pad 150x600x2000 45/15 black coated



437279 Pad 150x600x2000 45/45 S

437262 Pad 150x600x1500 with light reduction  
 437261 Pad 150x600x1800 with light reduction



437274 Pad PP150-3 150x600x1500  
 437275 Pad PP150-3 150x600x1800  
 437276 Pad PP150-3 150x600x2000

**DA 150B pad cooling**

437584 DA 150B glue kit - max. 12m



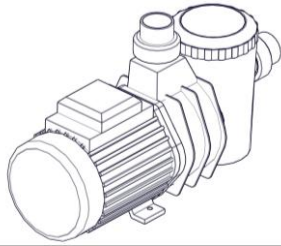
## 6.6 DA 150C pad cooling

[DA 150C pad cooling](#)

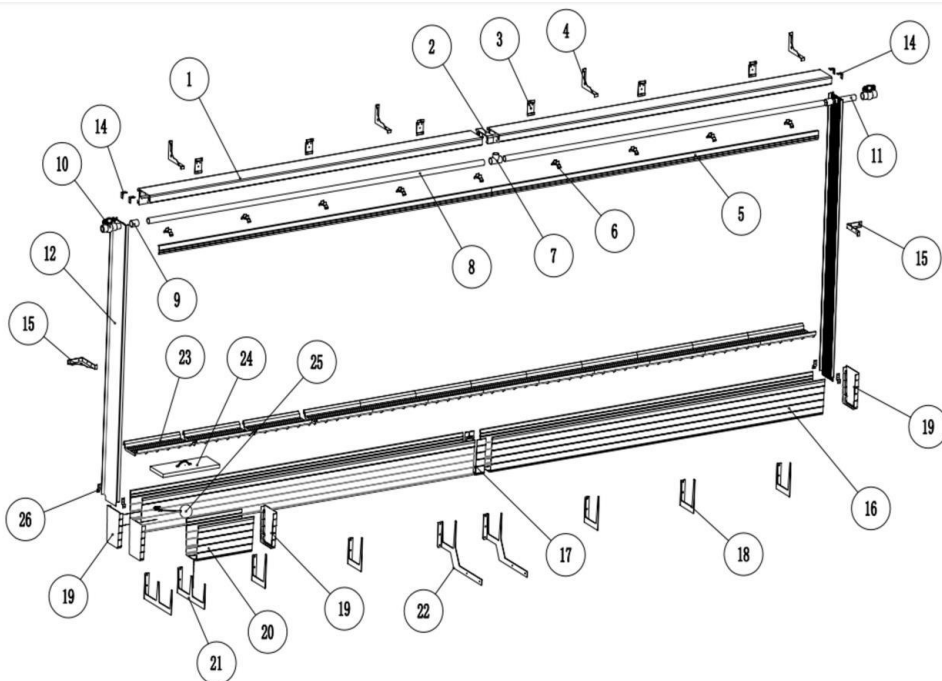
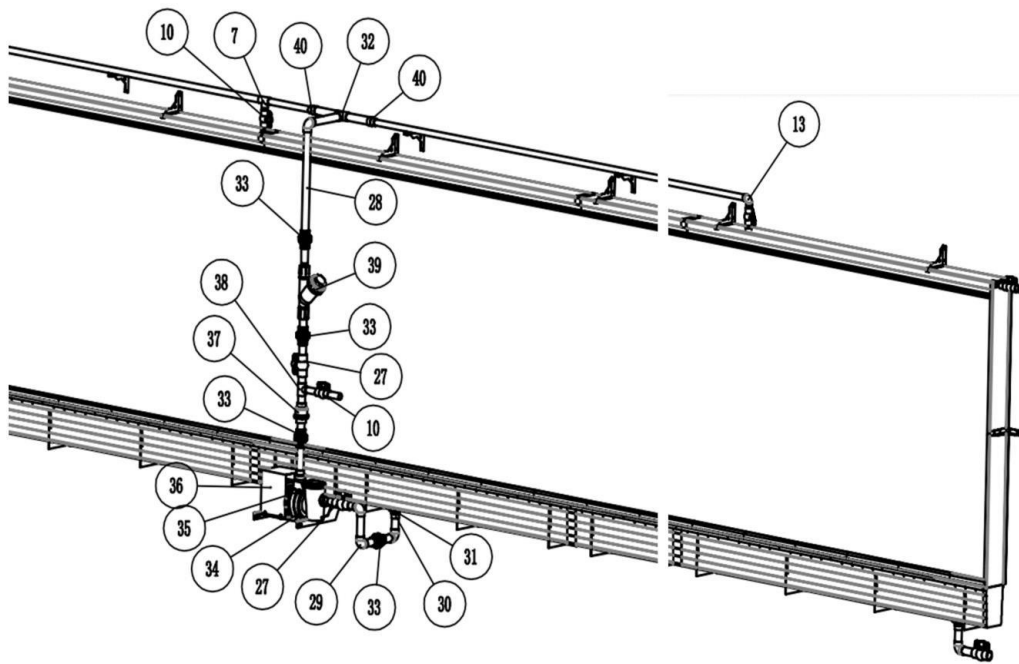

















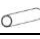




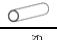



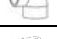





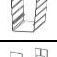

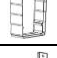

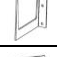

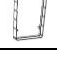



### 6.6.1 DA 150C pad cooling

#### DA 150C pad cooling



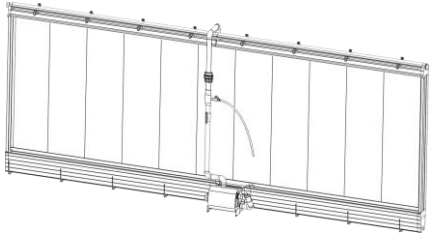
- 437078F DA 150C pump 1x230V 50Hz
- 437079F DA 150C pump 1x230V 60Hz
- 437080F DA 150C pump 3x230/400V 50Hz
- 437081F DA 150C pump 3x230/400V 60Hz



1		Top frame 3000 mm	21		Bracket for water gutter double
2		Top frame coupler	22		Bracket for pump
3		Top frame fixing plate	23		Pad support 150/500
4		Top frame bracket	24		Cover for supply unit
5		Cover plate	25		Float valve
6		Pipe support	26		Side frame connecting piece Z shaped
7		Tee 1 1/4"	27		Ball valve 1 1/2"
8		Water distribution pipe 1 1/4" 3000 mm	28		Pipe 1 1/2" 3000 mm
9		Pipe connector 1 1/4"	29		Elbow 90° 1 1/2"
10		Ball valve 1 1/4"	30		Transition nipple 1 1/2"
11		Pipe 1 1/4" 3000 mm	31		Tank threaded joint 1 1/2"
12		Side frame	32		Tee 1 1/2"
13		Elbow 90° 1 1/4"	33		Union joint 1 1/2"
14		Top frame connecting piece L shaped	34		Pump base
15		Side frame bracket	35		Pump
16		Water gutter 3000 mm	36		Pump cover
17		Joint for water gutter	37		Non-return valve 1 1/2"
18		Bracket for water gutter	38		Tee 1 1/2" - 1 1/4"
19		End cover	39		Filter
20		Supply unit	40		Reduction 1 1/2" - 1 1/4"

## 6.7 DA 100B/DA 150 HD pad cooling

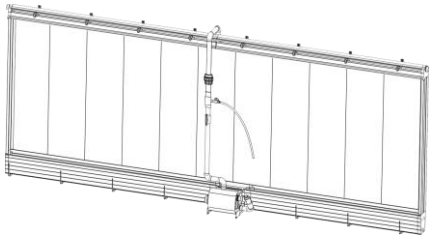
### DA 100B HD pad cooling



437789 DA 100B HD pad cool basic 6m 1x230V 50Hz

437790 DA 100B HD pad cool basic 6m 1x230V 60Hz

### DA 150B HD pad cooling



437785 DA 150B HD pad cool basic 6m 1x230V 50Hz

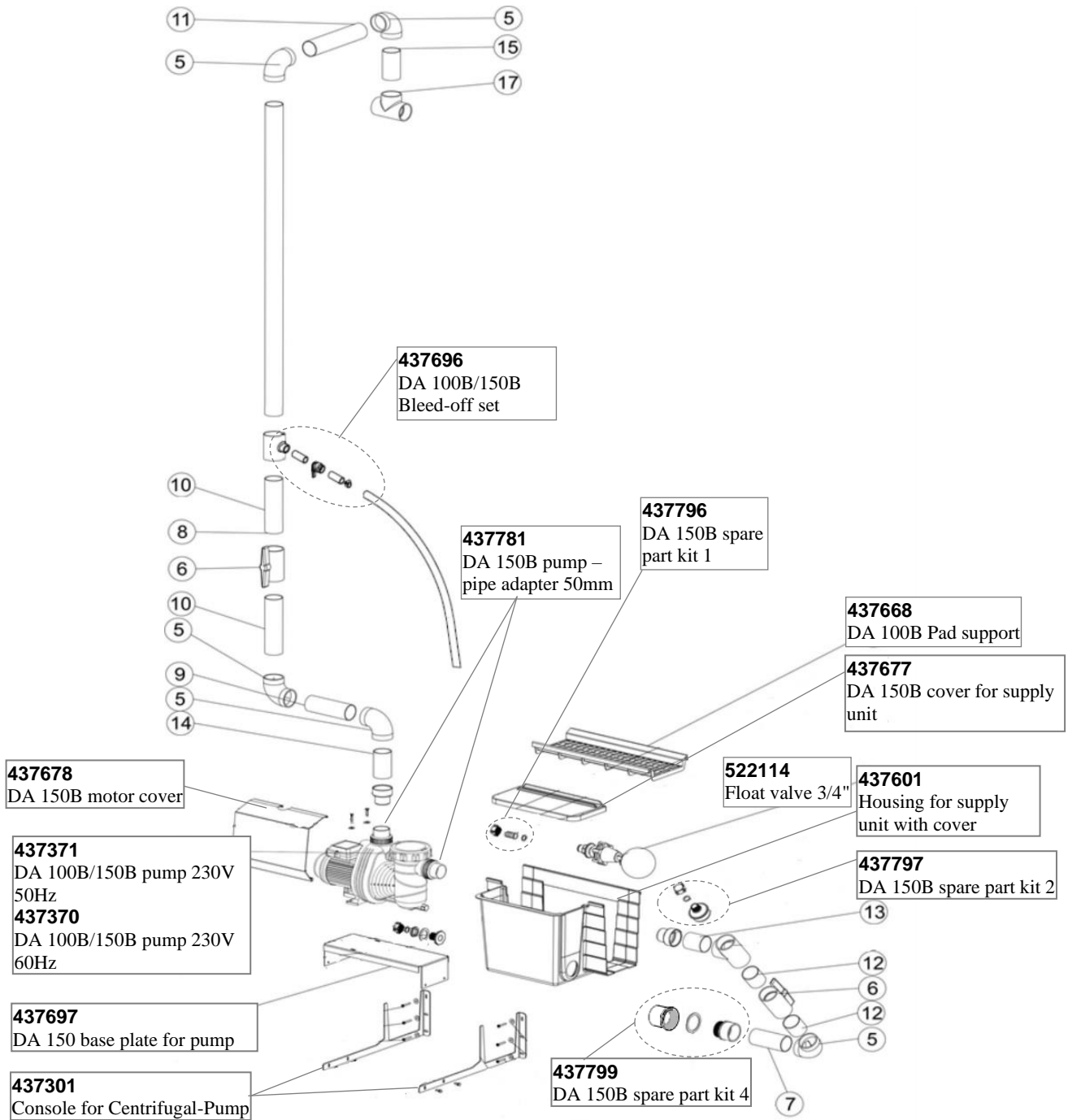
437786 DA 150B HD pad cool basic 6m 1x230V 60Hz



### 6.7.1 DA 100B HD pad cooling

#### DA 100B HD pad cooling

DA 100B HD pad cooling basic contains pump, supply unit, middle element, and end kit.

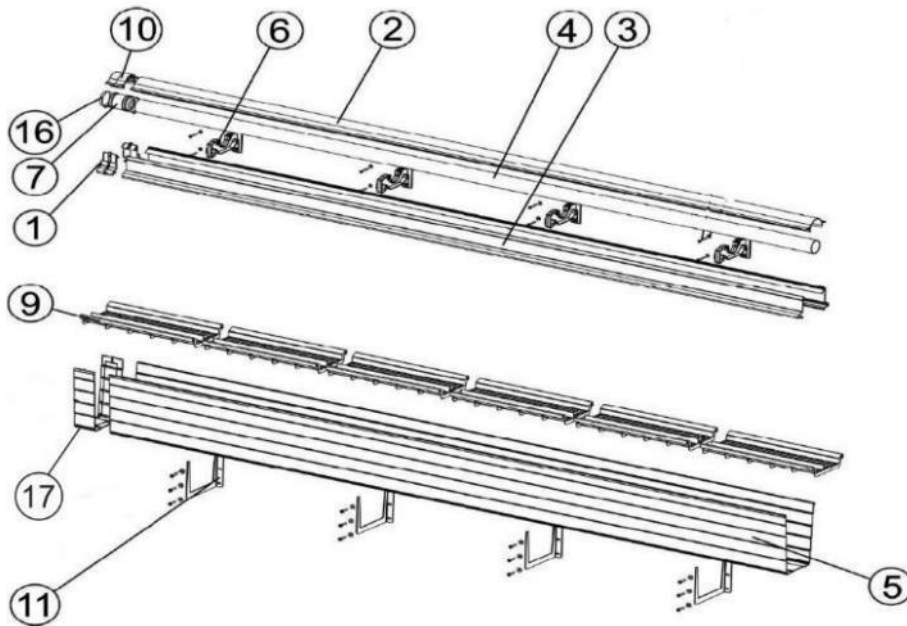


**DA 100B HD supply unit contains following parts:**

Pos. no.	Number	Item no.	Description
5	5	437762	Elbow glue coupler 2"
6	2	437761	Ball valve 2"
7-15	1	437622	PVC pipe 2 x 2500
17	2	437606	T-glue coupler 2"

## DA 100B HD pad cooling

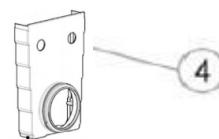
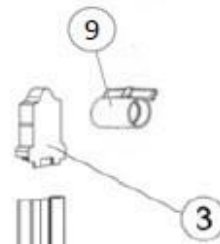
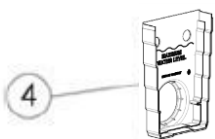
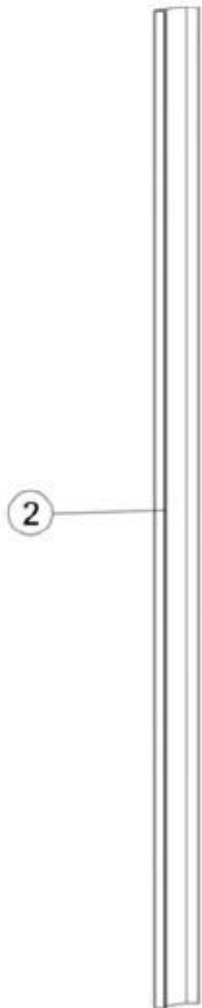
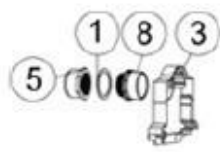
437791 DA 100B HD pad cool middle/end kit 6m



### Middle kit

Pos. no.	Number	Item no.	Description
1	4	437616	Pad guide connector complete
2	2	437138	Deflector 3000mm hinged
3	4	437609	Pad guide 3000
4	2	437144	Water distribution pipe 2" 3/125-3000
5	1	437608	Water gutter 3000
6	8	437141	Top bracket hinged 100 mm pad
7	2	437605	Pipe connector
9	11	437668	DA 100B pad support
10	2	437139	Deflector coupler hinged
11	7	437603	Bracket for gutter system ss
16	4	437604	Clamp for pipe connector 50-70 mm
17	1	437607	Connector, gutter system

## DA 100B HD pad cooling



## End kit

Pos. no.	Number	Item no.	Description
1+5+8	1	437698	DA 100B/150B kit 2" for rinse
2	2	437621	Pad end cover 6"/150 mm
3		437142	End cover deflector 4" hinged
4	2	437619	End cover for water gutter
9	1	437761	Ball valve 2"

### DA 100B HD pad cooling



**437370 DA 100B/150B pump 1x230V 60Hz**

Spare part for:

437790 DA 100B HD pad cool basic 6m 1x230V 60Hz



**437371 DA 100B/150B pump 1x230V 50Hz**

Spare part for:

437789 DA 100B HD pad cool basic 6m 1x230V 50Hz



**229320 M-capacitor 25mF for pad cooling**

Spare part for:

437370 DA 100B/150B pump 1x230V 60Hz

437371 DA 100B/150B pump 1x230V 50Hz



**437764 DA 100B/150B HD Frequency converter**



**437671 DA 100B/150B pump rotor blade 60Hz pump**

Spare part for:

437370 DA 100B/150B pump 230V 60Hz



**437674 Pump rotor blade 50Hz**

Spare part for:

437371 DA 100B/150B pump 230V 50Hz



**439427 Mechanical seal for pump**



**437947 DA 100B/150B check valve kit**

### DA 100B HD pad cooling



437673 DA 100B/150B HD update kit



437928 DA 100B/150B pump - reconstruction set



437781 DA 150B pump – pipe adapter 50mm



437782 DA 150B pump –pipe transition joint 60,7



437266 Pad 100x600x1500 45/15 S

437267 Pad 100x600x1800 45/15 S

437268 Pad 100x600x2000 45/15 S

437266F Pad 100x600x1500 45/15 S

437267F Pad 100x600x1800 45/15 S

437268F Pad 100x600x2000 45/15 S

SKOV standard pad.



437263 Pad 100x600x1000 green stripe 45/15

437325 Pad 100x600x1800 green stripe 45/15

437326 Pad 100x600x2000 green stripe 45/15



437281 Pad 100x600x1500 45/15 black coated

437282 Pad 100x600x1800 45/15 black coated

437283 Pad 100x600x2000 45/15 black coated

**DA 100B HD pad cooling**

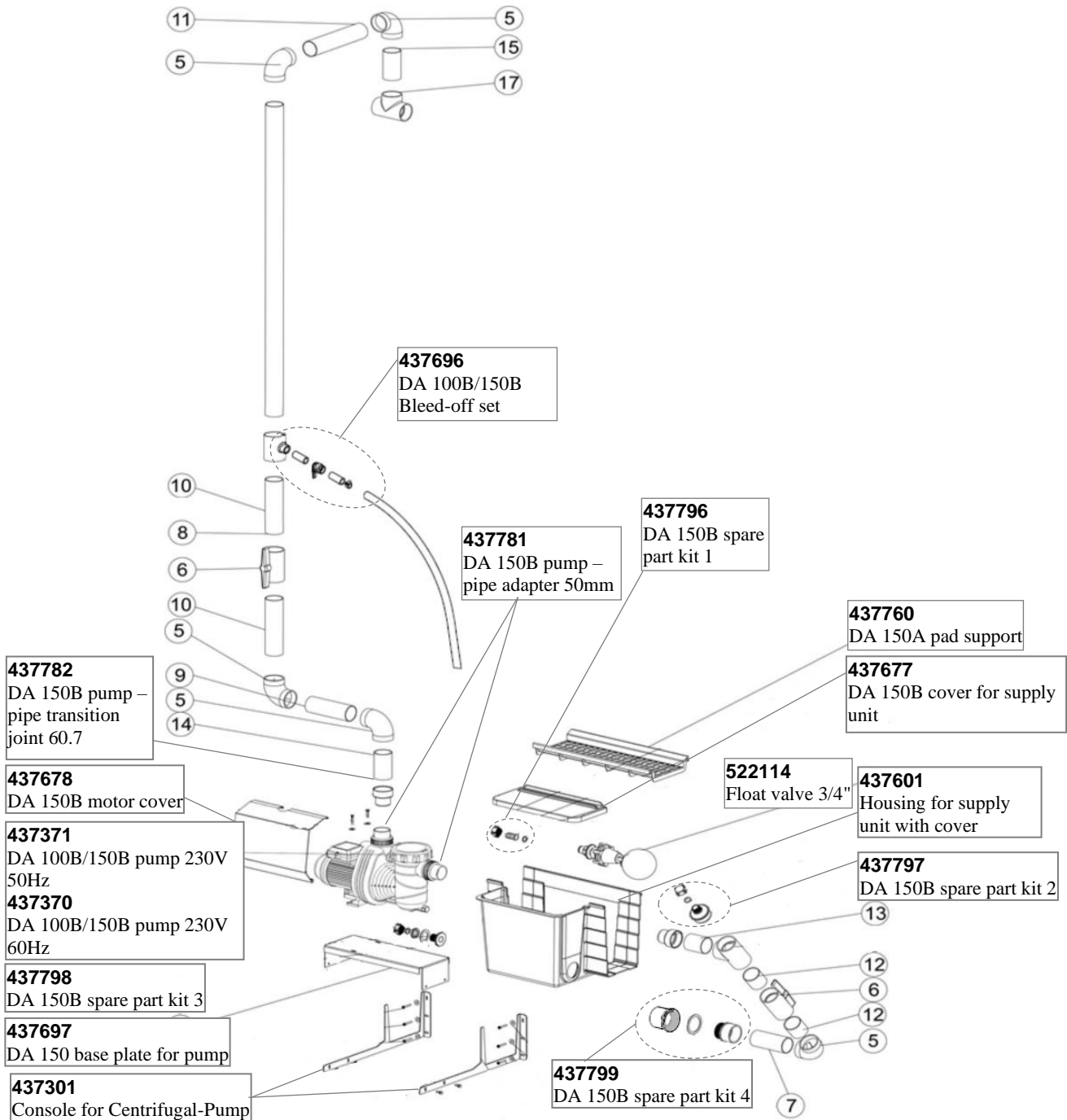
437584 DA 150B glue kit - max. 12m



### 6.7.2 DA 150B HD pad cooling

**DA 150B HD pad cooling**

DA 150B HD pad cooling basic contains pump, supply unit, middle element, and end kit.



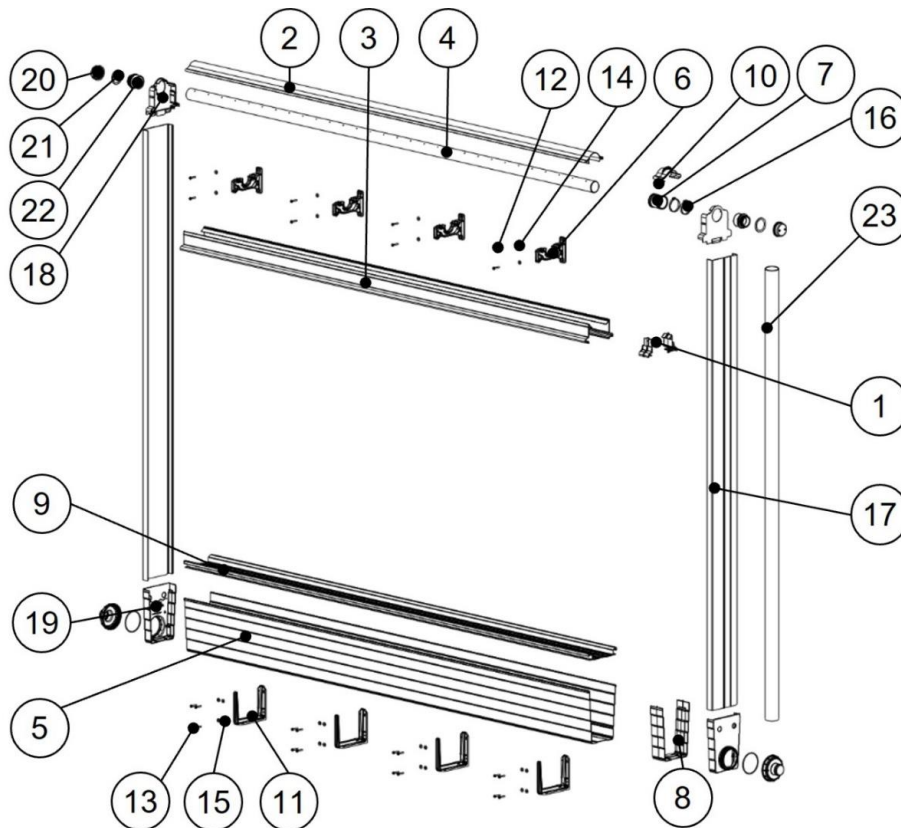
**DA 150B HD supply unit contains following parts:**

Pos. no.	Number	Item no.	Description
5	5	437762	Elbow glue coupler 2"
6	2	437761	Ball valve 2"
7-15	1	437622	PVC pipe 2 x 2500
17	2	437606	T-glue coupler 2"



## DA 150B HD pad cooling

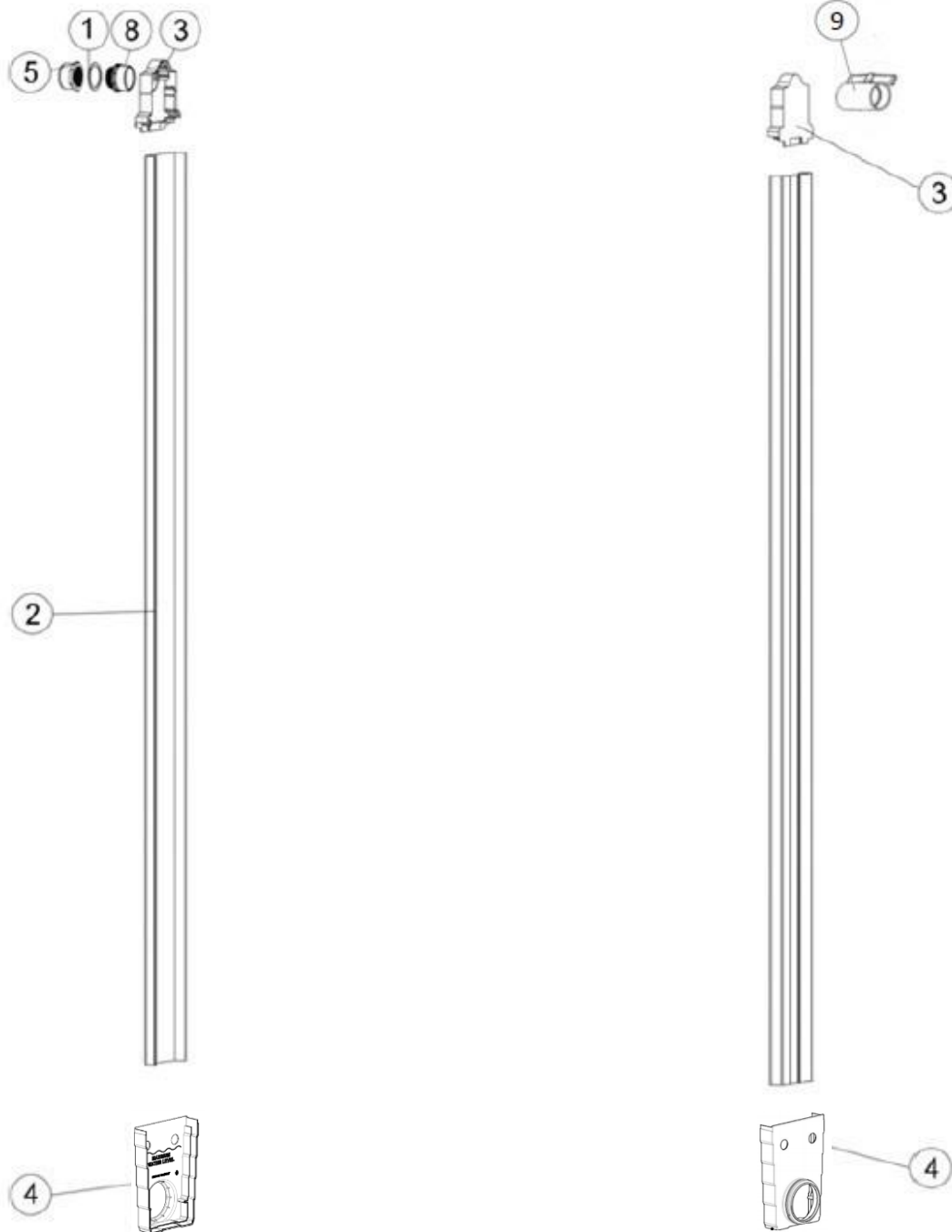
437787 DA 150B HD pad cool middle/end kit 6m



## Middle kit

Pos. no.	Number	Item no.	Description
1	4	437616	Pad guide connector complete
2	2	437138	Deflector 3000 mm hinged
3	4	437609	Pad guide 3000 mm
4	2	437144	Water distribution pipe 2" 3/125-3000 mm
5	1	437608	Water gutter 3000 mm
6	8	437143	Top bracket hinged 150 mm Pad
7	2	437605	Pipe connector
8	3	437607	Joint for water gutter
9	2	437070	DA 150B pad support 3000 mm
10	2	437139	Deflector coupler hinged
11	7	437603	Bracket for gutter system ss
12/13	56		Fasteners 6x40
14/15	56		Washer A 6.4
16	4	437604	Clamp for pipe connector 50-70 mm
17	1	437607	Connector, gutter system
18	2		End cover deflector 6" hinged
19	2		End cover for drain off
20	2		Sealing cap 2"
21	2		Flat gasket 59x75x2
22	2		Transition piece 2"
23	1		Water pipe 2" 2500 mm

## DA 150B HD pad cooling



## End kit

Pos. no.	Number	Item no.	Description
1+5+8	1	437698	DA 100B/150B kit 2" for rinse
2	2	437621	Pad end cover 6"/150 mm
3		437140	End cover deflector 6" hinged
4	2	437619	End cover for water gutter
9	1	437761	Ball valve 2"

### DA 150B HD pad cooling



**437370 DA 100B/150B pump 1x230V 60Hz**

Spare part for:

437786 DA 150B HD pad cool basic 6m 1x230V 60Hz



**437371 DA 100B/150B pump 1x230V 50Hz**

Spare part for:

437785 DA 150B HD pad cool basic 6m 1x230V 50Hz



**229320 M-capacitor 25mF for pad cooling**

Spare part for:

437370 DA 100B/150B pump 1x230V 60Hz

437371 DA 100B/150B pump 1x230V 50Hz



**437671 DA 100B/150B pump rotor blade 60Hz pump**

Spare part for:

437370 DA 100B/150B pump 230V 60Hz



**437674 Pump rotor blade 50Hz**

Spare part for:

437371 DA 100B/150B pump 230V 50Hz



**439427 Mechanical seal for pump**



**437947 DA 100B/150B check valve kit**



**437673 DA 100B/150B HD update kit**

### DA 150B HD pad cooling



437928 DA 100B/150B pump - reconstruction set



437781 DA 150B pump – pipe adapter 50mm



437782 DA 150B pump –pipe transition joint 60,7



437269 Pad 150x600x1500 45/15 S

437270 Pad 150x600x1800 45/15 S

437271 Pad 150x600x2000 45/15 S

437269F Pad 150x600x1500 45/15 S

SKOV standard pad.



437256F Pad 150x600x1200 45/15 H

437251F Pad 150x600x1800 45/15 H

437250F Pad 150x600x2000 45/15 H



437287 Pad 150x600x1500 45/15 black coated S

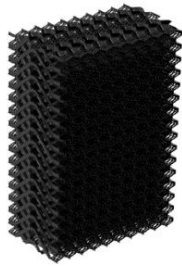
437288 Pad 150x600x1800 45/15 black coated S

437289 Pad 150x600x2000 45/15 black coated S

437289F Pad 150x600x2000 45/15 black coated S



437279 Pad 150x600x2000 45/45 S

**DA 150B HD pad cooling**

437274 Pad PP150-3 150x600x1500

437275 Pad PP150-3 150x600x1800

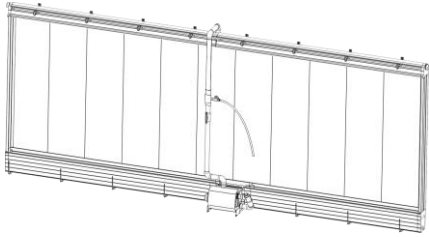
437276 Pad PP150-3 150x600x2000



437584 DA 150B glue kit - max. 12m

## 6.8 DA 100B/DA 150B pad cooling Big

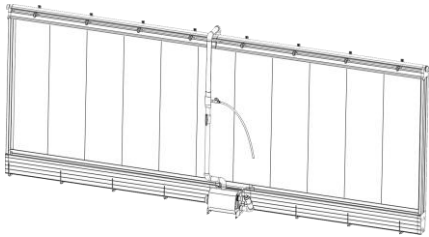
### DA 100B pad cooling Big



437836 DA 100B pad cool basic big 6m 1x230V 50Hz

437838 DA 100B pad cool basic big 6m 1x230V 60Hz

### DA 150B pad cooling Big



437837 DA 150B pad cool basic big 6m 1x230V 50Hz

437839 DA 150B pad cool basic big 6m 1x230V 60Hz

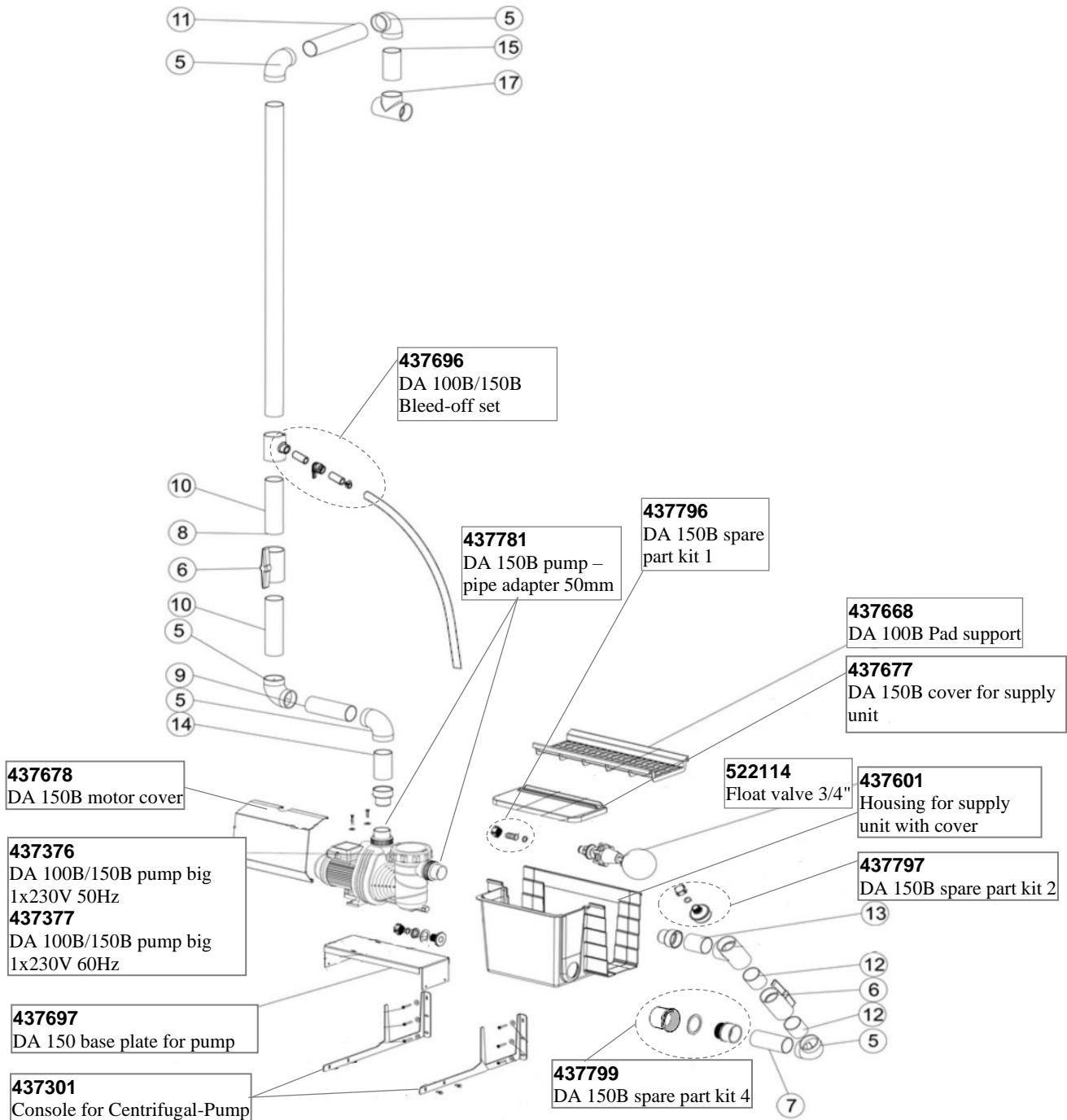
437850 DA 150B pad cool basic big 6m 3x230/400V 50Hz

437855 DA 150B pad cool basic big 6m 3x230/400V 60Hz

### 6.8.1 DA 100B pad cooling Big

#### DA 100B pad cooling Big

DA 100B pad cooling Big basic contains pump, supply unit, middle element, and end kit.



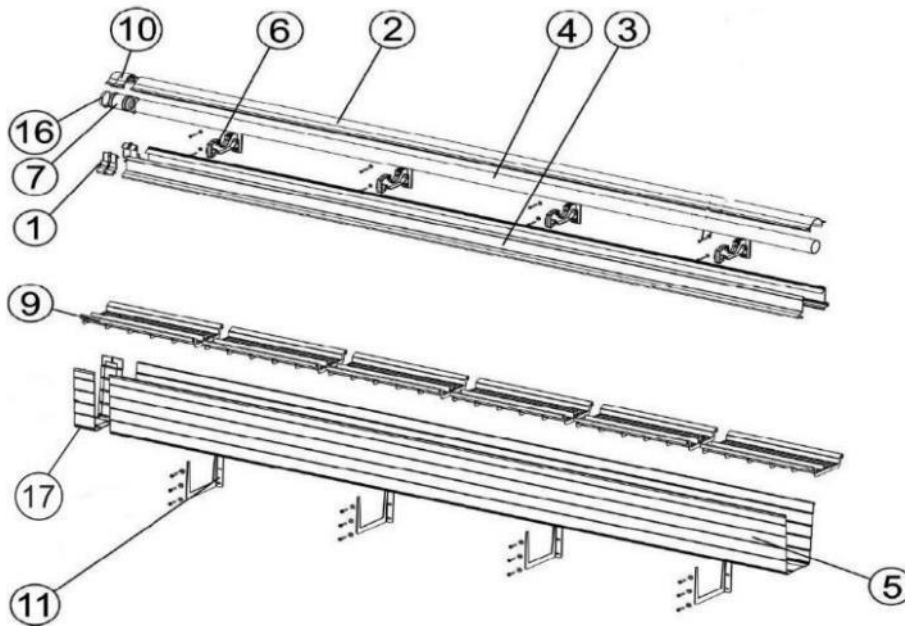
**DA 100B Big supply unit contains following parts:**

Pos. no.	Number	Item no.	Description
5	5	437762	Elbow glue coupler 2"
6	2	437761	Ball valve 2"
7-15	1	437622	PVC pipe 2 x 2500
17	2	437606	T-glue coupler 2"



## DA 100B pad cooling Big

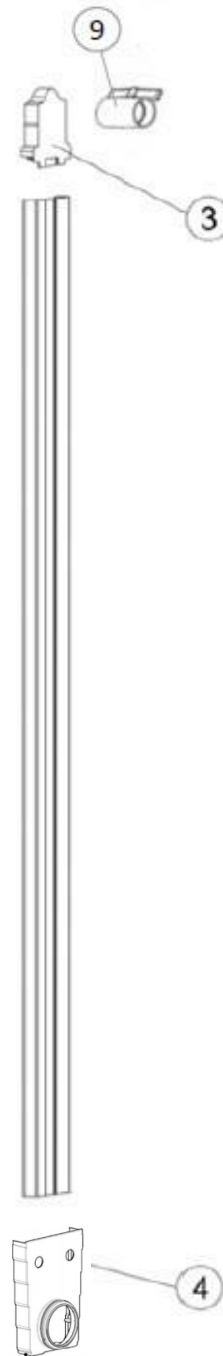
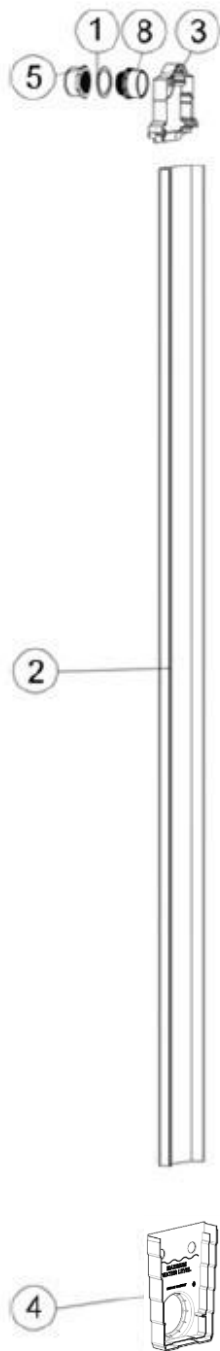
437777 DA 100B pad cool middle/end kit 6m



### Middle kit

Pos. no.	Number	Item no.	Description
1	4	437616	Pad guide connector complete
2	2	437610	Deflector 3000
2	2	437138	Deflector 3000mm hinged
3	4	437609	Pad guide 3000
4	2	437611	Water distribution pipe 2" 4/100-3000
5	1	437608	Water gutter 3000
6	8	437667	DA 100B top bracket
6	8	437141	Top bracket hinged 100 mm pad
7	2	437605	Pipe connector
9	11	437668	DA 100B pad support
10	2	437618	Deflector coupler
10	2	437139	Deflector coupler hinged
11	7	437603	Ground bracket for water gutter
16	4	437604	Clamp for pipe connector 50-70 mm
17	1	437607	Connector, gutter system

## DA 100B pad cooling Big



## End kit

Pos. no.	Number	Item no.	Description
1+5+8	1	437698	DA 100B/150B kit 2" for rinse
2	2	437621	Pad end cover 6"/150 mm
3		437669	End piece for 4"
3		437142	End cover deflector 4" hinged
4	2	437619	End cover for water gutter
9	1	437761	Ball valve 2"

### DA 100B pad cooling Big



**437376 DA 100B/150B pump big 1x230V 50Hz**

Spare part for:

437837 DA 150B pad cool basic big 6m 1x230V50Hz



**437377 DA 100B/150B pump big 1x230V 60Hz**

Spare part for:

437839 DA 150B pad cool basic big 6m 1x230V60Hz



**437381 DA 100B/150B pump big 3x230/400V 50Hz**

Spare part for:

437850 DA 150B pad cool basic big 6m 3phase 50Hz

437860 DA 150B pad cool supp big 3x230/400V50Hz



**437382 DA 100B/150B pump big 3x230/400V 60Hz**

Spare part for:

437855 DA 150B pad cool basic big 6m 3phase 60Hz

437900 DA 150B pad cool supp big 3x230/400V60Hz



**439427 Mechanical seal for pump**



**437947 DA 100B/150B check valve kit**



**437928 DA 100B/150B pump - reconstruction set**



**437781 DA 150B pump - pipe adapter 50mm**

### DA 100B pad cooling Big



437782 DA 150B pump –pipe transition joint 60,7

437669 End piece for 4"



437142 End cover deflector 4" hinged



437667 DA 100B top bracket



437141 Top bracket hinged 100 mm pad



437266 Pad 100x600x1500 45/15 S

437267 Pad 100x600x1800 45/15 S

437268 Pad 100x600x2000 45/15 S

437266F Pad 100x600x1500 45/15 S

437267F Pad 100x600x1800 45/15 S

437268F Pad 100x600x2000 45/15 S

SKOV standard pad.



437263 Pad 100x600x1000 green stripe 45/15

437325 Pad 100x600x1800 green stripe 45/15

437326 Pad 100x600x2000 green stripe 45/15



437281 Pad 100x600x1500 45/15 black coated

437282 Pad 100x600x1800 45/15 black coated

437283 Pad 100x600x2000 45/15 black coated

**DA 100B pad cooling Big**

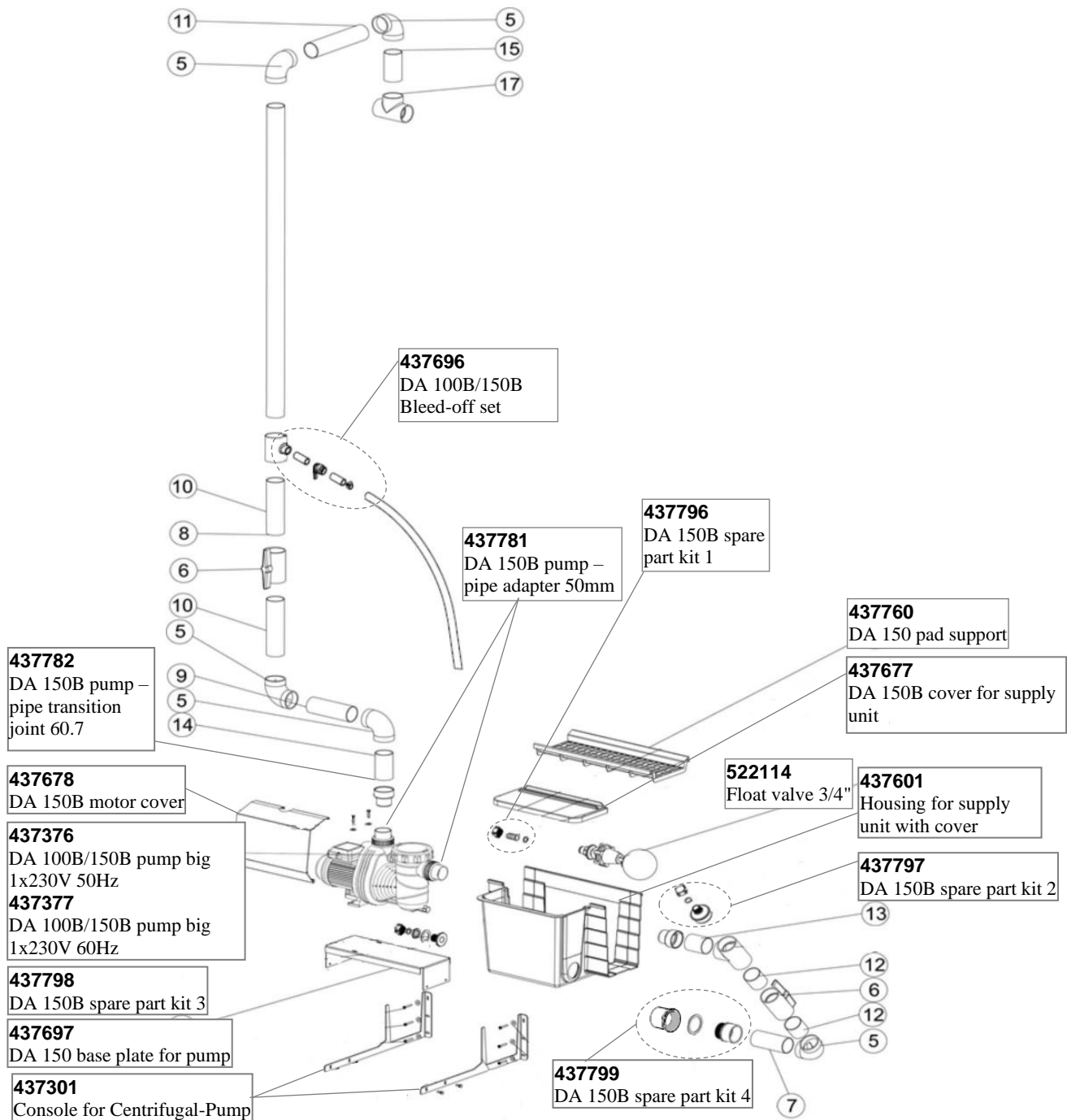
437584 DA 150B glue kit - max. 12m



### 6.8.2 DA 150B pad cooling Big

#### DA 150B pad cooling Big

DA 150B pad cooling Big basic contains pump, supply unit, middle element, and end kit.

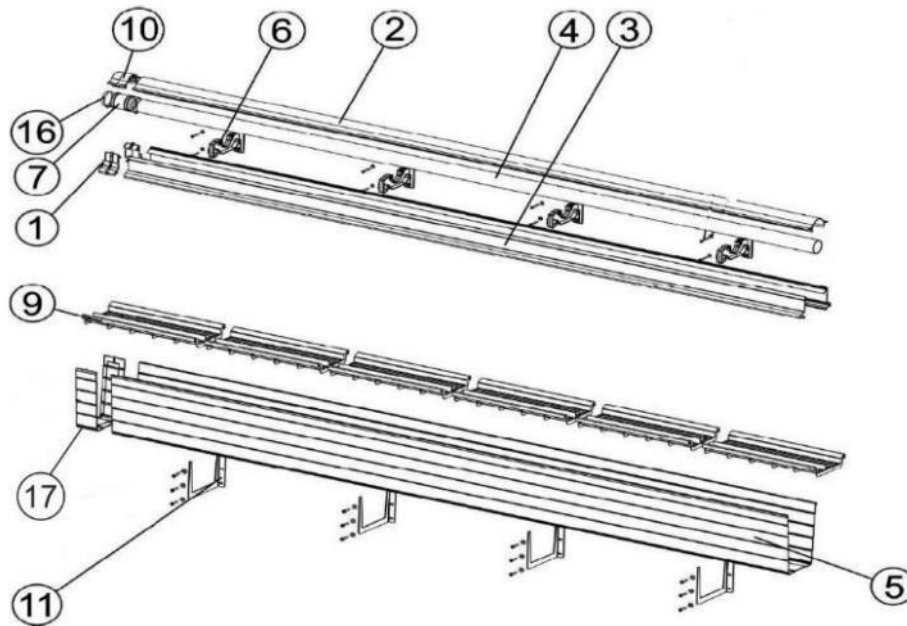


**DA 150B Big supply unit contains following parts:**

Pos. no.	Number	Item no.	Description
5	5	437762	Elbow glue coupler 2"
6	2	437761	Ball valve 2"
7-15	1	437622	PVC pipe 2 x 2500
17	2	437606	T-glue coupler 2"

## DA 150B pad cooling Big

437775 DA 150B pad cool middle/end kit 6m

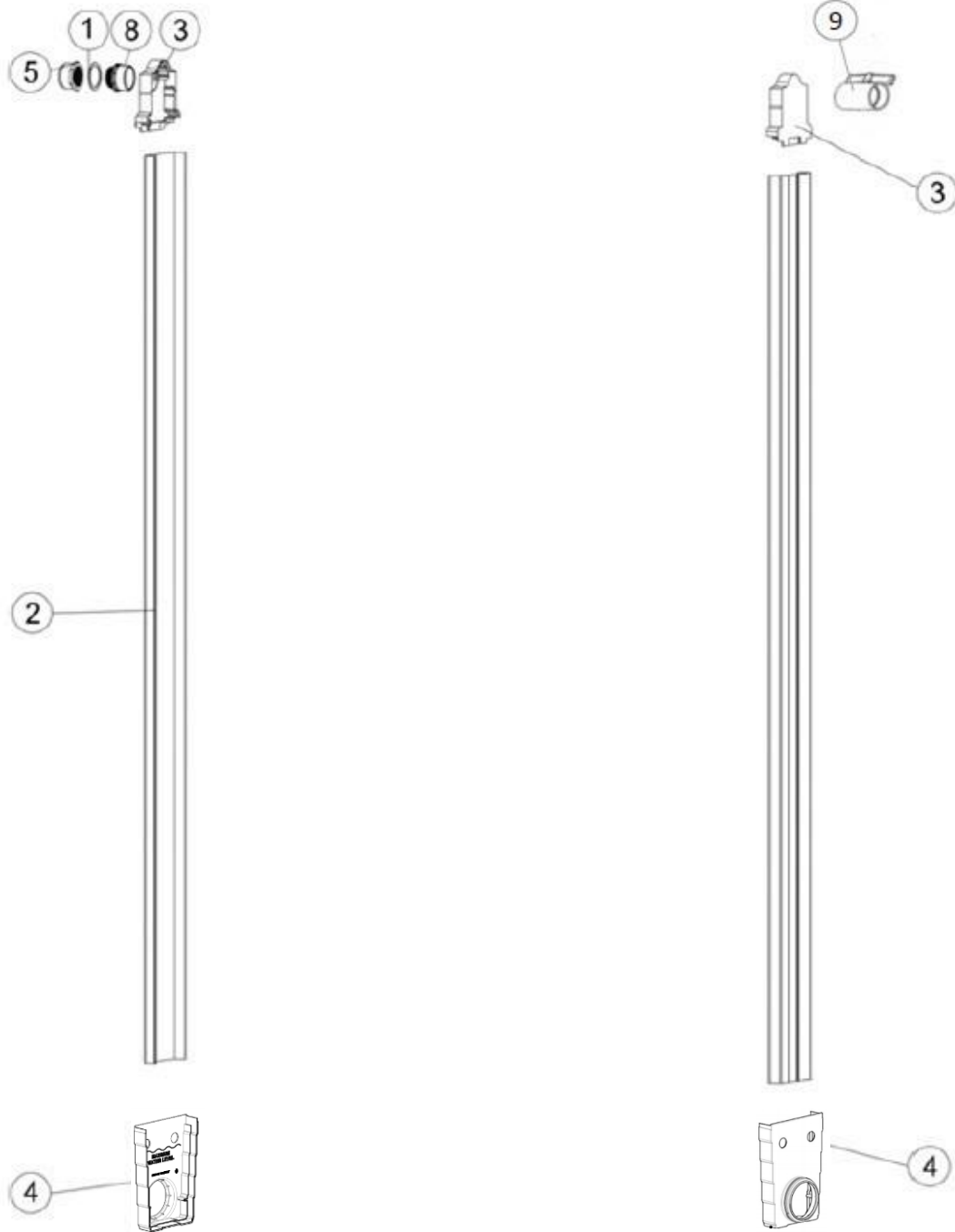


### Middle kit

Pos. no.	Number	Item no.	Description
1	4	437616	Pad guide connector complete
2	2	437610	Deflector 3000
2	2	437138	Deflector 3000mm hinged
3	4	437609	Pad guide 3000
4	2	437611	Water distribution pipe 2" 4/100-3000
5	1	437608	Water gutter 3000
6	8	437763	DA 150A top bracket
6	8	437143	Top bracket hinged 150 mm Pad
7	2	437605	Pipe connector
9	11	437760	Pad Support 6"
10	2	437618	Deflector coupler
10	2	437139	Deflector coupler hinged
11	7	437603	Ground bracket for water gutter
16	4	437604	Clamp for pipe connector 50-70 mm
17	1	437607	Connector, gutter system



## DA 150B pad cooling Big



## End kit

Pos. no.	Number	Item no.	Description
1+5+8	1	437698	DA 100B/150B kit 2" for rinse
2	2	437621	Pad end cover 6"/150 mm
3		437623	End piece for 6"
3		437140	End cover deflector 6" hinged
4	2	437619	End cover for water gutter
9	1	437761	Ball valve 2"

### DA 150B pad cooling Big



**437376 DA 100B/150B pump big 1x230V 50Hz**

Spare part for:

437869 DA 150B pad cool supply big 1x230V 50Hz

437837 DA 150B pad cool basic big 6m 1x230V50Hz



**437377 DA 100B/150B pump big 1x230V 60Hz**

Spare part for:

437888 DA 150B pad cool supply big 1x230V 60Hz

437839 DA 150B pad cool basic big 6m 1x230V60Hz



**437381 DA 100B/150B pump big 3x230/400V 50Hz**

Spare part for:

437850 DA 150B pad cool basic big 6m 3phase 50Hz

437860 DA 150B pad cool supp big 3x230/400V50Hz



**437382 DA 100B/150B pump big 3x230/400V 60Hz**

Spare part for:

437855 DA 150B pad cool basic big 6m 3phase 60Hz

437900 DA 150B pad cool supp big 3x230/400V60Hz



**439427 Mechanical seal for pump**



**437947 DA 100B/150B check valve kit**



**437928 DA 100B/150B pump - reconstruction set**

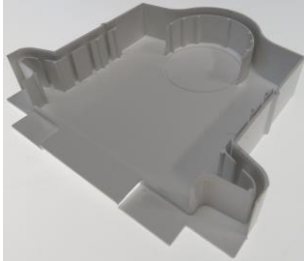


**437781 DA 150B pump - pipe adapter 50mm**

### DA 150B pad cooling Big



437782 DA 150B pump –pipe transition joint 60,7



437623 End piece for 6"



437140 End cover deflector 6" hinged



437269 Pad 150x600x1500 45/15 S

437270 Pad 150x600x1800 45/15 S

437271 Pad 150x600x2000 45/15 S

437269F Pad 150x600x1500 45/15 S

SKOV standard pad.



437256F Pad 150x600x1200 45/15 H

437251F Pad 150x600x1800 45/15 H

437250F Pad 150x600x2000 45/15 H



437290 Pad 150x600x1500 45/15 G

437291 Pad 150x600x1800 45/15 G

437292 Pad 150x600x2000 45/15 G

### DA 150B pad cooling Big



- 437287 Pad 150x600x1500 45/15 black coated S
- 437288 Pad 150x600x1800 45/15 black coated S
- 437289 Pad 150x600x2000 45/15 black coated S
- 437288F Pad 150x600x1800 45/15 black coated S
- 437289F Pad 150x600x2000 45/15 black coated S



- 437284 Pad 150x600x1500 45/15 black coated
- 437285 Pad 150x600x1800 45/15 black coated
- 437286 Pad 150x600x2000 45/15 black coated



- 437279 Pad 150x600x2000 45/45 S



- 437261 Pad 150x600x1800 with light reduction
- 437262 Pad 150x600x1500 with light reduction



- 437274 Pad PP150-3 150x600x1500
- 437275 Pad PP150-3 150x600x1800
- 437276 Pad PP150-3 150x600x2000



- 437584 DA 150B glue kit - max. 12m

## 6.9 DA 150A pad cooling

### DA 150A pad cooling



437371 DA 100B/150B pump 230V 50Hz

437370 DA 100B/150B pump 230V 60Hz



439427 Mechanical seal for pump

Spare part for all DA 150B pumps.



437928 DA 100B/150B pump - reconstruction set



437269 Pad 150x600x1500 45/15 S

437270 Pad 150x600x1800 45/15 S

437271 Pad 150x600x2000 45/15 S

437269F Pad 150x600x1500 45/15 S

SKOV standard pad.



437256F Pad 150x600x1200 45/15 H

437251F Pad 150x600x1800 45/15 H

437250F Pad 150x600x2000 45/15 H



437287 Pad 150x600x1500 45/15 black coated S

437288 Pad 150x600x1800 45/15 black coated S

437289 Pad 150x600x2000 45/15 black coated S

437288F Pad 150x600x1800 45/15 black coated S

437289F Pad 150x600x2000 45/15 black coated S



437284 Pad 150x600x1500 45/15 black coated

437285 Pad 150x600x1800 45/15 black coated

437286 Pad 150x600x2000 45/15 black coated

### DA 150A pad cooling



437279 Pad 150x600x2000 45/45 S

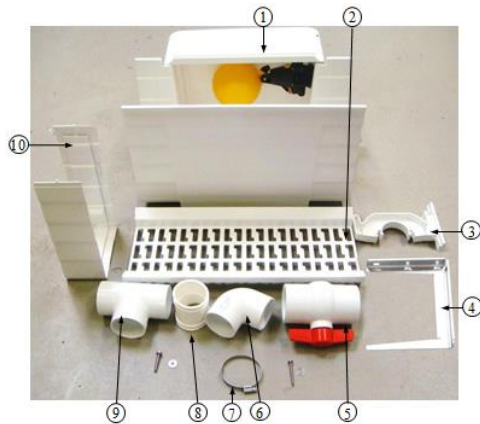


437262 Pad 150x600x1500 with light reduction

437261 Pad 150x600x1800 with light reduction



437584 DA 150A glue kit - max. 12m 12 m



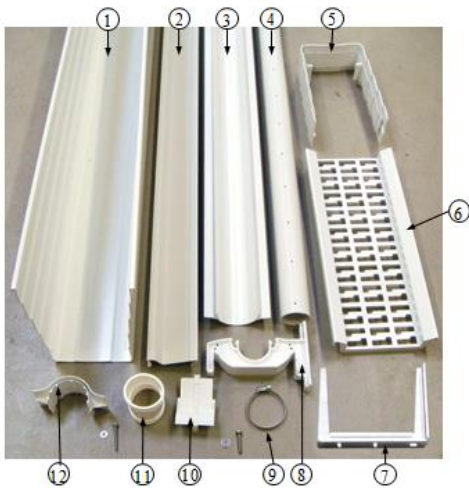
\*437582 DA 150A supply unit

The DA 150A supply unit includes following parts:

Pos. no.	Item no.	Description
1	437601	Supply unit pre-assembled
2	437760	Pad support 150/500
3	437763	DA 150A top bracket
4	437603	Bracket for water gutter
5	437761	Ball valve 2"
6	437762	Glue elbow 2"
7	437604	Clamp for pipe connector 50 – 70mm
8	437605	Pipe connector
9	437606	T-piece 2"
10	437607	Joint for water gutter



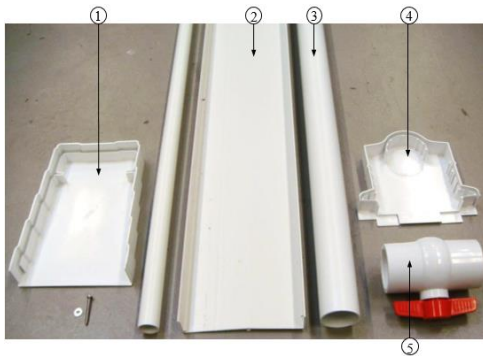
### DA 150A pad cooling



#### \*437581 DA 150A Pad cooling – next

The DA 150A pad cooling – next includes following parts:

Pos. nr.	Varenr.	Varebetegnelse
1	437608	Water gutter 3000
2	437609	Pad guide 3000
3	437610	Deflector 3000
4	437611	Water distribution pipe 2" 4/100 3000
5	437607	Joint for water gutter
6	437760	Pad support 150/500
7	437603	Bracket for water gutter
8	437763	DA 150A top bracket
9	437604	Clamp for pipe connector 50 – 70 mm
10	437616	Pad guide connector complete
11	437605	Pipe connector
12	437618	Deflector coupler



#### \*437580 DA 150A Pad cooling – start

The DA 150A pad cooling – start includes following parts:

Pos. nr.	Varenr.	Varebetegnelse
1	437619	End cover water gutter
2	437621	Pad end cover 6"/150 mm
3	437622	PVC pipe 2" x 2500
4	437623	End cover for 6"
5	437761	Ball valve 2"

\*The product is phased out



## 6.10 DA 100/DA 150 pad cooling

### DA 100/DA 150 pad cooling



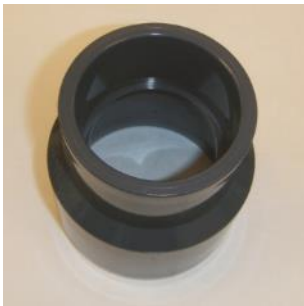
437370 DA 100B/150B pump 1x230V 60Hz

437371 DA 100B/150B pump 1x230V 50Hz



439427 Mechanical seal for pump

Spare part for DA 100B/150B.



522306 Reducing sleeve



522114 Float valve



140420 PVC ball valve 63 mm



522186 PVC angle 90° 50mm



522061 PVC ball valve 25mm F/F

### DA 100/DA 150 pad cooling



522667 Coupler for top profile PVC



522661 Bracket for top profile



522662 Retainer PVC 100 for pad



526121 Retainer for pad PVC 150



530171 PVC- Lim. Pevicol, 125g



437266 Pad 100x600x1500 45/15 S

437267 Pad 100x600x1800 45/15 S

437268 Pad 100x600x2000 45/15 S

437266F Pad 100x600x1500 45/15 S

437267F Pad 100x600x1800 45/15 S

437268F Pad 100x600x2000 45/15 S

SKOV standard pad.

### DA 100/DA 150 pad cooling



- 437263 Pad 100x600x1000 green stripe 45/15
- 437325 Pad 100x600x1800 green stripe 45/15
- 437326 Pad 100x600x2000 green stripe 45/15



- 437281 Pad 100x600x1500 45/15 black coated
- 437282 Pad 100x600x1800 45/15 black coated
- 437283 Pad 100x600x2000 45/15 black coated



- 437269 Pad 150x600x1500 45/15 S
  - 437270 Pad 150x600x1800 45/15 S
  - 437271 Pad 150x600x2000 45/15 S
  - 437269F Pad 150x600x1500 45/15 S
- SKOV standard pad.



- 437256F Pad 150x600x1200 45/15 H
- 437251F Pad 150x600x1800 45/15 H
- 437250F Pad 150x600x2000 45/15 H



- 437287 Pad 150x600x1500 45/15 black coated S
- 437288 Pad 150x600x1800 45/15 black coated S
- 437289 Pad 150x600x2000 45/15 black coated S
- 437288F Pad 150x600x1800 45/15 black coated S
- 437289F Pad 150x600x2000 45/15 black coated S



- 437284 Pad 150x600x1500 45/15 black coated
- 437285 Pad 150x600x1800 45/15 black coated
- 437286 Pad 150x600x2000 45/15 black coated

**DA 100/DA 150 pad cooling**

437279 Pad 150x600x2000 45/45 S



437262 Pad 150x600x1500 with light reduction

437261 Pad 150x600x1800 with light reduction



437584 DA 150B glue kit - max. 12m

## 7 Heating

### DA 4200 room heating



- 439373 DA 4200 heating unit 15-70 450 DN 25
- 439374 DA 4200 heating unit 15-70 720 DN 25
- 439370 DA 4200 heating unit 15-70 1120 DN 25
- 439371 DA 4200 heating unit 15-70 1800 DN 25
- 439372 DA 4200 heating unit 15-70 2800 DN 25
- 439369 DA 4200 heating unit 25-125 4500 DN 32

### Room heating



- \*439719 Room heating unit 0-10V UPMXL 25-125 3-way
- \*439700 Room heating unit on/off UPS 15-40
- \*439720 Room heating unit on/off UPM3 15-70 670
- \*439721 Room heating unit 0-10V UPM3 15-70 280
- \*439722 Room heating unit 0-10V UPM3 15-70 450
- \*439723 Room heating unit 0-10V UPM3 15-70 720
- \*439724 Room heating unit 0-10V UPM3 15-70 1120
- \*439725 Room heating unit 0-10V UPM3 15-70 1800
- \*439726 Room heating unit 0-10V UPM3 15-70 2800
- \*439728 Room heating unit 0-10V UPMXL 25-125 4000
- \*439727 Room heating unit 0-10V UPMXL 25-125 4500
- \*439716 Room heat. unit 0-10 V 25-100 Magna1 7200
- \*439750 Room heat. unit 0-10 V 15-40 R2015 280
- \*439760 Room heat. unit 0-10 V 15-40 R2015 450
- \*439770 Room heat. unit 0-10 V 15-40 R2015 720
- \*439780 Room heat. unit 0-10V 15-40 R2015 1120
- \*439790 Room heat. unit 0-10V 15-40 R2020 1800
- \*439800 Room heat. unit 0-10V 15-60 R2015 1120
- \*439819 Room heat. unit 0-10V 15-60 R2020 1800
- \*439820 Room heat. unit 0-10V 15-60 R2020 2800
- \*439850 Room heat. unit 0-10V 25-80 R2025 4500
- \*439851 Room heat. unit 0-10V 25-80 R2025 7200

\*The product is phased out

## 7 Heating

---

### DA 4200 floor heating



- 439378 DA 4200 floor heating unit 15-70 DN 25
- 439377 DA 4200 floor heating unit 25-125 DN 32

### DA 4100 floor heating



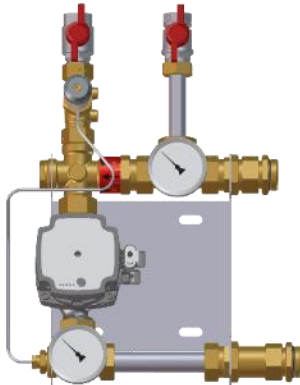
- 439334 DA 4100 floor heating unit 0-10 V
- 439335 Floor heating u. base module UPM3 15-70

---

\*The product is phased out

## 7 Heating

### Floor heating



\*439323 Floor heat. unit basic module UPM3 15-70

\*439729 Floor heat. unit 0-10V motor UPM3 15-70

\*439882 Floor heat. unit basic module UPS 15-6

### Control valve – two-way



\*439601 Control valve 1/2" two-way 280 24 V

\*439602 Control valve 1/2" two-way 450 24 V

\*439603 Control valve 1/2" two-way 720 24 V

\*439604 Control valve 1/2" two-way 1120 24 V

\*439605 Control valve 3/4" two-way 1800 24 V

\*439606 Control valve 3/4" two-way 2800 24 V

\*439607 Control valve 1" two-way 4500 24 V

\*439608 Control valve 1" two-way 7200 24 V

\*439701 Control valve 1/2" two-way R2015 280

\*439702 Control valve 1/2" two-way R2015 450

\*439703 Control valve 1/2" two-way R2015 720

\*439704 Control valve 1/2" two-way R2015 1120

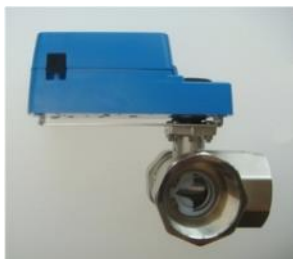
\*439705 Control valve 3/4" two-way R2020 1800

\*439706 Control valve 3/4" two-way R2020 2800

\*439707 Control valve 1" two-way R2025 4500

\*439708 Control valve 1" two-way R2025 7200

### Control valve – three-way



**439609 Control valve 1 1/4" three-way 7200 24 V**

**439610 Control valve 2" three-way 11200 24 V**

\*439709 Control valve 1 1/4" three-way R2025 7200

\*439710 Control valve 2" three-way R3050 11200

\*The product is phased out



## 7 Heating

### Solenoid valve



437220 Solenoid valve 1/2" two-way

### Blow heater IBH



\*410182 Blow heater IBH 100kW NG 240V 50Hz

\*410185 Blow heater IBH 100kW NG 240V 60Hz

\*410186 Blow heater IBH 100kW LPG 240V 50Hz

\*410187 Blow heater IBH 100kW LPG 240V 60Hz

\*410201 Blow heater IBH 100kW LPG 240V 50Hz  
AUS

**410188 Blow heater IBH 100kW Diesel 240V 50Hz**

**410189 Blow heater IBH 100kW Diesel 240V 60Hz**

\*410190 Blow heater IBH 50kW NG 240V 50Hz

\*410191 Blow heater IBH 50kW NG 240V 60Hz

\*410192 Blow heater IBH 50kW LPG 240V 50Hz

\*410193 Blow heater IBH 50kW LPG 240V 60Hz

\*410194 Blow heater IBH 50kW Diesel 240V 50/60Hz

### Blow heater IBH-2



410202 Blow heater IBH-2 100kW LPG 240V 50Hz

410203 Blow heat. IBH-2 100kW LPG 240V 50Hz  
AUS

410204 Blow heater IBH-2 100kW NG 240V 50Hz

### Blow heater GP-BCU



\*410138 Blow heater GP 14 kW, natural gas, 230V

\*410139 Blowheater GP 14 kW, LPG, 230V

**\*\*410130 Blowheater GP 40 kW, natural gas, 230V**

\*410131 Blow heater GP 40 kW, LPG, 230V

\*410162 Blow heater GP 40 kW, LPG, 230V 60Hz

**\*\*410132 Blow heater GP 70 kW, LPG, 230V, 50 Hz**

**\*\*410133 Blow heater GP 70 kW, natural gas, 230V**

\*410134 Blow heater GP 95 kW, LPG, 230V

\*410135 Blow heater GP 95 kW, natural gas, 230V

\*The product is phased out

\*\*The product is being phased out.

## 7 Heating

### Blow heater GP-ACU



- \*410170 Blow heater GP 14kW ACU LPG 230V 50Hz
- \*410171 Blow heater GP 40kW ACU NG 230V 50Hz
- 410172 Blow heater GP 40kW ACU LPG 230V 50Hz**
- 410173 Blow heater GP 40kW ACU LPG 230V 60Hz**
- 410174 Blow heater GP 70kW ACU NG 230V 50Hz**
- 410175 Blow heater GP 70kW ACU LPG 230V 50Hz**
- 410176 Blow heater GP 70kW ACU LPG 230V 60Hz**
- 410177 Blow heater GP 95kW ACU LPG 230V 50Hz**

### Oil-fired heaters



- 410126 Oil-fired heater P 40kW 230V AC 50Hz.**
- \*410122 Oil-fired heater P 40kW 230V AC 60Hz
- \*410129 Oil-fired heater P 60kW 230V AC 50Hz
- 410123 Oil-fired heater P 60kW 230V AC 60Hz**
- \*410127 Oil-fired heater P 80kW 230V AC 50Hz
- \*410124 Oil-fired heater P 80kW 230V AC 60Hz
- \*410128 Oil-fired heater P 100kW 230V AC 50Hz
- \*410125 Oil-fired heater P 100kW 230V AC 60Hz

### Heat recovery unit



- \*439010 Heat recovery unit 3x400V 50Hz
- \*439013 Heat recovery unit 1 x 230V 50/60 Hz
- 439020 Heat exchanger Var. 230V 50/60 Hz

### Accessories and mounting parts



\*The product is phased out

## 7.1 DA 4200 room heating

### DA 4200 room heating



**439698 DA 4200 pump 25-125 DN32 230V**



**439699 DA 4200 pump 15-70 DN25 230V**



**140399 DOL 12-100C temperature sensor**

Spare part for:

439369 DA 4200 heating unit 25-125 4500 DN 32

439370 DA 4200 heating unit 15-70 1120 DN 25

439371 DA 4200 heating unit 15-70 1120 DN 25

439372 DA 4200 heating unit 15-70 2800 DN 25

439373 DA 4200 heating unit 15-70 450 DN 25

439374 DA 4200 heating unit 15-70 720 DN 25



**343097 Plastic adapter for heating unit**

Spare part for:

439369 DA 4200 heating unit 25-125 4500 DN 32

439370 DA 4200 heating unit 15-70 1120 DN 25

439371 DA 4200 heating unit 15-70 1120 DN 25

439372 DA 4200 heating unit 15-70 2800 DN 25

439373 DA 4200 heating unit 15-70 450 DN 25

439374 DA 4200 heating unit 15-70 720 DN 25



**432164 Actuator for room heating, three-way**

Spare part for:

439369 DA 4200 heating unit 25-125 4500 DN 32

439370 DA 4200 heating unit 15-70 1120 DN 25

439371 DA 4200 heating unit 15-70 1120 DN 25

439372 DA 4200 heating unit 15-70 2800 DN 25

439373 DA 4200 heating unit 15-70 450 DN 25

439374 DA 4200 heating unit 15-70 720 DN 25

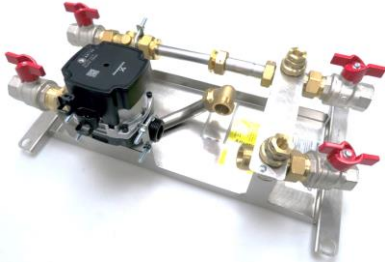
### DA 4200 room heating



#### 439328 Heating unit 25-125 DN 32

Spare part for:

439369 DA 4200 heating unit 25-125 4500 DN 32



#### 439329 Heating unit 15-70 DN 25, raw

Spare part for:

439370 DA 4200 heating unit 15-70 1120 DN 25

439371 DA 4200 heating unit 15-70 1120 DN 25

439372 DA 4200 heating unit 15-70 2800 DN 25

439373 DA 4200 heating unit 15-70 450 DN 25

439374 DA 4200 heating unit 15-70 720 DN 25



#### 510254 Control valve 1 1/4" three-way R3032-16

Spare part for:

439369 DA 4200 heating unit 25-125 4500 DN 32



#### 510265 Control valve 1/2" 3 way R3015-2P5-S1

Spare part for:

439370 DA 4200 heating unit 15-70 1120 DN 25



#### 510266 Control valve 3/4" 3 way R3020-4-S2

Spare part for:

439371 DA 4200 heating unit 15-70 1120 DN 25



#### 510267 Control valve 3/4" 3 way R3020-6P3-S2

Spare part for:

439372 DA 4200 heating unit 15-70 2800 DN 25

### DA 4200 room heating



#### 510268 Control valve 1/2" 3 way R3015-1-S1

Spare part for:

439373 DA 4200 heating unit 15-70 450 DN 25



#### 510269 Control valve 1/2" 3 way R3015-1P6-S1

Spare part for:

439374 DA 4200 heating unit 15-70 720 DN 25



#### 522346 DA 4200 cover for heating unit

Spare part for:

439369 DA 4200 heating unit 25-125 4500 DN 32

439370 DA 4200 heating unit 15-70 1120 DN 25

439371 DA 4200 heating unit 15-70 1120 DN 25

439372 DA 4200 heating unit 15-70 2800 DN 25

439373 DA 4200 heating unit 15-70 450 DN 25

439374 DA 4200 heating unit 15-70 720 DN 25



#### 345430 Bushing sleeve $\varnothing 11/\varnothing 15/\varnothing 19 \times 1.5$

Spare part for:

439369 DA 4200 heating unit 25-125 4500 DN 32

439370 DA 4200 heating unit 15-70 1120 DN 25

439371 DA 4200 heating unit 15-70 1120 DN 25

439372 DA 4200 heating unit 15-70 2800 DN 25

439373 DA 4200 heating unit 15-70 450 DN 25

439374 DA 4200 heating unit 15-70 720 DN 25



#### 570318 Seal 1" Danfoss-Redan

Spare part for:

439370 DA 4200 heating unit 15-70 1120 DN 25

439371 DA 4200 heating unit 15-70 1120 DN 25

439372 DA 4200 heating unit 15-70 2800 DN 25

439373 DA 4200 heating unit 15-70 450 DN 25

439374 DA 4200 heating unit 15-70 720 DN 25



#### 570937 Nipple 1/2 x 1 union nut O-ring L 35.5mm

Spare part for:

439370 DA 4200 heating unit 15-70 1120 DN 25

439373 DA 4200 heating unit 15-70 450 DN 25

439373 DA 4200 heating unit 15-70 450 DN 25

439374 DA 4200 heating unit 15-70 720 DN 25



### DA 4200 room heating



**570938 Nipple 3/4 x 1 union nut O-ring L30.5mm**

Spare part for:

439371 DA 4200 heating unit 15-70 1120 DN 25

439372 DA 4200 heating unit 15-70 2800 DN 25



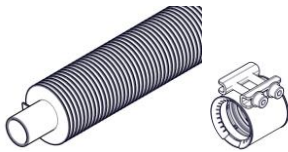
**439411 Spiraflex 1" 1.12 m G w/pipe coupling**



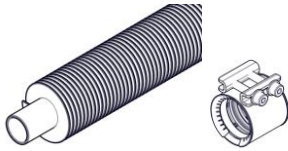
**439412 Spiraflex 1" 2.8 m G w/pipe coupling**



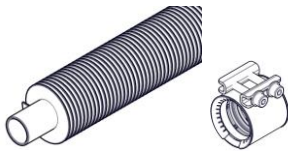
**439413 Spiraflex 1" 5.6 m G w/pipe coupling**



**439414 Spiraflex 1½" 1.12 m G w/pipe coupling**



**439415 Spiraflex 1½" 2.8 m G w/pipe coupling**



**439416 Spiraflex 1½" 5.6 m G w/pipe coupling**

## 7.2 Room heating

### Room heating



**570338 Control valve 1/2" two-way R2015-1P6-S1**

Spare part for:

439723 Room heating unit 0-10V UPM3 15-70 720

439603 Control valve 1/2" two-way 720 24 V

439770 Room heating unit 0-10 V 15-40 R2015 720



**570344 Control valve 1/2" two-way R2015-2P5-S1**

Spare part for:

439724 Room heating unit 0-10V UPM3 15-70 1120

439604 Control valve 1/2" two-way 1120 24 V

439780 Room heating unit 0-10 V 15-40 R212 1200

439800 Room heating unit 0-10 V 15-40 R212 1200



**570842 Control valve 1/2" two-way R2015-1-S1**

Spare part for:

439722 Room heating unit 0-10V UPM3 15-70 450

439602 Control valve 1/2" two-way 450 24 V

439760 Room heat.unit 0-10 V 15-40 R2015 450



**570843 Control valve 3/4" two-way R2020-4-S2**

Spare part for:

439725 Room heating unit 0-10V UPM3 15-70 1800

439605 Control valve 3/4" two-way 1800 24 V

439790 Room heating unit 0-10V 15-40 R2020 1800

439819 Room heating unit 0-10V 15-60 R2020 1800



**570367 Control valve 1" two-way R2025-10-S2**

Spare part for:

439607 Control valve 1" two-way 4500 24 V

439858 Room heat unit 25-80R2025-10 ex back plate

439850 Room heating unit 0-10V 25-80 R2025 4500

439727 Room heat. unit 0-10V UPMXL 25-125



**570809 Control valve 1/2" two-way R2015-P63-S1**

Spare part for:

439601 Control valve 1/2" two-way 280 24 V

439721 Room heating unit 0-10V UPM3 15-70 280

439750 Room heating unit 0-10 V 15-40 R2015 280



### Room heating



#### 570374 Control valve 1" two-way R2025-16-S2

Spare part for:

- 439728 Room heating unit 0-10V UPMXL 25-125 4000
- 439716 Room heat.unit 0-10 V 25-100 Magna
- 439851 Room heating unit 0-10V 25-80 R202



#### 570363 Control valve 3/4" two-way R2020-6P3-S2

Spare part for:

- 439726 Room heating unit 0-10V UPM3 15-70 2800
- 439820 Room h unit 0-10V 15-60 R2020 2800



#### 439818 UPM3 15-70 130 230V 50Hz

Spare part for:

- 439720 Room heating unit on/off UPM3 15-70 670
- 439721 Room heating unit 0-10V UPM3 15-70 280
- 439722 Room heating unit 0-10V UPM3 15-70 450
- 439723 Room heating unit 0-10V UPM3 15-70 720
- 439724 Room heating unit 0-10V UPM3 15-70 1120
- 439725 Room heating unit 0-10V UPM3 15-70 1800
- 439726 Room heating unit 0-10V UPM3 15-70 2800
- 439770 Room heating unit 0-10 V 15-40 R2015 720
- 439780 Room heating unit 0-10V 15-40 R2015 1120
- 439790 Room heating unit 0-10V 15-40 R2020 1800
- 439800 Room heating unit 0-10V 15-60 R2015 1120
- 439820 Room heating unit 0-10V 15-60 R2020 2800
- 439830 Room heating unit 0-10 V 15-60 R223 4800



#### 439854 UPM3 pump, cable with plug



#### 439776 UPM3 25-125 130 230V 50Hz

Spare part for:

- 439850 Room heating unit 0-10V 25-80 R2025 4500
- 439851 Room heating unit 0-10V 25-80 R2025 7200

### Room heating



#### 439775 UPMXL 25-125 180 230V 50Hz

Spare part for:

- 439719 Room heat. unit 0-10V UPMXL 25-125 3-way
- 439728 Room heating unit 0-10V UPMXL 25-125 4000
- 439727 Room heat. unit 0-10V UPMXL 25-125 4500
- 439716 Room heat. unit 0-10 V 25-100 Magna1 7200



#### 570208 Nipple 1/2 x 1 coupling O-ring L 31.0mm

Spare part for:

- 439770 Room heating unit 0-10 V 15-40 R2015 720
- 439780 Room heating unit 0-10V 15-40 R2015 1120
- 439800 Room heating unit 0-10V 15-60 R2015 1120
- 439750 Room heating unit 0-10 V 15-40 R2015 280
- 439760 Room heating unit 0-10 V 15-40 R2015 450



#### 570687 Nipple 1 x 1 coupling O-ring L 31.0mm

Spare part for:

- 439850 Room heating unit 0-10V 25-80 R2025 4500



#### 570210 Nipple 3/4 x 1 coupling O-ring L 25.5mm

Spare part for:

- 439790 Room heating unit 0-10V 15-40 R2020 1800



#### 570209 Nipple 1/2 x 1 coupling O-ring L 40.0mm

Spare part for:

- 439700 Room heating unit on/off UPS 15-40



#### 439711 Mounting set for control valve



#### 343097 Plastic adaptor for heating unit

### Room heating

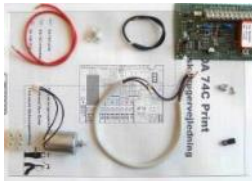


#### 432164 Actuator for room heating, three-way

Spare part for:

439609 Control valve 1¼" three-way 7200 24 V

439610 Control valve 2" three-way 11200 24 V



#### 432976 DA 74C motor incl. circuit board

Spare part for:

432164 Actuator for room heating, three-way



#### 437222 Actuator DMS2.2S w/switch 8 Nm 230 V

Spare part for all control valves 230 V.



#### 432948 Motor print DMS2.2S

Spare part for:

437222 Actuator DMS2.2S w/switch 8 Nm 230 V



#### 439948 Coil 230V 12W

Spare part for room heating units.



#### 439933 Magn.vent. EV210B 10B G

Spare part for room heating units.



#### 570366 Thermometer for unit of 2009

Spare part for room heating units.

**Room heating**

**439992 Ball valve 1" - coupling/sleeve room un. Unit**  
Spare part for room heating units.



**570318 Seal 1 Danfoss-Redan**  
Spare part for all pumps.



**439993 Ball valve 1" - nipple/sleeve room un. Unit**  
Spare part for room heating units – return valve.



**510175 Dirt trap 1/2"**  
Spare part for room heating units.



**439741 Tee DN25, NNO room heating unit**  
Spare part for room heating units.



**439696 Tee DN25, NON room heating unit**  
Spare part for room heating units.

### Room heating



**439742 Housing f. non-return valve room heat. U**  
Spare part for room heating units.



**439743 Thermometer pocket, room heat. unit**  
Spare part for room heating units.

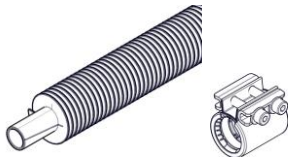
**570930 Pipe Ø22 B0K1 straight**



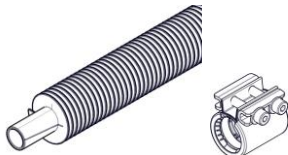
**439744 Non-return valve room heating unit**  
Spare part for room heating units.

**439755 Non-return valve 3-way heating shunt**  
Spare part for:

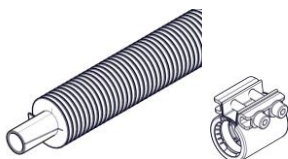
439719 Room heat. unit 0-10V UPMXL 25-125 3-way



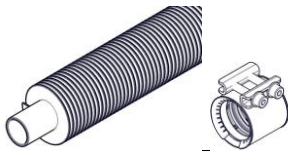
**439411 Spiraflex 1" 1.12 m G w/pipe coupling**



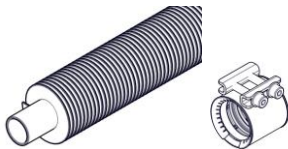
**439412 Spiraflex 1" 2.8 m G w/pipe coupling**



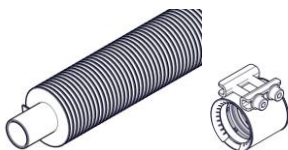
**439413 Spiraflex 1" 5.6 m G w/pipe coupling**



**439414 Spiraflex 1 1/2" 1.12 m G w/pipe coupling**



**439415 Spiraflex 1 1/2" 2.8 m G w/pipe coupling**



**439416 Spiraflex 1 1/2" 5.6 m G w/pipe coupling**



## 7.3 DA 4200 floor heating

### DA 4200 floor heating



- 439561 DA 4200 floor heating manifold kit 1+1
- 439562 DA 4200 floor heating manifold kit 2+2
- 439563 DA 4200 floor heating manifold kit 3+3
- 439564 DA 4200 floor heating manifold kit 4+4
- 439565 DA 4200 floor heating manifold kit 5+5
- 439566 DA 4200 floor heating manifold kit 6+6
- 439567 DA 4200 floor heating manifold kit 7+7
- 439568 DA 4200 floor heating manifold kit 8+8
- 439569 DA 4200 floor heating manifold kit 9+9
- 439570 DA 4200 floor heating manifold kit 10+10



#### 502194 DA 4200 bracket for manifold kit, 2 pcs

Spare part for:

- 439562 DA 4200 floor heating manifold kit 2+2
- 439563 DA 4200 floor heating manifold kit 3+3
- 439564 DA 4200 floor heating manifold kit 4+4
- 439565 DA 4200 floor heating manifold kit 5+5
- 439566 DA 4200 floor heating manifold kit 6+6
- 439567 DA 4200 floor heating manifold kit 7+7
- 439568 DA 4200 floor heating manifold kit 8+8
- 439569 DA 4200 floor heating manifold kit 9+9
- 439570 DA 4200 floor heating manifold kit 10+10



#### 140399 DOL 12-100C temperature sensor

Spare part for:

- 439378 DA 4200 floor heating unit 15-70 DN 25
- 439377 DA 4200 floor heating unit 25-125 DN 32



#### 343097 Plastic adapter for heating unit

Spare part for:

- 439378 DA 4200 floor heating unit 15-70 DN 25
- 439377 DA 4200 floor heating unit 25-125 DN 32

### DA 4200 floor heating



#### 432164 Actuator for room heating, three-way

Spare part for:

439378 DA 4200 floor heating unit 15-70 DN 25

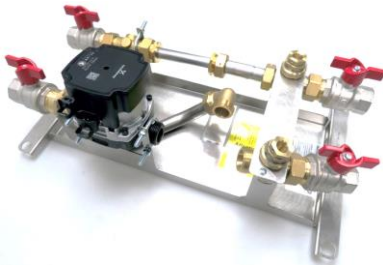
439377 DA 4200 floor heating unit 25-125 DN 32



#### 439328 Heating unit 25-125 DN 32

Spare part for:

439377 DA 4200 floor heating unit 25-125 DN 32



#### 439329 Heating unit 15-70 DN 25, raw

Spare part for:

439378 DA 4200 floor heating unit 15-70 DN 25



#### 510254 Control valve 1 1/4" three-way R3032-16

Spare part for:

439377 DA 4200 floor heating unit 25-125 DN 32



#### 510266 Control valve 3/4" 3 way R3020-4-S2

Spare part for:

439378 DA 4200 floor heating unit 15-70 DN 25



#### 522346 DA 4200 cover for heating unit

Spare part for:

439378 DA 4200 floor heating unit 15-70 DN 25

439377 DA 4200 floor heating unit 25-125 DN 32



**DA 4200 floor heating****345430 Bushing sleeve  $\varnothing 11/\varnothing 15/\varnothing 19 \times 1.5$** 

Spare part for:

439378 DA 4200 floor heating unit 15-70 DN 25

439377 DA 4200 floor heating unit 25-125 DN 32

**570318 Seal 1" Danfoss-Redan**

Spare part for:

439378 DA 4200 floor heating unit 15-70 DN 25

**570938 Nipple 3/4 x 1 union nut O-ring L30.5mm**

Spare part for:

439378 DA 4200 floor heating unit 15-70 DN 25

**439325 Adapter kit DN 32**

Spare part for:

439375 DA 4200 floor heating adapter kit DN 32

439377 DA 4200 floor heating unit 25-125 DN 32

**439327 Adapter kit DN 25**

Spare part for:

439376 DA 4200 floor heating adapter kit DN 25

439378 DA 4200 floor heating unit 15-70 DN 25

## 7.4 DA 4100 floor heating

### DA 4100 floor heating



**140200 DOL 12 temperature sensor**

**140210 DOL 12 temperature sensor, 5 m wire**

Spare part for:

439334 DA 4100 floor heating unit 0-10 V



**570003 Valve reg. 3/4" 2-way R409K male thread**

Spare part for:

439334 DA 4100 floor heating unit 0-10 V



**439818 UPM3 15-70 130 230V 50Hz**

Spare part for:

439334 DA 4100 floor heating unit 0-10 V

439335 Floor heating u. base module UPM3 15-70



**439854 UPM3/XL heat pump, cable incl. plug**

Spare part for:

439334 DA 4100 floor heating unit 0-10 V

439335 Floor heating u. base module UPM3 15-70



**439711 Mounting set for control valve**

Spare part for:

439334 DA 4100 floor heating unit 0-10 V



**343097 Plastic adapter for heating unit**

Spare part for:

439334 DA 4100 floor heating unit 0-10 V



**432164 Actuator for room heating, three-way**

Spare part for:

439334 DA 4100 floor heating unit 0-10 V

**DA 4100 floor heating****570318 Seal 1 Danfoss-Redan**

Spare part for:

439334 DA 4100 floor heating unit 0-10 V

439335 Floor heating u. base module UPM3 15-70

**439744 Non-return valve room heating unit**

Spare part for:

439334 DA 4100 floor heating unit 0-10 V

439335 Floor heating u. base module UPM3 15-70

**570239 Ball plug valve w/T-handle 3/4 Mercury m/n**

Spare part for:

439334 DA 4100 floor heating unit 0-10 V

439335 Floor heating u. base module UPM3 15-70

**439864 Seal for 3/4" ball plug valve**

Spare part for:

439334 DA 4100 floor heating unit 0-10 V

439335 Floor heating u. base module UPM3 15-70

## 7.5 Floor heating

### Floor heating



**570366** Termometer til unit á 2009



**439743** Thermometer pocket, room heat. unit  
Spare part for room heating units.



**439818** UPM3 15-70 130 230V 50Hz

Spare part for:

439323 Floor heating u. base module UPM3 15-70

439729 Floor heating unit 0-10V motor UPM3 15-7



**439854** UPM3 pump, cable with plug



**570239** Ball plug valve w/T-handle 3/4 Mercury m/n



**439863** Ball valve 3/4" incl. coupling

### Floor heating



**439864** Packing for ball plug valve 3/4"



**439995** Flasing for floor heating - start



**439996** Flashing for floor heating - next



**439865** Therm. w. ss sensor f. heating shunt



- 439400** Manifold kit 1+1
- 439410** Manifold kit 2+2
- 439420** Manifold kit 3+3
- 439430** Manifold kit 4+4
- 439300** Manifold kit 5+5
- 439310** Manifold kit 6+6
- 439440** Manifold kit 7+7
- 439290** Manifold kit 8+8
- 439320** Manifold kit 9+9
- 439450** Manifold kit 10+10



- 439510** AVTB-15 30-100°C coated
- 439520** AVTB-20 30-100°C coated
- 439530** AVTB-25 30-100°C coated
- 439550** AVTB-20 20-60°C coated
- 439560** AVTB-25 20-60°C coated

**Floor heating****439870** Sensor element 30-100°C coated**439852** Sensor element 20-60°C, coated

## 7.6 Control valve – two-way

### Control valve – two-way



#### 439711 Mounting set for control valve

Spare part for all control valves.



#### 432164 Actuator for room heating, three-way

Spare part for:

439609 Control valve 1¼" three-way 7200 24 V

439610 Control valve 2" three-way 11200 24 V



#### 437222 Actuator DMS2.2S w/switch 8 Nm 230 V

Spare part for all control valves 230 V.



#### 432948 Motor print DMS2.2S

Spare part for:

437222 Actuator DMS2.2S w/switch 8 Nm 230 V



#### 570809 Control valve ½" two-way R2015-P63-S1

Spare part for:

439601 Control valve ½" two-way 280 24 V

439701 Control valve ½" two-way R2015 280



#### 570842 Control valve ½" two-way R2015-1-S1

Spare part for:

439602 Control valve ½" two-way 450 24 V

439702 Control valve ½" two-way R2015 450



#### 570338 Control valve ½" two-way R2015-1P6-S1

Spare part for:

439603 Control valve ½" two-way 720 24 V

439703 Control valve ½" two-way R2015 720



### Control valve – two-way



#### 570344 Control valve 1/2" two-way R2015-2P5-S1

Spare part for:

439604 Control valve 1/2" two-way 1120 24 V

439704 Control valve 1/2" two-way R2015 1120



#### 570843 Control valve 3/4" two-way R2020-4-S2

Spare part for:

439605 Control valve 3/4" two-way 1800 24 V

439705 Control valve 3/4" two-way R2020 1800



#### 570363 Control valve 3/4" two-way R2020-6P3-S2

Spare part for:

439606 Control valve 3/4" two-way 2800 24 V

439706 Control valve 3/4" two-way R2020 2800



#### 570367 Control valve 1" two-way R2025-10-S2

Spare part for:

439607 Control valve 1" two-way 4500 24 V

439707 Control valve 1" two-way R2025 4500



#### 570374 Control valve 1" two-way R2025-16-S2

Spare part for:

439608 Control valve 1" two-way 7200 24 V

439708 Control valve 1" two-way R2025 7200

439851 Room heating unit 0-10V 25-80 R2025 7200



#### 510150 Non-return valve 1/2"

Spare part for:

439601 Control valve 1/2" two-way 280 24 V

439602 Control valve 1/2" two-way 450 24 V

439603 Control valve 1/2" two-way 720 24 V

439604 Control valve 1/2" two-way 1120 24 V

439701 Control valve 1/2" two-way R2015 280

439702 Control valve 1/2" two-way R2015 450

439703 Control valve 1/2" two-way R2015 720

439704 Control valve 1/2" two-way R2015 1120



#### 510110 Non-return valve 3/4"

Spare part for:

439605 Control valve 3/4" two-way 1800 24 V

439606 Control valve 3/4" two-way 2800 24 V

439705 Control valve 3/4" two-way R2020 1800

439706 Control valve 3/4" two-way R2020 2800

### Control valve – two-way



#### 510111 Non-return valve 1"

Spare part for:

- 439607 Control valve 1" two-way 4500 24 V
- 439608 Control valve 1" two-way 7200 24 V
- 439707 Control valve 1" two-way R2025 4500
- 439708 Control valve 1" two-way R2025 7200



#### 510175 Dirt trap ½"

Spare part for:

- 439601 Control valve ½" two-way 280 24 V
- 439602 Control valve ½" two-way 450 24 V
- 439603 Control valve ½" two-way 720 24 V
- 439604 Control valve ½" two-way 1120 24 V
- 439701 Control valve ½" two-way R2015 280
- 439702 Control valve ½" two-way R2015 450
- 439703 Control valve ½" two-way R2015 720
- 439704 Control valve ½" two-way R2015 1120



#### 510115 Dirt trap ¾"

Spare part for:

- 439605 Control valve ¾" two-way 1800 24 V
- 439606 Control valve ¾" two-way 2800 24 V
- 439705 Control valve ¾" two-way R2020 1800
- 439706 Control valve ¾" two-way R2020 2800



#### 510116 Dirt trap 1"

Spare part for:

- 439607 Control valve 1" two-way 4500 24 V
- 439608 Control valve 1" two-way 7200 24 V
- 439707 Control valve 1" two-way R2025 4500
- 439708 Control valve 1" two-way R2025 7200

## 7.7 Control valve – three-way

### Control valve – three-way



#### 439711 Mounting set for control valve

Spare part for all control valves.

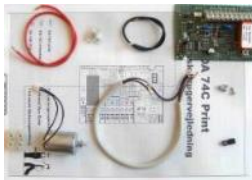


#### 432164 Actuator for room heating, three-way

Spare part for:

439609 Control valve 1¼" three-way 7200 24 V

439610 Control valve 2" three-way 11200 24 V



#### 432976 DA 74C motor incl. circuit board

Spare part for:

432164 Actuator for room heating, three-way



#### 437222 Actuator DMS2.2S w/switch 8 Nm 230 V

Spare part for all control valves 230 V.



#### 432948 Motor print DMS2.2S

Spare part for:

437222 Actuator DMS2.2S w/switch 8 Nm 230 V



#### 510254 Control valve 1 1/4" three-way R3032-16

Spare part for:

439719 Room heat. unit 0-10V UPMXL 25-125 3-way

439609 Control valve 1¼" three-way 7200 24 V

439709 Control valve 1¼" three-way R2025 7200



#### 510255 Control ball v. 2" three-way R3050-25-S4

Spare part for:

439610 Control valve 2" three-way 11200 24 V

439710 Control valve 2" three-way R3050 11200

**Control valve – three-way****510117 Dirt trap 5/4"**

Spare part for:

439609 Control valve 1¼" three-way 7200 24 V

439709 Control valve 1¼" three-way R2025 7200

**510119 Dirt trap 2"**

Spare part for:

439610 Control valve 2" three-way 11200 24 V

439710 Control valve 2" three-way R3050 11200

## 7.8 Solenoid valve

### Solenoid valve



510200 Valve housing 1/2"



510150 Non-return valve 1/2"



510175 Dirt trap 1/2"



140927 Coil for magnet valve 230V / 10W



510190 Plug for solenoid valve

## 7.9 Blow heater IBH

### IBH 100 kW NG/LPG



- 410182 Blow heater IBH 100kW NG 240V 50Hz
- 410185 Blow heater IBH 100kW NG 240V 60Hz
- 410186 Blow heater IBH 100kW LPG 240V 50Hz
- 410187 Blow heater IBH 100kW LPG 240V 60Hz
- 410201 Blow heater IBH 100kW LPG 240V 50Hz AUS

### IBH 100 kW Diesel



- 410188 Blow heater IBH 100kW Diesel 240V 50Hz
- 410189 Blow heater IBH 100kW Diesel 240V 60Hz

### IBH 50 kW NG/LPG



- 410190 Blow heater IBH 50kW NG 240V 50Hz
- 410191 Blow heater IBH 50kW NG 240V 60Hz
- 410192 Blow heater IBH 50kW LPG 240V 50Hz
- 410193 Blow heater IBH 50kW LPG 240V 60Hz

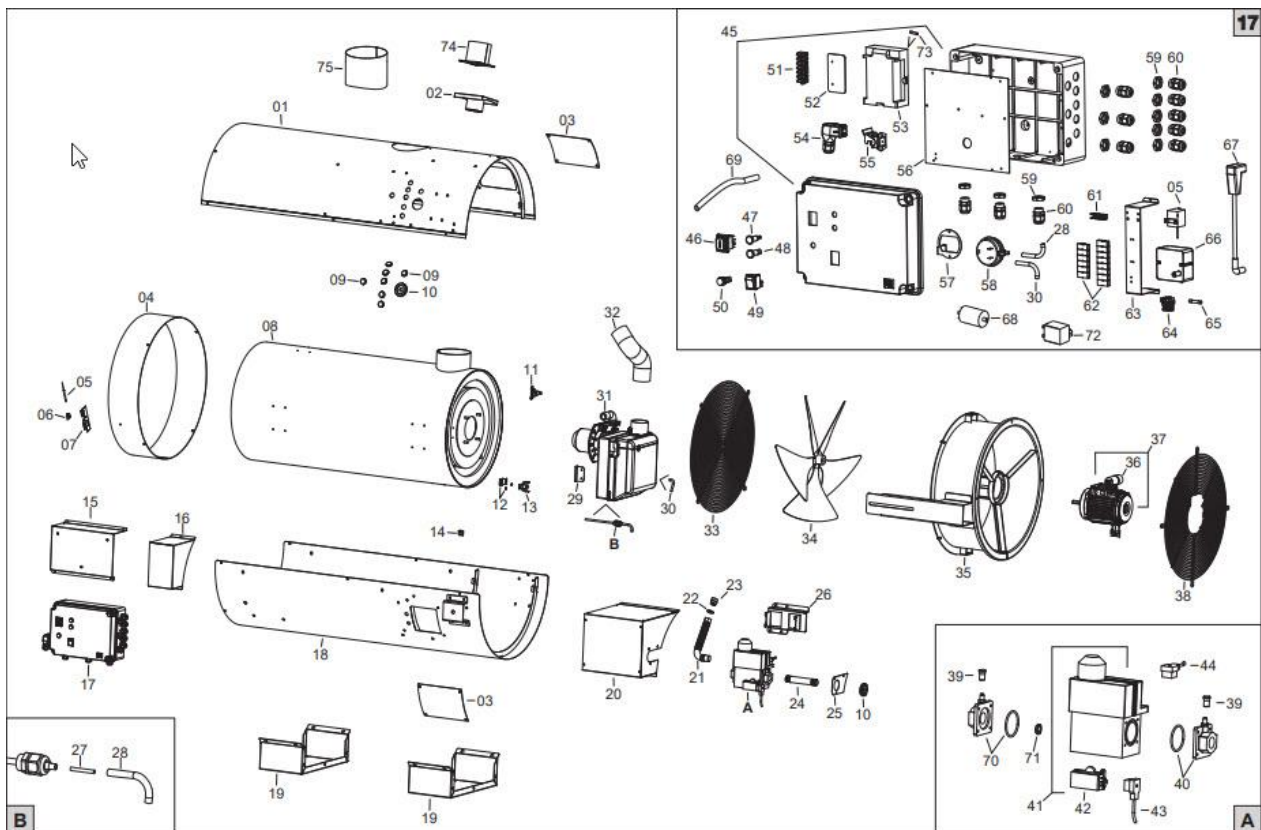
### IBH 50 kW Diesel



- 410194 Blow heater IBH 50kW Diesel 240V 50/60Hz



## 7.9.1 IBH 100 kW NG/LPG



POS.	P/N	LEGENDA	SKOV no.	DESCRIPTION
1	G03337-X	-		Upper body
2	G03429-9005	-		Support bracket
3	G03338-X	-		Inspection panel
4	G03339-9005	-		Duct adapter
5	E50767	TY95A - 105 °C	410842	Safety thermostat
6	M20413	-		Hose bracket
7	G03319	-		Stirrup
8	G03340	-		Combustion chamber
9	C30323	Ø20 mm		Cable protection
10	C30376	Ø39 mm		Cable protection
11	E50104-1	-	410827	Fan Thermostat
12	G03321	-		Stirrup
13	E50110-1	-	410841	Safety thermostat
14	M20405	-		Cable protection
15	G03341-X	-		Support bracket
16	G03342-X	-		Electric wire protection
17	G00378	-		El. control box
18	G03343-X	-		Lower body
19	G03344-9005	-		Support
20	G03345-X	-		Gas valve cover
21	I39106	L = 500 mm - 3/4" MF		Flex gas pipe
22	I39102	3/4"		Seal
23	I31208	3/4"F - 3/4"M		Fitting
24	I25024	3/4"M - 3/4"M - L=100		Iron fitting



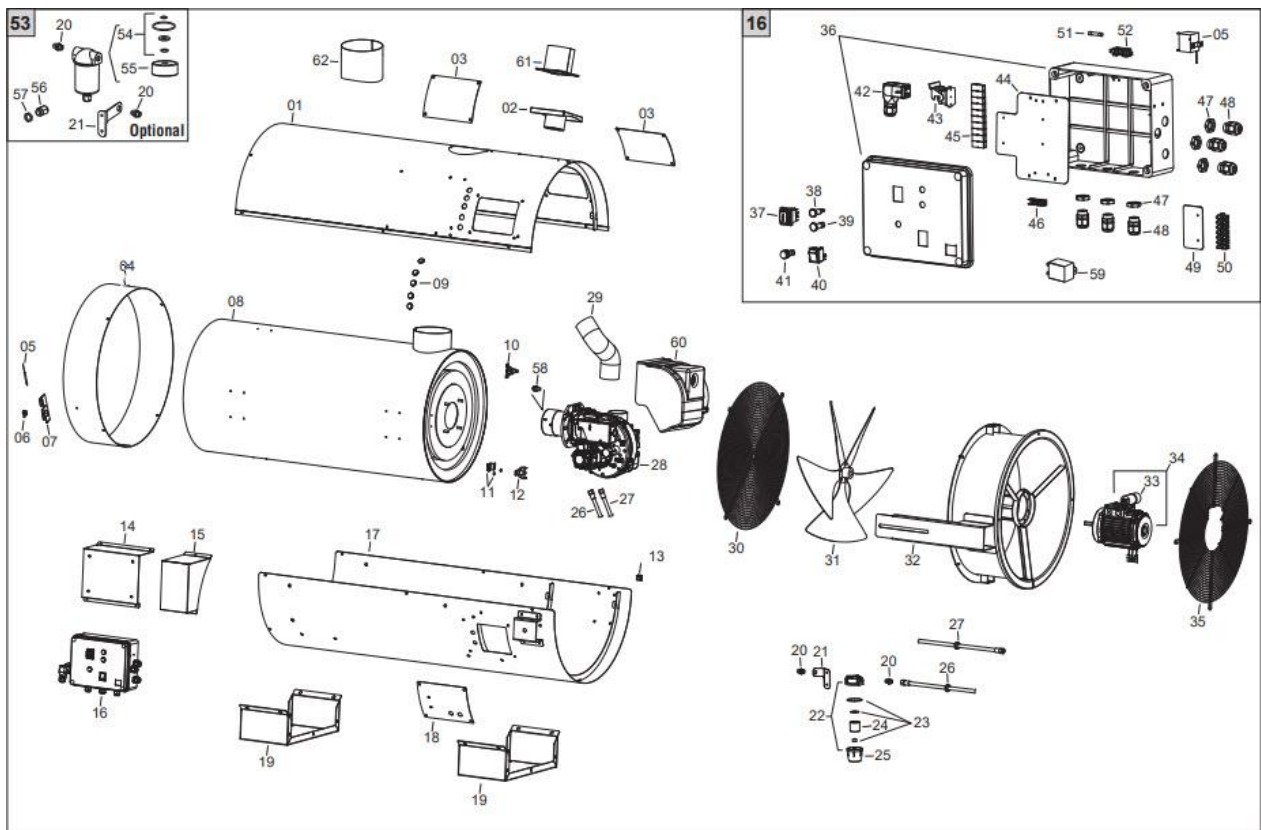
POS.	P/N	LEGENDA	SKOV no.	DESCRIPTION
25	G03346-X	-		Panel
26	G03347-X	-		Stirrup
27	I40336	Ø4x1,5 (L=1 m)		Rilsan pipe
28	I40335	Ø4x8 (L=1 m)		Silicone pipe
29	G03348	-		Stirrup
30	I40335	Ø4x8 (L=1 m)		Silicone pipe
31	074B55-10	RIELLO BS2F	410860	IBH 100 Gas burner complete
32	I40809	L = 310 mm		Duct
33	P30151	-		Inlet grill
34,1	T10266	Ø 550 - 23°	410864	Fan
34,2	T10267	Ø 550 - 17° 60 Hz		Fan 60 Hz
35	G03349-9005	-		Motor flange
36	E11244	20 µF	410862	Capacitor
37	E15015	750 W - 230 V - 50 Hz	410861	Motor
38	P30190	-		Inlet grill
39	C30378	-		Cap
40	T30109/3	3/4"F - Honeywell		Gas valve flange
41	T30109	Honeywell - VR420	410829	Gas valve unit
42	T30110	Honeywell - VR420/VR425	410830	Pressure switch
43	T20446	-		Plug valve
44	T20447	-		Plug valv
45	E20710/16	-		El. components box
46	E10102-P	I - 0 - II	410843	Switch
47	E11033	230V		Lamp
48	E11034	230V		Lamp
49	E10139	-	410840	Reset button
50	E11030	230V		Lamp
51	E20302	6 mm2 - 12 pin		Terminal board
52	G03329	-		Stirrup
53	E40235	TGRD 81 - 230V	410863	Flame control box
54	E20675	3P + T - 90°		Plug with jumper
55	E20640	3P+T		Thermostat plug
56	G03330	-		Support plate
57	G03145	-		Stirrup
58	E50440	NS2 - 100Pa	410835	Pressure switch
59	E20955	PG 11		Cable fastener nut
60	E20952	PG 11		Cable fastener
61	E20319	-		Ground terminal board
62	E20305	12 pin		Terminal board
63	G03331	-		Stirrup
64	E20509	5 x 20		Fuse holder
65	E10310	5x20 - 16A - T		Fuse
66	E10932	TD1STCSF	410832	H.T. Transformer
67	G02086	L = 750 mm	410831	H.T. Cable connect.
68	E11157	FLC2H446000CC		Anti-jamming filter
69	E00478	L=750 mm	410833	Ionisation cable

POS.	P/N	LEGENDA	SKOV no.	DESCRIPTION
70	T30109/30	3/4"F - Honeywell		Gas valve flange
71	BH0021201	G3/8" x D 7,1	410825	Diaphragm
72	E11120	65.31 - 230V	410839	Relay
73	E10325	5x20 - 6,3A - TT		Fuse
74	G03430-9005	-		Air intake
75	G03431	Ø 150		Chimney fitting



**410169** Suspension kit for IBH heater

7.9.2 IBH 100 kW Diesel



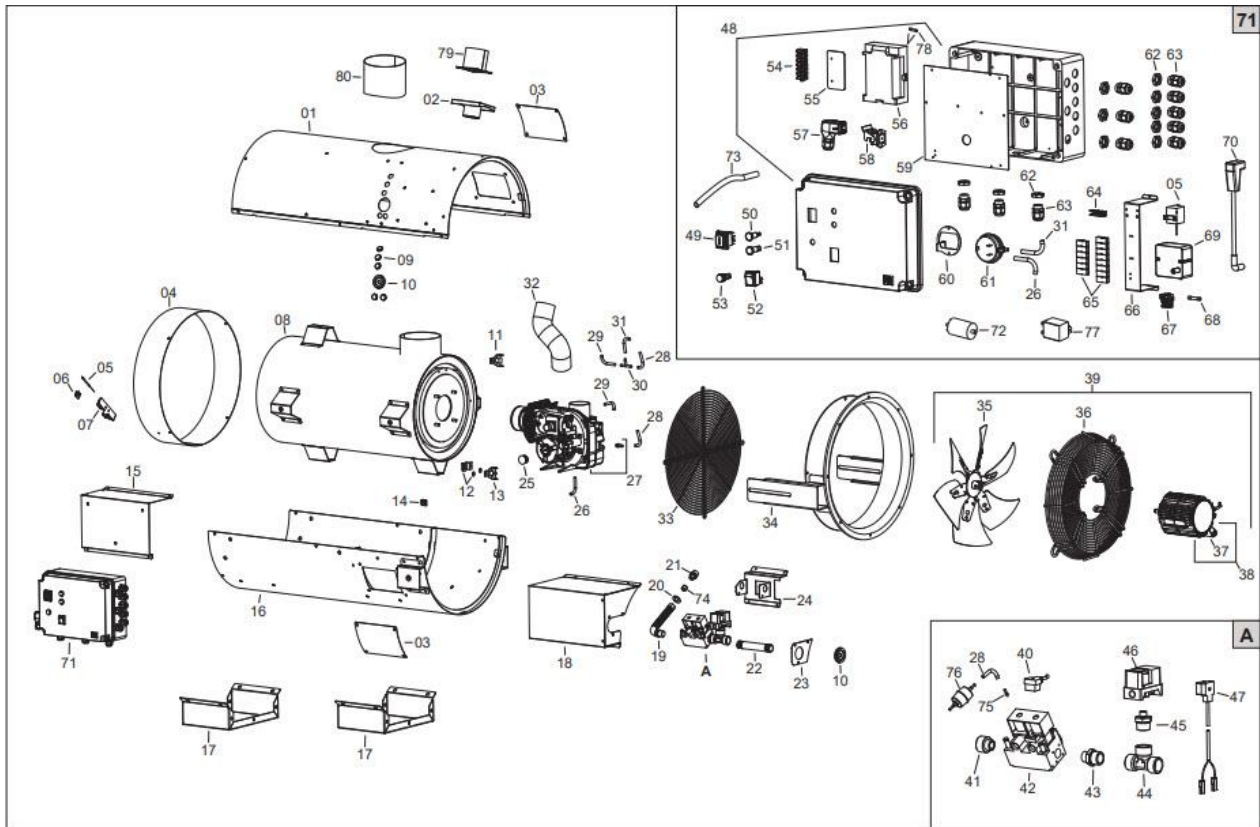
POS.	P/N	LEGENDA	SKOV no.	DESCRIPTION
1	G03350-X	-		Upper body
2	G03429-9005	-		Support bracket
3	G03338-X	-		Inspection panel
4	G03339-9005	-		Duct adapter
5	E50767	TY95A - 105 °C	410842	Safety thermostat
6	M20413	-		Hose bracket
7	G03319	-		Stirrup
8	G03340	-		Combustion chamber
9	C30323	Ø20 mm		Cable protection
10	E50104-1	-	410827	Fan Thermostat
11	G03321	-		Stirrup
12	E50110-1	-	410841	Safety thermostat
13	M20405	-		Cable protection
14	G03351-X	-		Support bracket
15	G03352-X	-		Electric wire protection
16	G00383	-		El. control box
17	G03343-X	-		Lower body
18	G03353-X	-		Inspection panel
19	G03344-9005	-		Support
20	I20104	1/4"M - 1/4"M		Iron fitting
21	G06104-9005	-		Filter support bracket

POS.	P/N	LEGENDA	SKOV no.	DESCRIPTION
22	T20201	1/4"FF	410826	Diesel filter
23	T20234	GIULIANI ANELLO		Filter seal kit
24	T20206	-		Filter cartridge
25	T20212	-		Filter container
26	I40330	L = 420mm - 1/4" FF		Flex diesel pipe
27	I40331	L = 580mm - 1/4" FF		Flex diesel pipe
28	076B07-10	RIELLO RDB4-2.0		Oil burner
29	I40809	L = 310 mm		Duct
30	P30151	-		Inlet grill
31,1	T10266	Ø 550 - 23°	410864	Fan
31,2	T10267	Ø 550 - 17° 60 Hz		Fan 60 Hz
32	G03349-9005	-		Motor flange
33	E11244	20 µF	410862	Capacitor
34	E15015	750 W - 230 V - 50 Hz	410861	Motor
35	P30190	-		Inlet grill
36	E20717/3	-		El. components box
37	E10102-P	I - 0 - II	410843	Switch
38	E11033	230V		Lamp
39	E11034	230V		Lamp
40	E10139	-	410840	Reset button
41	E11030	230V		Lamp
42	E20675	3P + T - 90°		Plug with jumper
43	E20640	3P+T		Thermostat plug
44	G03336	-		Support plate
45	E20305	12 pin		Terminal board
46	E20319	-		Ground terminal board
47	E20955	PG 11		Cable fastener nut
48	E20952	PG 11		Cable fastener
49	G03329	-		Stirrup
50	E20302	6 mm <sup>2</sup> - 12 pin		Terminal board
51	E10323	6x30 - 16A - T		Fuse
52	E20508	6 x 32		Fuse holder
53	02AC548	1/4"FF - 100 W		Diesel pre-heaters filter kit
54	T20241	FAG		Filter seal kit
55	T20242	-		Filter cartridge
56	E20953	PG11		Cable fastener
57	E20954	PG11		Cable fastener nut
58	T20357	DELAVAN	410844	Nozzle
59	E11120	65.31 - 230V	410839	Relay
60	P50151	-		Burner cover
61	G03430-9005	-		Air intake
62	G03431	Ø 150		Chimney fitting



410169 Suspension kit for IBH heater

## 7.9.3 IBH 50 kW NG/LPG



POS.	P/N	LEGENDA	SKOV no.	DESCRIPTION
1	G03315-X	-		Upper body
2	G03429-9005	-		Support bracket
3	G03317-X	-		Inspection panel
4	G03318-9005	-		Duct adapter
5	E50767	TY95A - 105 °C	410842	Safety thermostat
6	M20413	-		Hose bracket
7	G03319	-		Stirrup
8	G03436	-		Combustion chamber
9	C30323	Ø20 mm		Cable protection
10	C30376	Ø39 mm		Cable protection
11	E50104-1	-	410827	Fan Thermostat
12	G03321	-		Stirrup
13	E50110-1	-	410841	Safety thermostat
14	M20405	-		Cable protection
15	G03322-X	-		Support bracket
16	G03323-X	-		Lower body
17	G03324-9005	-		Support
18	G03325-X	-		Gas valve cover
19	I39106	L = 500 mm - 3/4" MF		Flex gas pipe
20	I39102	3/4"		Seal
21	I20106-2	3/4" M - 1/2" M		Fitting

POS.	P/N	LEGENDA	SKOV no.	DESCRIPTION
22	I25024	3/4"M - 3/4"M - L=100		Iron fitting
23	G03326-X	-		Panel
24	G03327-X	-		Stirrup
25	C30374	Ø 32,6		Pipe cap
26	I40335	Ø4x8 (L=1 m)		Silicone pipe
27	074B54-10	RIELLO RDBS0.1		Gas burner
28	I40335	Ø4x8 (L=1 m)		Silicone pipe
29	I40335	Ø4x8 (L=1 m)		Silicone pipe
30	I20669	-		Hose connection
31	I40335	Ø4x8 (L=1 m)		Silicone pipe
32	I40810	L = 230 mm		Duct
33	P30191	-		Outlet grill
34	G03328-9005	-		Motor flange
35	E10759-01	Ø 450 - 30°		Fan
36	E10759-02	-		Inlet grill
37	E10759-04	14 µF		Capacitor
38	E10759-03-TR	500 W - 230V - 50 Hz		Motor
39	E10759-TR	500 W - 230 V / 50 Hz		Air fan assembly
40	T20463	SIT 830		Plug valve
41	I20211	3/4" F - 1/2" M		Fitting
42	T30117	SIT - 0830	410830	Gas valve unit
43	I20106	3/4" M - 1/2" M		Fitting
44	I30118	3/4"F - 3/4"F - 3/4"F		Fitting
45	I31207	3/4"M - 1/4"M		Fitting
46	E50449	DG40VC5	410837	Pressure switch
47	T20446	-		Plug valve
48	E20710/16	-		El. components box
49	E10102-P	I - 0 - II	410843	Switch
50	E11033	230V		Lamp
51	E11034	230V		Lamp
52	E10139	-	410840	Reset button
53	E11030	230V		Lamp
54	E20302	6 mm2 - 12 pin		Terminal board
55	G03329	-		Stirrup
56	E40235	TGRD 81 - 230V	410863	Flame control box
57	E20675	3P + T - 90°		Plug with jumper
58	E20640	3P+T		Thermostat plug
59	G03330	-		Support plate
60	G03145	-		Stirrup
61	E50447	NS2 - 50Pa	410836	Pressure switch
62	E20955	PG 11		Cable fastener nut
63	E20952	PG 11		Cable fastener
64	E20319	-		Ground terminal board

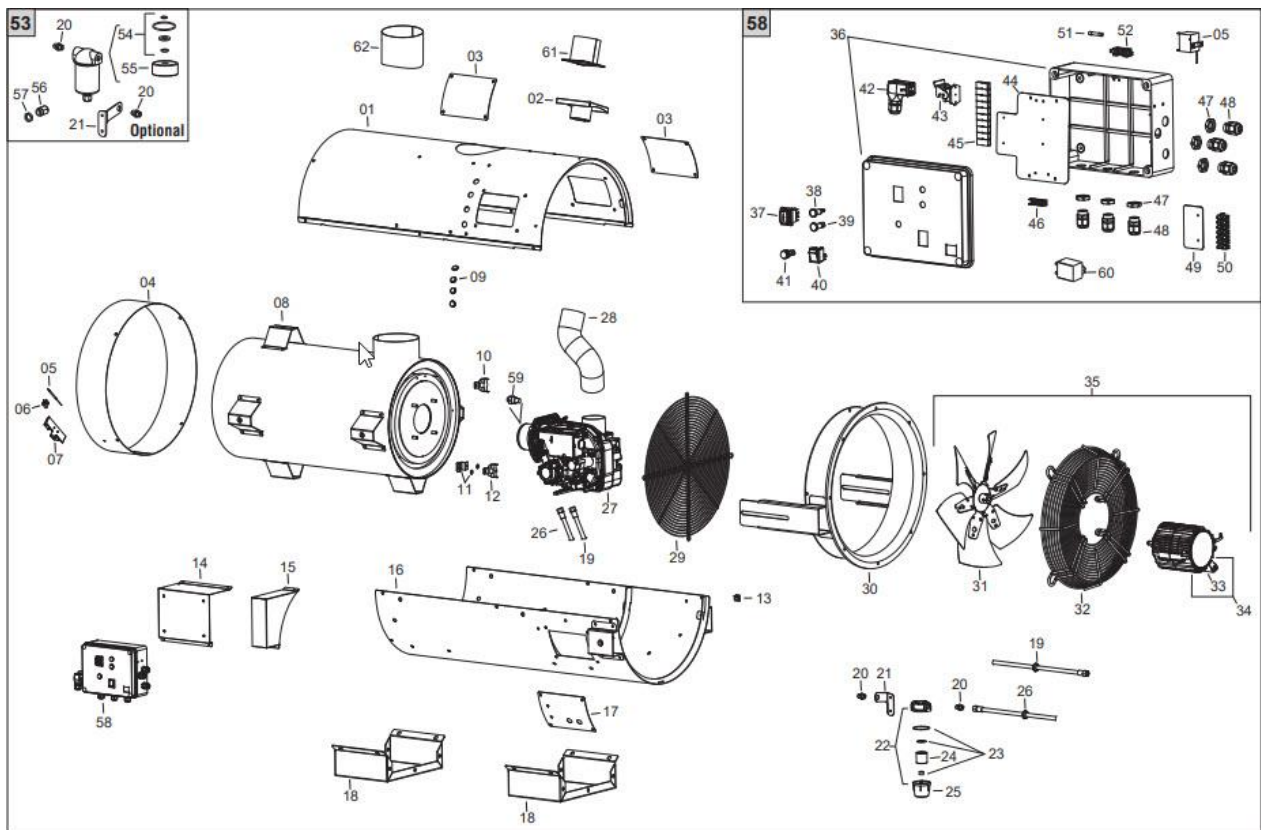


POS.	P/N	LEGENDA	SKOV no.	DESCRIPTION
65	E20305	12 pin		Terminal board
66	G03331	-		Stirrup
67	E20509	5 x 20		Fuse holder
68	E10303	5x20 - 10A - T		Fuse
69	E10932	TD1STCSF	410832	H.T. Transformer
70	G02086	L = 750 mm		H.T. Cable connect.
71	G00377	-		El. control box
72	E11157	FLC2H446000CC		Anti-jamming filter
73	E00478	L=750 mm	410833	Ionisation cable
74	BH0011201	G3/8" x D 6,3	410824	Diaphragm
75	I31121	M5 - D.4,5		Brass hose connection
76	I30414	Ø6 - Ø8	410828	Filter
77	E11120	65.31 - 230V	410839	Relay
78	E10325	5x20 - 6,3A - TT		Fuse
79	G03430-9005	-		Air intake
80	G03431	Ø 150		Chimney fitting



**410169** Suspension kit for IBH heater

7.9.4 IBH 50 kW Diesel



POS.	P/N	LEGENDA	SKOV no.	DESCRIPTION
1	G03332-X	-		Upper body
2	G03429-9005	-		Support bracket
3	G03317-X	-		Inspection panel
4	G03318-9005	-		Duct adapter
5	E50767	TY95A - 105 °C	410842	Safety thermostat
6	M20413	-		Hose bracket
7	G03319	-		Stirrup
8	G03436	-		Combustion chamber
9	C30323	Ø20 mm		Cable protection
10	E50104-1	-	410827	Fan Thermostat
11	G03321	-		Stirrup
12	E50110-1	-	410841	Safety thermostat
13	M20405	-		Cable protection
14	G03333-X	-		Support bracket
15	G03334-X	-		Electric wire protection
16	G03323-X	-		Lower body
17	G03335-X	-		Inspection panel
18	G03324-9005	-		Support
19	I40331	L = 580mm - 1/4" FF		Flex diesel pipe

POS.	P/N	LEGENDA	SKOV no.	DESCRIPTION
20	I20104	1/4"M - 1/4"M		Iron fitting
21	G06104-9005	-		Filter support bracket
22	T20201	1/4"FF	410826	Diesel filter
23	T20234	GIULIANI ANELLO		Filter seal kit
24	T20206	-		Filter cartridge
25	T20212	-		Filter container
26	I40330	L = 420mm - 1/4" FF		Flex diesel pipe
27	076B06-10	RIELLO RDB2-1.1		Oil burner
28	I40810	L = 230 mm		Duct
29	P30191	-		Outlet grill
30	G03328-9005	-		Motor flange
31	E10759-01	Ø 450 - 30°		Fan
32	E10759-02	-		Inlet grill
33	E10759-04	14 µF		Capacitor
34	E10759-03-TR	500 W - 230V - 50 Hz		Motor
35	E10759-TR	500 W - 230 V / 50 Hz		Air fan assembly
36	E20717/3	-		El. components box
37	E10102-P	I - 0 - II	410843	Switch
38	E11033	230V		Lamp
39	E11034	230V		Lamp
40	E10139	-	410840	Reset button
41	E11030	230V		Lamp
42	E20675	3P + T - 90°		Plug with jumper
43	E20640	3P+T		Thermostat plug
44	G03336	-		Support plate
45	E20305	12 pin		Terminal board
46	E20319	-		Ground terminal board
47	E20955	PG 11		Cable fastener nut
48	E20952	PG 11		Cable fastener
49	G03329	-		Stirrup
50	E20302	6 mm <sup>2</sup> - 12 pin		Terminal board
51	E10308	6x30 - 10A - T		Fuse
52	E20508	6 x 32		Fuse holder
53	02AC548	1/4"FF - 100 W		Diesel pre-heaters filter kit
54	T20241	FAG		Filter seal kit
55	T20242	-		Filter cartridge
56	E20953	PG11		Cable fastener
57	E20954	PG11		Cable fastener nut
58	G00382	-		El. control box

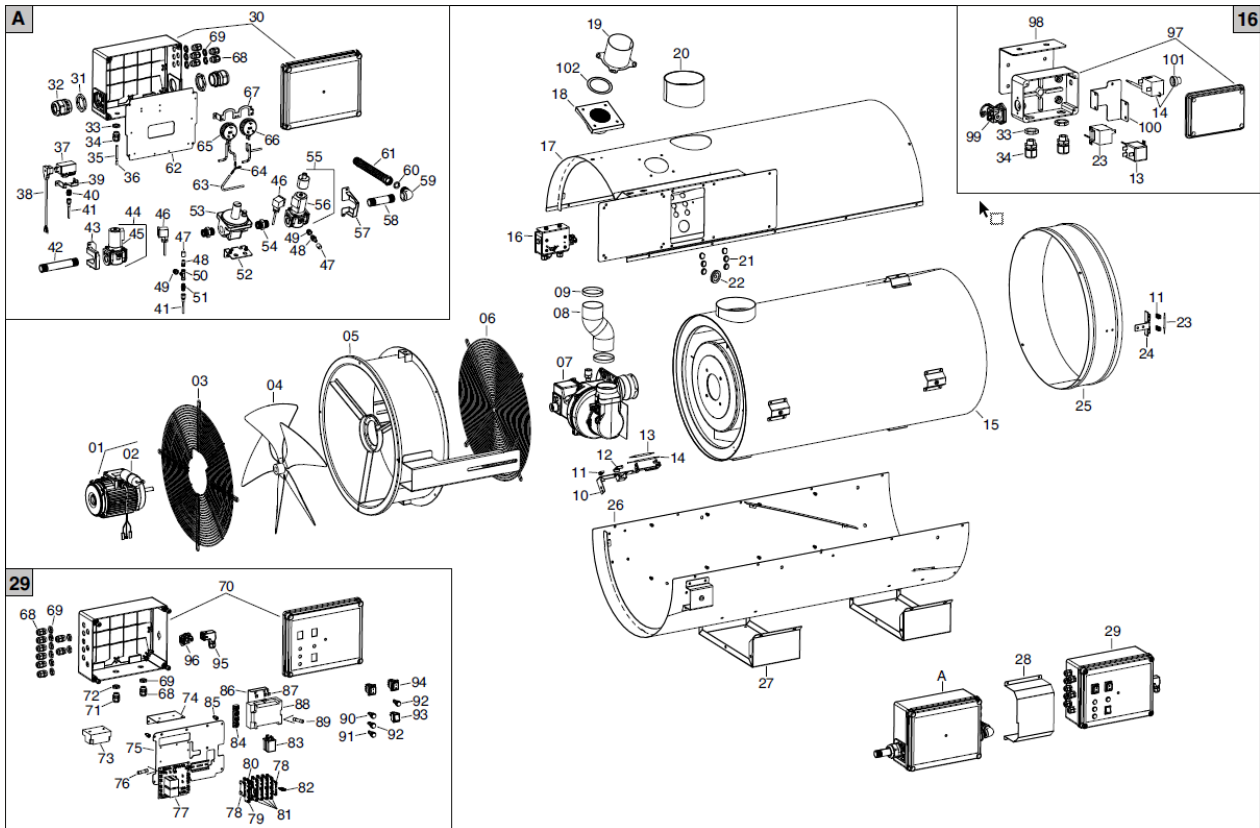
POS.	P/N	LEGENDA	SKOV no.	DESCRIPTION
59	T20363	DELAVAN 0,85 GPH 80° W	410834	Nozzle
60	E11120	65.31 - 230V	410839	Relay
61	G03430-9005	-		Air intake
62	G03431	Ø 150		Chimney fitting



**410169** Suspension kit for IBH heater

## 7.10 Blow heater IBH-2

### 7.10.1 IBH-2 100 kW NG/LPG



POS.	P/N	LEGENDA	SKOV no.	DESCRIPTION
1	E15015	750 W - 230 V - 50 Hz	410861	Motor
2	E15015-1	20 $\mu$ F	-	Capacitor
3	P30190		-	Inlet grill
4	T10266	$\varnothing$ 550 - 23°	410864	Fan
5	G03349-9005		-	Motor flange
6	P30151		-	Inlet grill
7	073B102-G	MAX GAS 120 LN P B	-	Gas burner
7	073B102-M	MAX GAS 120 LN P B	-	Gas burner
8	I40815	L = 290 mm	-	Duct
9	G03495-X		-	Clip
10	G03496-X		-	Stirrup
11	M20413		-	Hose bracket
12	G03497		-	Hose bracket
13	E50778	TY95 0/60 °C	-	Fan Thermostat
14	E50745	TY95H - 105 °C	-	Safety thermostat
15	G03498		-	Combustion chamber
16	G00550		-	Thermostat control box
17	G03499-X		-	Upper body

POS.	P/N	LEGENDA	SKOV no.	DESCRIPTION
18	G03500-9005		-	Support bracket
19	G03430-9005		-	Air intake
20	G03501	Ø 150	-	Chimney fitting
21	C30323	Ø20 mm	-	Cable protection
22	C30376	Ø39 mm	-	Cable protection
23	E50767	TY95A - 105 °C	410842	Safety thermostat
24	G03502		-	Thermostat support bracket
25	G03503-9005		-	Duct adapter
26	G03504-X		-	Lower body
27	G03344-9005		-	Support
28	G03505-X		-	Isolation
29	G00548		-	El. control box
30	G03506		-	El. components box
31	E20985	PG 36	-	Cable fastener nut
32	E20984	PG 36	-	Cable fastener
33	E20932	PG 9	-	Cable fastener nut
34	E20943	PG 9	-	Cable fastener
35	I40335	Ø4x8 (L=1 m)	-	Silicone pipe
36	I40336	Ø4x1,5 (L=1 m)	-	Rilsan pipe
37	E50452	DG40VC5	-	Pressure switch
38	T20453	L = 800 mm	-	Pressure switch cable
39	G03507		-	Pressure switch support bracket
40	I20101	1/4"M - 1/8"M	-	Fitting
41	I40192	L = 250mm 1/8"F - 1/8"F	-	Micropipe
42	I25022	3/4"M - 3/4"M - L=150	-	Iron fitting
43	G03508		-	Stirrup
44	T30129	EVPS03	-	Solenoid valve
45	T30129-2	EVPS03	-	Solenoid coil
46	T30130		-	Plug valve
47	C30378		-	Cap
48	I30743		-	Fitting with pressure connection
49	I20202	1/4"M - 1/8"F	-	Brass fitting
50	I30120	1/8"F - 1/8"M - 1/8"F	-	Fitting
51	I20115	1/8"M - 1/8"M	-	Iron fitting
52	G03509-9005		-	Stirrup
53	T30127	RV53M	-	Pressure regulator
54	I20109	3/4" M - 3/4" M	-	Fitting
55	T30128	EVPS03208	-	Solenoid valve
56	T30128-2	EVPS03208	-	Solenoid coil
57	G03510		-	Stirrup
58	I25024	3/4"M - 3/4"M - L=100	-	Iron fitting

POS.	P/N	LEGENDA	SKOV no.	DESCRIPTION
59	I20356	3/4"MF / 90°	-	Fitting
60	I39102		-	Seal
61	I39120	L = 300mm/600mm 3/4" MF	-	Flex gas pipe
62	G03511		-	Valve support plate
63	I40332	Ø5x9 (L=1 m)	-	Silicone pipe
64	I20671		-	Fitting
65	E50440	NS2 - 100Pa	410835	Pressure switch
66	E50460	NS2 - 450Pa	-	Pressure switch
67	G03512		-	Pressure switch support bracket
68	E20953	PG 11	-	Cable fastener
69	E20955	PG 11	-	Cable fastener nut
70	G03513		-	El. components box
71	E20949	PG13,5	-	Cable fastener
72	E20950	PG13,5	-	Cable fastener nut
73	E10927	TRK2	-	H.T. Transformer
74	G03514-9005		-	Transformersupport bracket
75	G03515-9005		-	Support plate
76	E10310	5x20 - 16A-T	-	Fuse
77	E50793		-	PCB
78	E20995	1x	-	End brackets
79	E20991	1x	-	Terminal board
80	E20990	1x	-	Terminal board
81	E20992	1x	-	Terminal board
82	E20994	1x	-	Step dpwn bridges
83	E11120	65.31 - 230V	410839	Relay
84	E20349	WAGO - 3 pin	-	Terminal board
85	E20998		-	Support
86	G03458		-	Panel
87	M20616		-	Terminal board to rivet
88	E40143	REDGUN-G1N TP 30 s	-	Flame control box
89	E10303	5x20 - 10A - T	-	Fuse
90	E11033	230V	-	Lamp
91	E11034	230V	-	Lamp
92	E11036	230V	-	Lamp
93	E10139	-	410840	Reset button
94	E10110-1-P	0-1	-	Switch
95	E20675	3P+T-90°	-	Plug with jumper
96	E20640	3P+T	-	Thermostat plug
97	E20719-15		-	El. components box
98	G03516		-	Stirrup
99	E20639	4P+T	-	Thermostat plug



POS.	P/N	LEGENDA	SKOV no.	DESCRIPTION
100	G03517		-	Thermostat support bracket
101	E20641		-	Isolation

## 7.11 Blow heater GP-BCU

### GP 14 kW BCU



\*410138 Blow heater GP 14 kW, natural gas, 230V

\*410139 Blow heater GP 14 kW, LPG, 230V

### GP 40 kW BCU



\*\*410130 Blow heater GP 40 kW, natural gas, 230V

\*410131 Blow heater GP 40 kW, LPG, 230V

\*410162 Blow heater GP 40 kW, LPG, 230V 60Hz

### GP 70 kW BCU



\*\*410132 Blow heater GP 70 kW, LPG, 230V, 50 Hz

\*\*410133 Blow heater GP 70 kW, natural gas, 230V

### GP 95 kW BCU



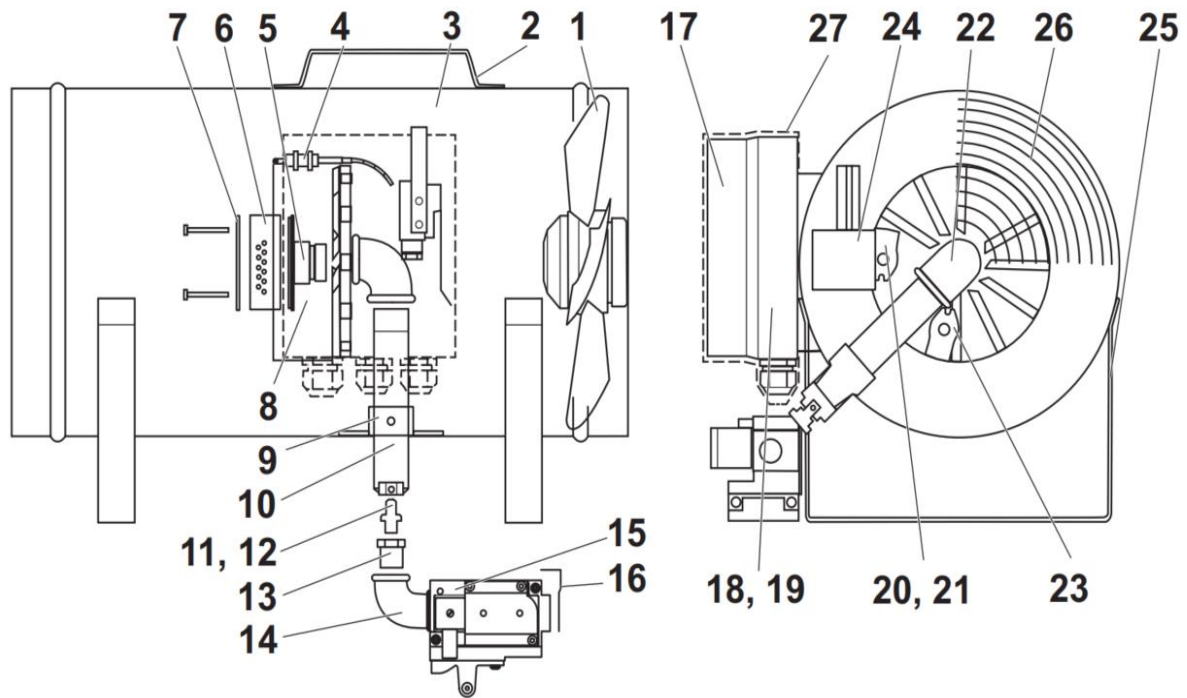
\*410134 Blow heater GP 95 kW, LPG, 230V

\*410135 Blow heater GP 95 kW, natural gas, 230V

\*The product is phased out

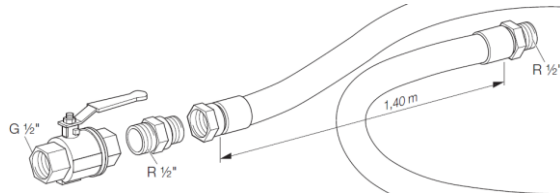
\*\*The product is being phased out.

**7.11.1 GP 14 kW BCU**

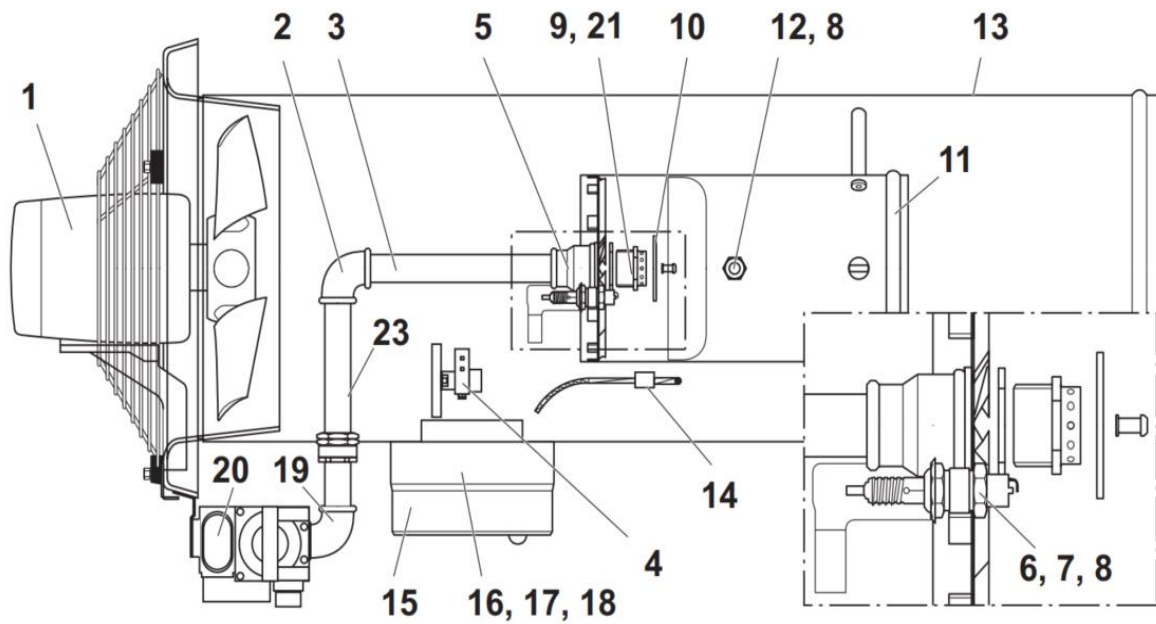


Pos.	P/N	SKOV no.	Description
1	N50500004		Fan for GP 14, A4E-300-AA01-02
2	N50500190		Carry handle for GP 14
3	N50500022		GP 14 housing, stainless steel
4	N50260097		Temperature sensor for STM/STL, 6 mm x 45 mm, L = 290 mm
5	N50500162		Burner head for GP 14
6	N50500170		Burner ring for GP 14
7	N50500161		Burner baffle plate for GP 14
8	N50500185		Burner chamber for GP 14
9	N50500220		Mixer pipe mounting ring for GP 14
10	N50500210		Mixer pipe for GP 14
11	N50500230		Natural gas nozzle for GP 14, 3.30 mm
12	N50500240		LPG nozzle for GP 14, 1.90 mm
13	N50290024		Nipple 1/2" x 1/4"
14	N50290025		90° male/female elbow, galvanized, Rp 1/2"/R 1/2"
15	N50500063	410918	Gas contr. CG 10 f.GP14 BCU/ACU+GP40 BCU
16	N50500062		Combination control bracket for GP 14
17	N50260101	410901	BCU 300 front, w/electronics
18	N50260102	410900	BCU 300 base, w/ignition trans.
19	N50260109	410911	Ignition transformer for GP series
20	N50500052		Beru ignition electrode for GP 14
21	N50500090		Ignition cable kit for GP 14, complete with plug and cap
22	N50700901		1" elbow No. 90
23	N50500075		Beru ZE14 ionization electrode for GP 14

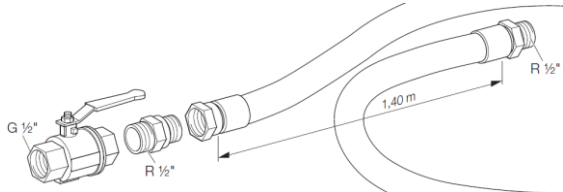
Pos.	P/N	SKOV no.	Description
24	N50390020		Vane switch, complete, for GP 14–120
25	N50500200		Stand for GP 14
26	N50500003		Safety grille for GP 14, 09534-2-4039-300
27	N50260147		Protective cap for BCU, PVC, black, with viewing window
	N50260223	410916	Fuse for BCU 8 A, F1
	N52600073	410157	Connection kit gas blow heater ½" 1.5 m



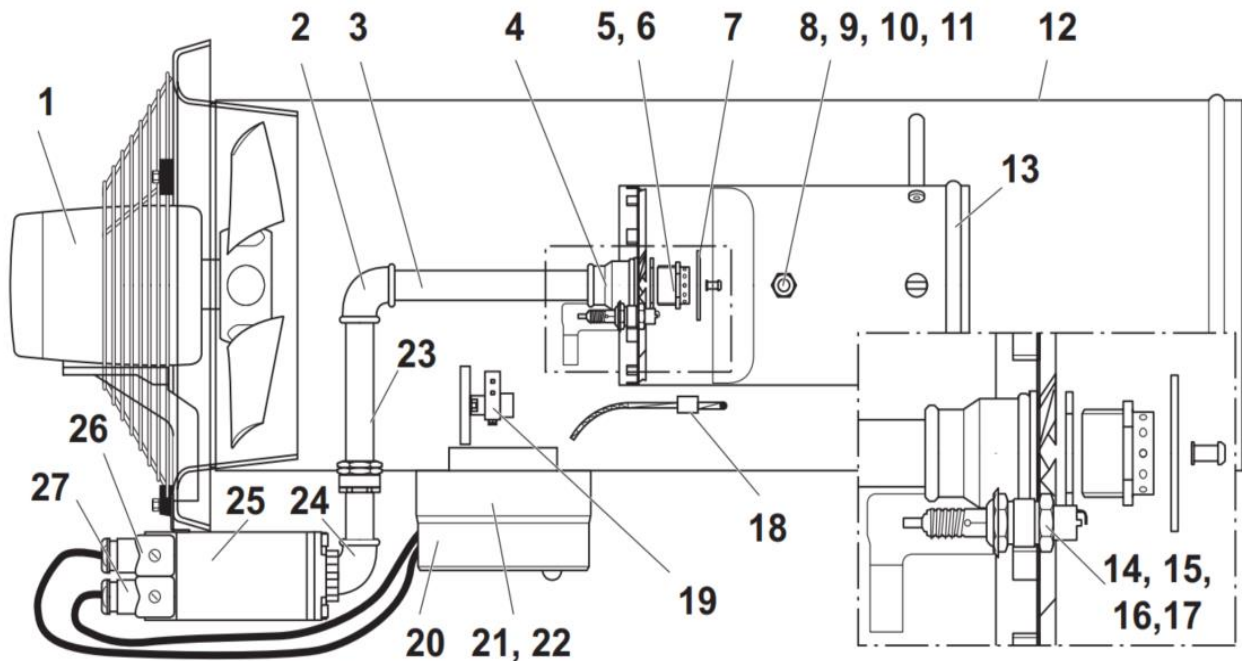
## 7.11.2 GP 40 kW BCU



Pos.	P/N	SKOV no.	Description
1	N70300174	410913	Fan compl. f. GP 40 blow heater, 2E30
2	N50260013		90° bend, galvanized, Rp ¾"
3	N50260042		Pipe 230 mm, galvanized, R ¾"
4	N50390028	410919	Vane switch, complete, f. GP 14-120
5	N50260080		Reducing socket, galvanized, Rp ¾-1", No. 240
6	N50260030	410902	Ignition plug for GP 40/70, RGA 100
7	N50260213	410905	Igni. cable kit f. GP 40/120, w/plug/cap
8	N50260004	410903	Nut f.ignition/ionization elec. M14x1.25
9	N50260161	410865	Natural gas nozzle f/GP 40 12xø1.8mm BCU
10	N50260168		Burner baffle plate for GP 40/GP 70, Ø 62 mm
11	N50260115		Burner chamber for GP 40/GP 70
12	N50260031	410907	Ionization electrode for GP 40/70, ZE14
13	N50260111		GP 40/GP 70 housing, stainless steel
14	N50260099	410912	Temperature sensor for STM/STL, 6 x 45 TSK1056 (Type: 36342411) NTC (5 kΩ/25°C)
15	N50260101	410901	BCU 300 front, w/electronics
16	N50260102	410900	BCU 300 base, w/ignition trans.
17	N50260109	410911	Ignition transformer for GP series
18	N50260147		Protective cap for BCU, PVC, black, with viewing window
19	N52800015		90° male/female bend, galvanized, Rp ½"/R ¾"
20	N50500063	410918	Gas contr. CG 10 f.GP14 BCU/ACU+GP40 BCU
21	N50260027	410866	LPG nozzle for GP 40 6xø1.6mm BCU
	N50260223	410916	Fuse for BCU 8 A, F1
	N50260224	410915	Fuse for BCU 3.15 A, F2

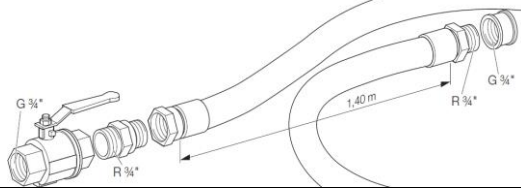
Pos.	P/N	SKOV no.	Description
	N52600073	410157	Connection kit gas blow heater 1/2" 1.5 m 

7.11.3 GP 70 kW BCU

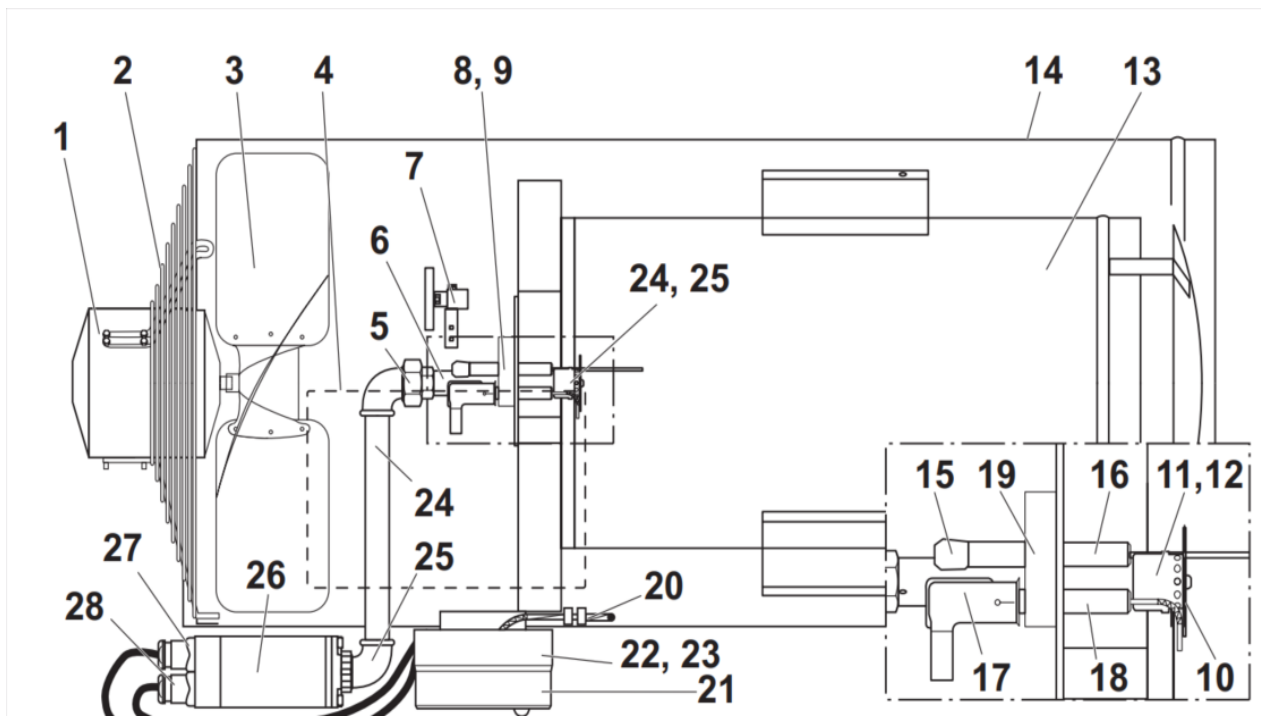


Pos.	P/N	SKOV no.	Description
1	N50260401	410914	Fan compl. f.GP 40 blow heater, 2E30-3PP
1	N50261401		Multifan fan, complete, 60 Hz, 5 µF motor, 30° impeller wheel, 2E30-3PP
2	N50260013		90° elbow, galvanized, Rp ¾"
3	N50260042		Pipe 230 mm, galvanized, R ¾"
4	N50260080		Reducing socket, galvanized, Rp ¾-1", No. 240
5	N50260020	410868	LPG nozzle for GP 70 6xø1.9mm BCU
6	N50260152	410867	Natural gas nozzle f/GP 70 12xø2.3mm BCU
7	N50260168		Burner baffle plate for GP 40/GP 70, Ø 62 mm
8	N50260004	410903	Nut f.ignition/ionization elec. M14x1.25
9	N50260031	410907	Ionization electrode for GP 40/70, ZE14
10	N50260130		Terminal boot for flame rod, rubber, black
11	N50500080	410909	Ionization cable kit for GP series
12	N50260111		GP 40/GP 70 housing, stainless steel
13	N50260115		Burner chamber for GP 40/GP 70
14	N50260004	410903	Nut f.ignition/ionization elec. M14x1.25
15	N50260030	410902	Ignition plug for GP 40/70, RGA 100
16	N50260039	410904	Ignition electrode, metal, gray, 1 kOhm
17	N50260213	410905	Igni. cable kit f. GP 40/120, w/plug/cap
18	N50260098	410912	Temperature sensor f. blow heater
19	N50260144	410910	Fan blade switch, compl. w/2-wire cable
20	N50260101	410901	BCU 300 front, w/electronics
21	N50260102	410900	BCU 300 base, w/ignition trans.



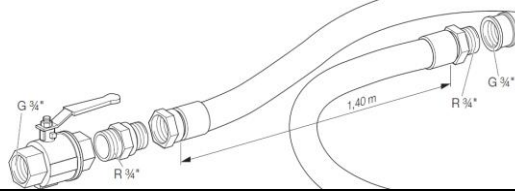
Pos.	P/N	SKOV no.	Description
22	N50260109	410911	Ignition transformer for GP series
23	N50280202		Pipe 100 mm, galvanized, R ¾"
24	N50260171		90° male/female elbow, galvanized, R ¾"/Rp ¾"
25	N50280123	410906	Gas combination contr. CG220 f.GP 70/120
26	N50260119	410989	Plug for pressure switch, gray
27	N50260118	410990	Plug for valves, black
28	N50260147		Protective cap for BCU, PVC, black, with viewing window
29	N50260148		Protective cap for gas combination control CG 220, PVC, black
	N50260223	410916	Fuse for BCU 8 A, F1
	N50260224	410915	Fuse for BCU 3.15 A, F2
	N52600072	410156	Connection kit gas blow heater ¾" 1.5 m 
		410991	Room thermostat TH 215 complete
	N52600023	410992	Reca 1.5 bar to 50 mbar 2 X½

7.11.4 GP 95 kW BCU



Pos.	P/N	SKOV no.	Description
1	N50390100	410920	Fan motor f. GP 95 blow heater
2	N50390055		Safety grille for GP 95 fan
3	N52600032	410923	Fan blade 18", 26°, for GP 95/P 60
4	N50390034		Cover for maintenance opening GP 95/GP 120
5	N50390052		90° elbow, galvanized, Rp ¾"
6	N50260173		Pipe 178 mm, galvanized, R ¾"
7	N50260144	410910	Fan blade switch, compl. w/2-wire cable
8	N50390090		Natural gas burner for GP 95, complete
9	N50390091		LPG burner for GP 95, complete
10	N50260167		Burner baffle plate for GP 95/GP 120/RGA, Ø 48 mm
11	N50390075		Natural gas nozzle for GP 95, 12 x Ø 2.7 mm, stainless steel
12	N50390076		LPG nozzle for GP 95, 12 x Ø 1.7 mm, stainless steel
13	N50390053		Burner chamber for GP 95
14	N50390050		GP 95 housing, stainless steel
15	N50500080	410909	Ionization cable kit for GP series
16	N50390006	410922	Ionization electrode for GP 95/120
17	N50260213	410905	Igni. cable kit f. GP 40/120, w/plug/cap
18	N50390005	410921	Ignition electrode for GP 95/120
19	N52600008		Electrode holder for GP 95/GP 120
20	N50260097		Temperature sensor for STM/STL, 6 x 45, L = 290 mm, TSK 1056 NTC (5 kΩ/25°C)
21	N50260101	410901	BCU 300 front, w/electronics
22	N50260102	410900	BCU 300 base, w/ignition trans.

Pos.	P/N	SKOV no.	Description
23	N50260109	410911	Ignition transformer for GP series
24	N50260172		Pipe 270 mm, galvanized, R ¾"
25	N50260171		90° male/female elbow, galvanized, R ¾"/Rp ¾"
26	N50280123	410906	Gas combination contr. CG220 f.GP 70/120
27	N50260119		Plug for pressure switch, grey
28	N50260118		Plug for valves, black
29	N50260147		Protective cap for BCU, PVC, black, with viewing window
30	N50260148		Protective cap for gas combination control CG 220, PVC, black
	N50260223	410916	Fuse for BCU 8 A, F1
	N50260224	410915	Fuse for BCU 3.15 A, F2
	N52600072	410156	Connection kit gas blow heater ¾" 1.5 m



## 7.12 Blow heater GP-ACU

### GP 14 kW ACU



\*410170 Blow heater GP 14kW ACU LPG 230V 50Hz

### GP 40 kW ACU



410171 Blow heater GP 40kW ACU NG 230V 50Hz  
410172 Blow heater GP 40kW ACU LPG 230V 50Hz  
410173 Blow heater GP 40kW ACU LPG 230V 60Hz

### GP 70 kW ACU



410174 Blow heater GP 70kW ACU NG 230V 50Hz  
410175 Blow heater GP 70kW ACU LPG 230V 50Hz  
410176 Blow heater GP 70kW ACU LPG 230V 60Hz

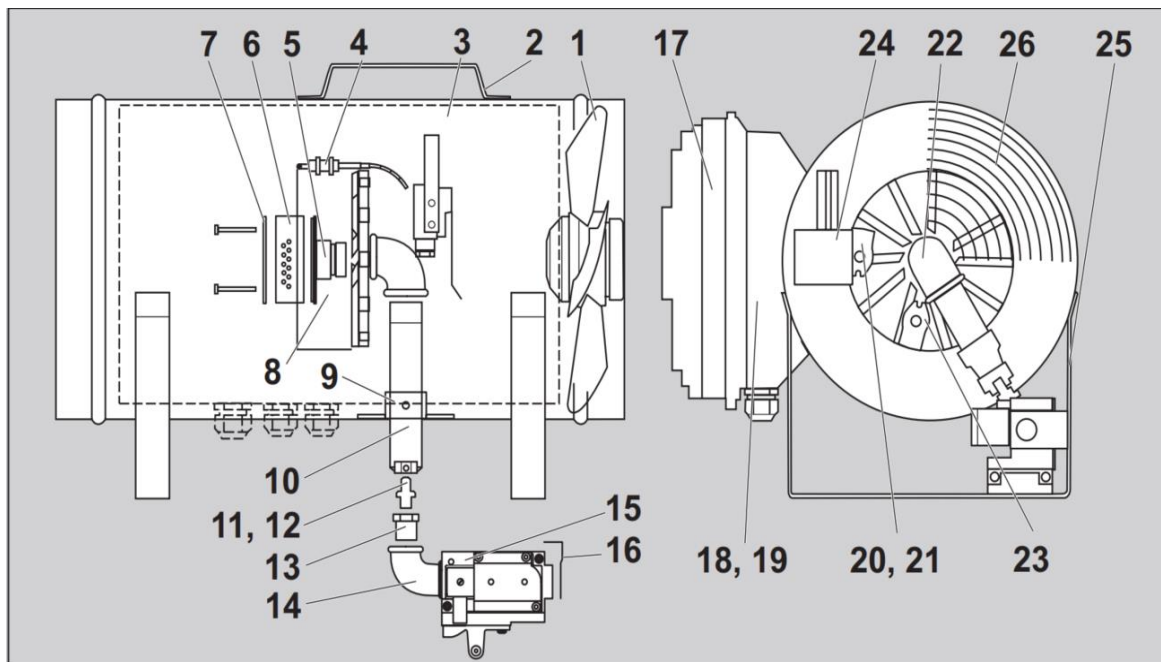
### GP 95 kW ACU



\*410177 Blow heater GP 95kW ACU LPG 230V 50Hz

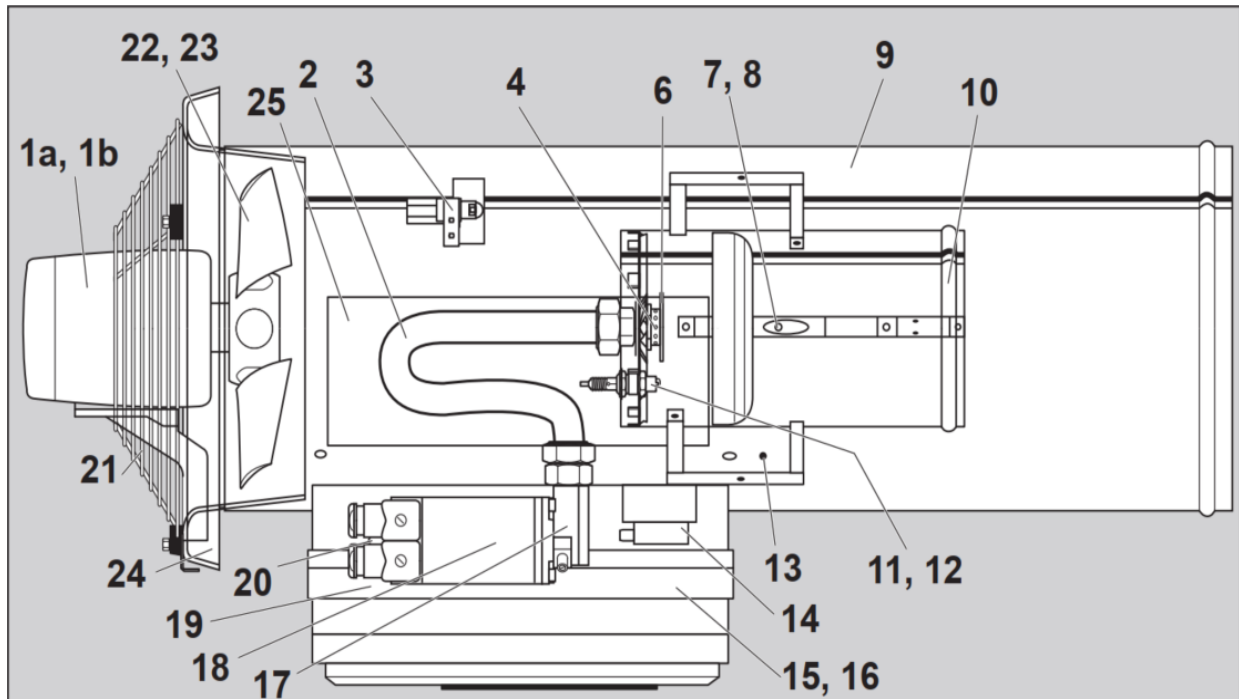
\*The product is phased out

## 7.12.1 GP 14 kW ACU



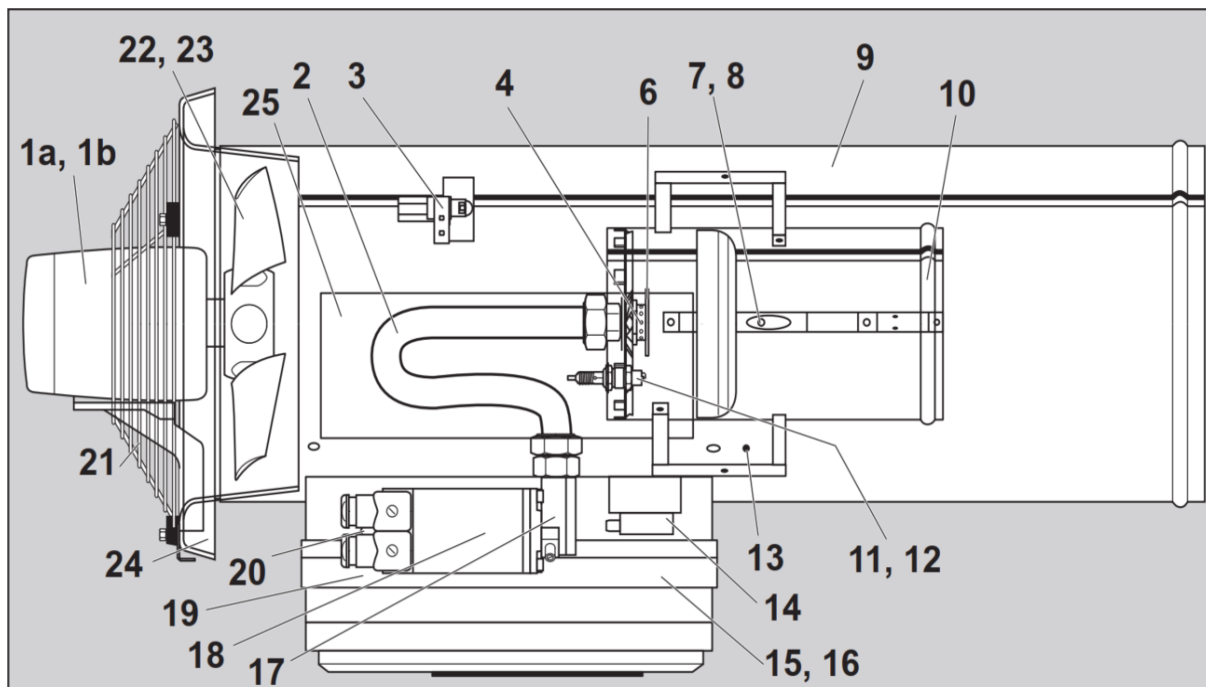
Pos.	P/N	SKOV no.	Description
1	N50500004		Fan for GP 14 BCU/ACU
2	N70300134		Carry handle kit for GP 14
3			Housing for GP 14 ACU, stainless steel
4	N70300095	410813	Safety temp.limit.(STL) f. GP 14-120 ACU
5	N50500162		Burner head for GP 14
6	N50500170		Burner ring for GP 14
7	N50500161		Burner baffle plate for GP 14
8	N70300023		Burner chamber for GP 14 ACU
9	N50500220		Mixer pipe mounting ring for GP 14
10	N50500210		Mixer pipe for GP 14
11	N50500230		Natural gas nozzle for GP 14, 3.30 mm
12	N70300052	410800	Nozzle GP 14 ACU, LPG
13	N50290024		Nipple, 1/2" x 1/4"
14	N50290025		90° male/female elbow, galvanized, Rp 1/2"/R 1/2"
15	N50500063	410918	Gas contr. CG 10 f.GP14 BCU/ACU+GP40 BCU
17	N70300005	410924	ACU 121, complete
18	N70300007		Burner Chip Card (BCC) for GP ACU series
19	N50260109	410911	Ignition transformer for GP series
20	N50500052		Beru spark electrode for GP 14
21	N70300103	410818	Ignition cable kit f.GP 14 ACU, complete
22	N50700901		1" elbow No. 90
23	N50500075		Beru ZE14 flame rod for GP 14
24	N70300099	410814	Vane switch, complete, for GP 14 ACU
25	N70300135		Stand kit for GP 14 ACU
26	N50500003		Safety grille for GP 14 BCU/ACU
98	N70300107	410821	Extra ionization cable for GP 14
99	N70300088		Complete cable harness for GP 14/120 ACU

## 7.12.2 GP 40 kW ACU



Pos.	P/N	SKOV no.	Description
1a	N50260351		Fan motor, 50 Hz, GP 40
1b	N50260361		Fan motor, 60 Hz, GP 40
2	N70300084		Flexible connection pipe for GP 40/70
3	N70300100	410815	Vane switch, complete, for GP 40 ACU
4	N70300053	410801	Nozzle GP 40 ACU, natural gas
4	N70300054	410802	Nozzle GP 40 ACU, LPG
6	N70300058		Burner baffle plate for GP 40/GP 70
7	N70300064	410809	Ionization electrode for GP 40/70
8	N70300108	410822	Ionization cable kit f. GP 40/70 ACU
9			Housing for GP 40 ACU
10	N70300024		Burner chamber for GP 40 ACU
11	N70300063	410806	Ignition plug for GP 40/70
12	N70300104	410819	Ignition cable kit f. GP 40/70 ACU
13	N70300095	410813	Safety temp.limit.(STL) f. GP 14–120 ACU
14	N50260109	410911	Ignition transformer for GP series
15	N70300005	410924	ACU 121, complete
16	N70300007		Burner Chip Card (BCC) for GP series
17	N70300075		Angle flange, outlet, for GP 40 ACU
18	N70300073	410811	Gas combination contr. CG 10 f.GP 40 ACU
19	N70300088		Complete cable kit for GP ACU
20	N70300080		Angle flange, inlet, for GP 40 ACU
21	N52700002		Safety grille for GP 40/GP 70
22	N50260399		Fan impeller wheel, 50 Hz
23	N50260395		Fan impeller wheel, 60 Hz
24	N50260244		Fan inlet hood for GP 40/GP 70 ACU
25	N70300147		Cover for maintenance opening, for GP 40/GP 70 ACU

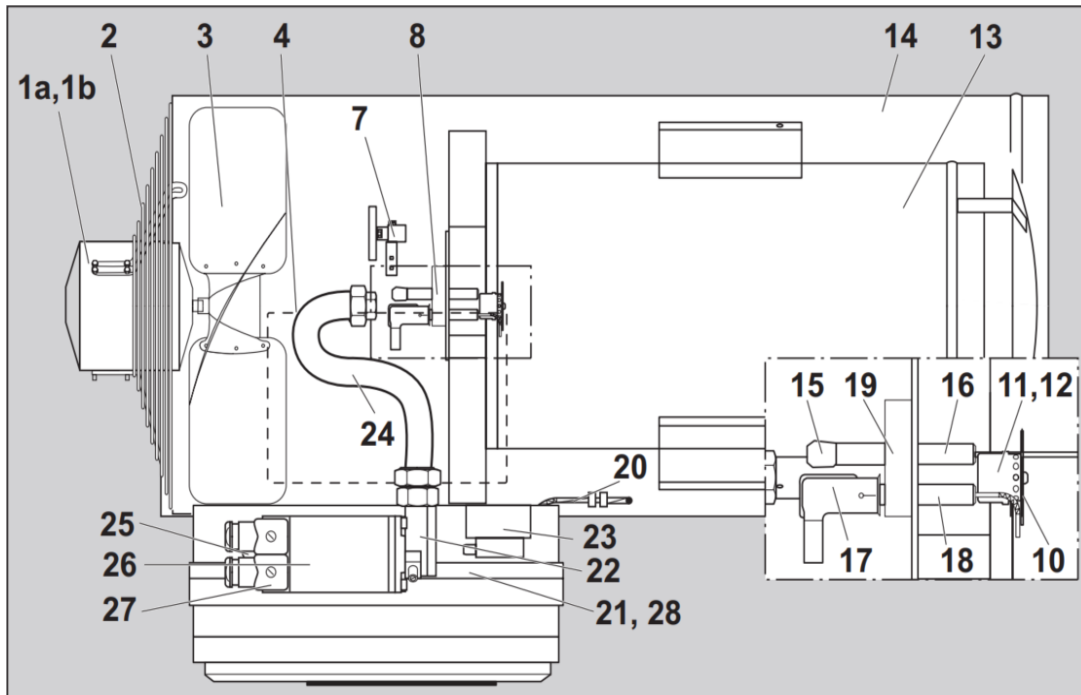
## 7.12.3 GP 70 kW ACU



Pos.	P/N	SKOV no.	Description
1a	N50260350		Fan motor, 50 Hz, GP 70
1b	N50260360		Fan motor, 60 Hz, GP 70
2	N70300084		Flexible connection pipe for GP 40/70
3	N70300101	410816	Vane switch, complete, for GP 70
4	N70300055	410803	Nozzle GP 70 ACU, natural gas
4	N70300056	410804	Nozzle GP 70 ACU, LPG
6	N70300058		Burner baffle plate for GP 40/GP 70
7	N70300064	410809	Ionization electrode for GP 40/70
8	N70300108	410822	Ionization cable kit f. GP 40/70 ACU
9		410987	Housing for GP 70
10	N70300025		Burner chamber for GP 70
11	N70300063	410806	Ignition plug for GP 40/70
12	N70300104	410819	Ignition cable kit f. GP 40/70 ACU
13	N70300095	410813	Safety temp.limit.(STL) f. GP 14–120 ACU
14	N50260109	410911	Ignition transformer for GP series
15	N70300005	410924	ACU 121, complete
16	N70300007	410984	Burner Chip Card (BCC) for GP series
17	N70300081		Angle flange, outlet, for GP 70 – 120
18	N70300074	410812	Gas combinat. contr. CG 2 f.GP 70–120ACU
19	N70300088	410985	Universal cable kit, complete, for GP ACU
20	N70300076		Angle flange, inlet, for GP 70 – 120 ACU
21	N52700002		Safety grille for GP 40/GP 70
22	N50260399		Fan impeller wheel, 50 Hz
23	N50260395		Fan impeller wheel, 60 Hz
24	N50260244		Fan inlet hood for GP 40/GP 70 ACU
25	N70300147	410986	Cover for maintenance opening, for GP 40/GP 70 ACU

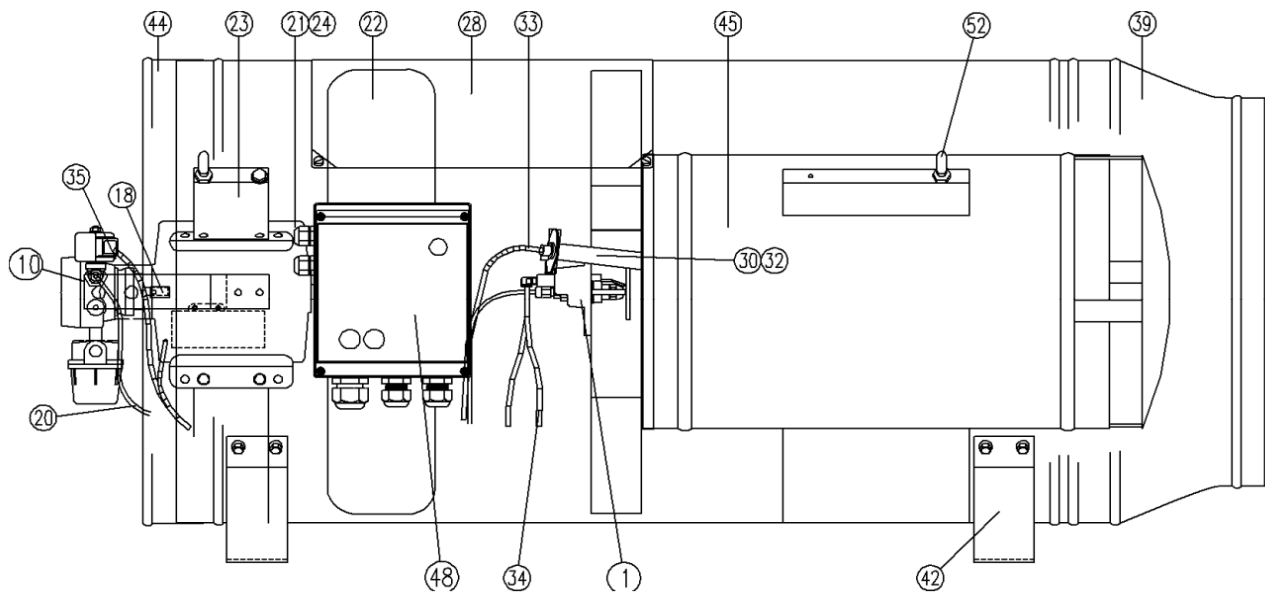


**7.12.4 GP 95 kW ACU**



Pos.	P/N	SKOV no.	Description
1	N50390100	410920	Fan motor f. GP 95 blow heater
2	N70300127		Safety grille for GP 95 ACU fan
3	N52600032	410923	Fan blade 18", 26°, for GP 95/P 60
4	N70300148		Cover for maintenance opening, for GP 95/GP 120
7	N70300102	410817	Vane switch, complete, f. GP 95/120 ACU
8	N70300059		Burner for GP 95/120 without nozzle
10	N50260167		Burner baffle plate for GP 95/GP 120/RGA, Ø 48 mm
11	N50390075		Natural gas nozzle for GP 95
12	N50390076		LPG nozzle for GP 95
13	N70300028		Burner chamber for GP 95 ACU
14			Housing for GP 95 ACU, stainless steel
15	N70300109	410823	Ionization cable kit for GP ACU series
16	N70300066	410810	Ionization rod kit for GP 95/120 ACU
17	N70300105	410820	Ignition cable kit f.GP 95 ACU, complete
18	N70300065	410807	Ignition electrode kit for GP 95/120 ACU
19	N52600008		Electrode holder for GP 95/GP 120
20	N70300095	410813	Safety temp.limit.(STL) f. GP 14–120 ACU
21	N70300005	410924	ACU 121, complete
22	N70300081		Angle flange, outlet, for GP 70 – 120 ACU
23	N50260109	410911	Ignition transformer for GP series
24	N70300085		Flexible connection pipe for GP 95/GP 120 ACU
25	N70300076		Angle flange, inlet, for GP 70 – 120 ACU
26	N70300074	410812	Gas combinat. contr. CG 2 f.GP 70–120ACU
27	N70300088		Universal cable kit, complete, for GP ACU
28	N70300007		Burner Chip Card (BCC) for GP ACU series

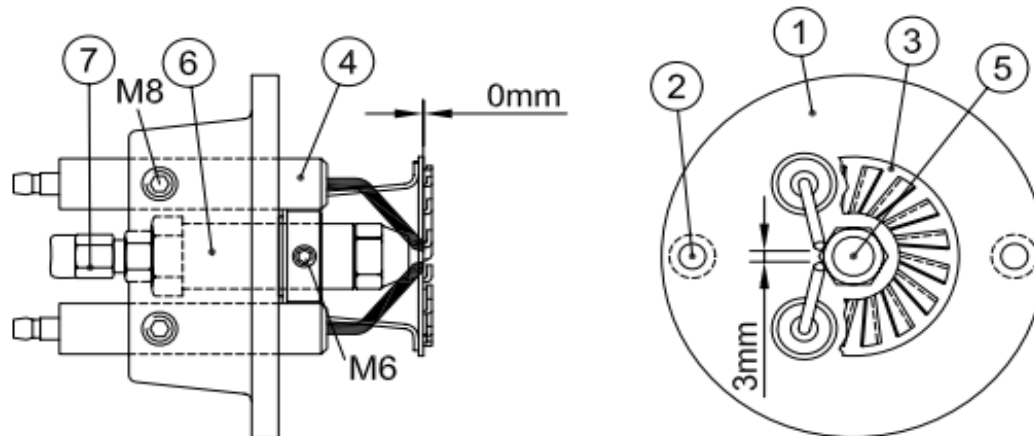
## 7.13 Oil-fired heaters



Pos.	SKOV no.	Description
1		Combustion head complete. See below
10		Pump unit complete. See below
18	N51400018 439773	Pump linkage 10 mm
20	N51100002	Oil conduit $\varnothing$ 4mm
21	N51700008	Motor P 40/P60: Elnor BX 335 EMR 230 V/300W
	N51400021	Motor P 80/P 120: Elnor BX 350 EMR 230 V/440W
	N51400147	Motor P 80/P 120: Elnor BX 350 TR 400 V/440W
22	N51700078	Fan P 40: 16", 30°
	N52600032	Fan P 60: 18", 26°
	N51400022	Fan P 80 - P 120: 20" 28° (60Hz: 22°: N51400260)
23	N51500015	Motor bracket
24	N52800034	Engine capacitor 16 $\mu$ F
28	N51400220	Service hatch
30	N51400032	Tube for photocell horticulture
32	N51400186	Tube for photocell stable
33	N51400275 439783	Photocell stable version QRB1C extra sensitive
	N51400273	Photocell horticulture version QRB1B less sensitive
34	N51400272	Cable to spark plugs P-series 35 cm
	N51400271 439786	Cable to spark plugs P-series 40 cm
35	N51400238	Cable to oil valve
39	N51100015	Outlet Aluminum P40 complete
	N51200004	Outlet Aluminum P 60 (18") complete
	N51400041	Outlet Aluminum P 80 - P 120 (20") complete
40		Mantle
42	N51400046	Bracket mantle (2x)
44	N51100051	Safety grille P 40 (16") complete
	N51200026	Safety grille P 60 (18") complete
	N51400213	Safety grille P 80-P 120 (20") complete

Pos.		SKOV no.	Description
45	N51100007		Combustion chamber P 40 complete
	N51200010		Combustion chamber P 60 complete
	N51400051		Combustion chamber P 80/P100 complete
	N51500003		Combustion chamber P 120 complete
48	N51400196	439113	BCU Oil lid
	N51400197	439114	BCU Oil socket (incl. Eichhoff ignition transformer)

**7.13.1 Combustion head**

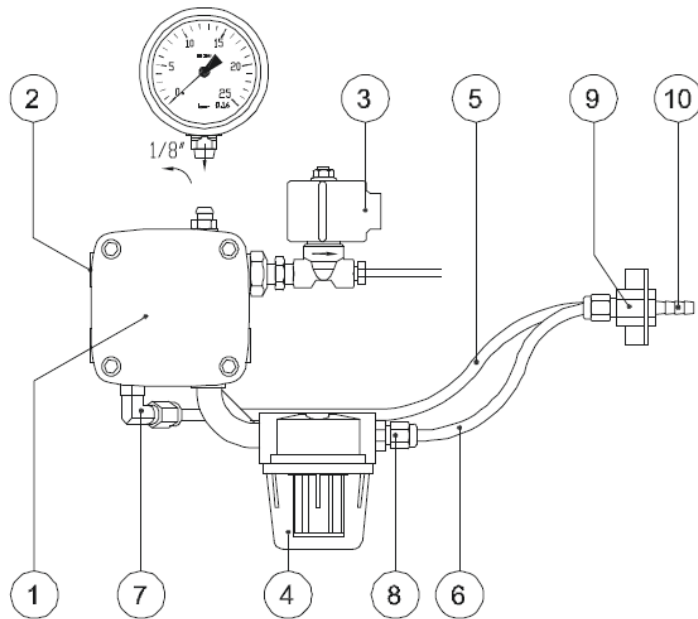


Pos.		SKOV no.	Description
1	N51400004		Aluminum combustion head
2			Combustion head bolt holes
3	N51401005	439759	Orifice
4	N51400008	439785	Ignition electrodes 65 x 14
5	See below		Oil atomizing nozzle
6	N51400161	439758	Nozzle block
7	N51400003		Serto nipple ¼ x 4
	N51400278		Combustion head excl nozzle petrol/diesel

**7.13.1.1 Assembly drawing – spare part list P 40 – P 120**

Heater model		SKOV no.	Make of nozzle	Discharge US-gal/h		Flow ltr/h	Nozzle model
				Kerosene	Diesel		
P 40	N52800079	439777		1,00	1,10	4	60 °S
				P 60	N51100001	439778	1,35
P 80	N51300001	439757		2,00	2,00	8	60 °S
P 100	N51400002			2,50	-	10	60 °S
	N51800001	439779		-	2,25	10	60 °S
P 120	N51500001		2,75	2,75	12	60 °S	

### 7.13.2 Pump unit



Pos.		SKOV no.	Description
1	N51400010	439787	Oil pump Danfoss RSA 060
2			Adjustment screw pump pressure
3	N51400015		Oil valve Rapa
4	N51400128	439791	Oil filter GA 70452 1/4"
	N51400198	439792	Aluminum filter jar
5	N51400219		Return line 6mm
6	N51400218		Supply line 6mm
7	N52800051		Serto 1/4"x6mm coupling 90
8	N52800049		Serto 1/4"x6 coupling
9	N51400216		Serto 1/4" in x 6mm coupling
10	N51400217		Hose connection 1/4" x 6mm

## 7.14 Heat recovery unit

### Heat recovery unit Var. 230 V



439020 Heat recovery unit Var. 230V 50/60 Hz

### Heat recovery unit 1 x 230 V



\*439013 Heat recovery unit 1 x 230V 50/60 Hz

### Heat recovery unit 3x400 V

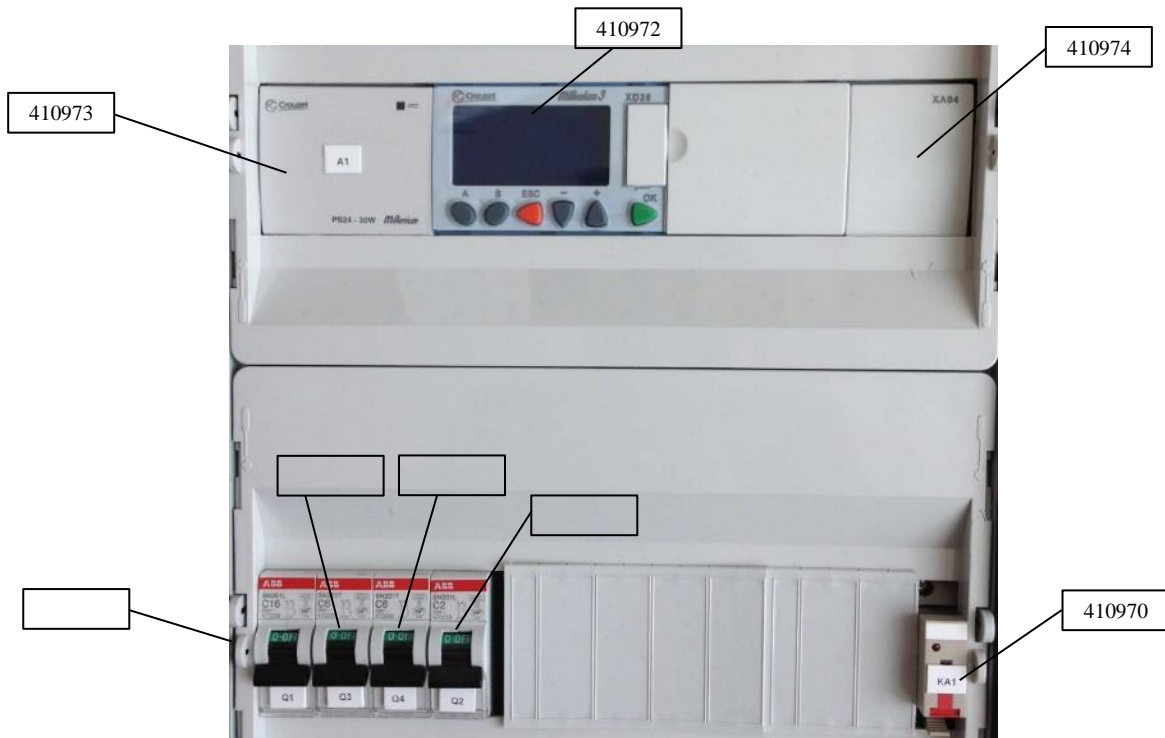


\*439010 Heat recovery unit 3x400V 50Hz

\*The product is phased out

### 7.14.1 Heat recovery unit var. 230 V

#### 439020 Heat recovery unit var. 230V 50/60 Hz



**410966 HRU connection box 230V 50/60Hz Var**  
Complete connection box.

Spare part for:

439020 Heat recovery unit Var. 230V 50/60 Hz

**410970 On/off relay – HRU**

Spare part for:

439020 Heat recovery unit Var. 230V 50/60 Hz

**410971 Base for On/off relay – HRU**

Spare part for:

439020 Heat recovery unit Var. 230V 50/60 Hz

**410972 PLC (Crouzet controller) – HRU**

Spare part for:

439020 Heat recovery unit Var. 230V 50/60 Hz

**410973 Crouzet power supply 24VDC 1.2A**

Spare part for:

439020 Heat recovery unit Var. 230V 50/60 Hz

**410974 Crouzet analogue input XA04**

Spare part for:

439020 Heat recovery unit Var. 230V 50/60 Hz

**439020 Heat recovery unit var. 230V 50/60 Hz**



**410948 HRU fan EC 230V 50/60Hz variable air out**

Spare part for:

439020 Heat recovery unit Var. 230V 50/60 Hz



**409247 HRU fan EC 230V 50/60Hz variable air in**

Spare part for:

439020 Heat recovery unit Var. 230V 50/60 Hz



**410932 Winch motor - heat recovery**

Spare part for:

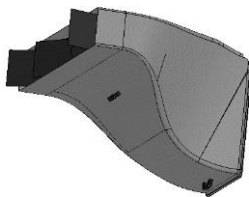
439020 Heat recovery unit Var. 230V 50/60 Hz



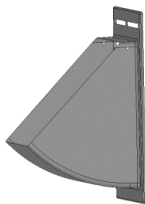
**439015 DOL 12 fitting for heat recovery unit**

Spare part for:

439020 Heat recovery unit Var. 230V 50/60 Hz



**410978 HRU deflector**



**410979 HRU flange for deflector**



**410980 HRU blind shutter**



**410981 HRU hinge for flap**

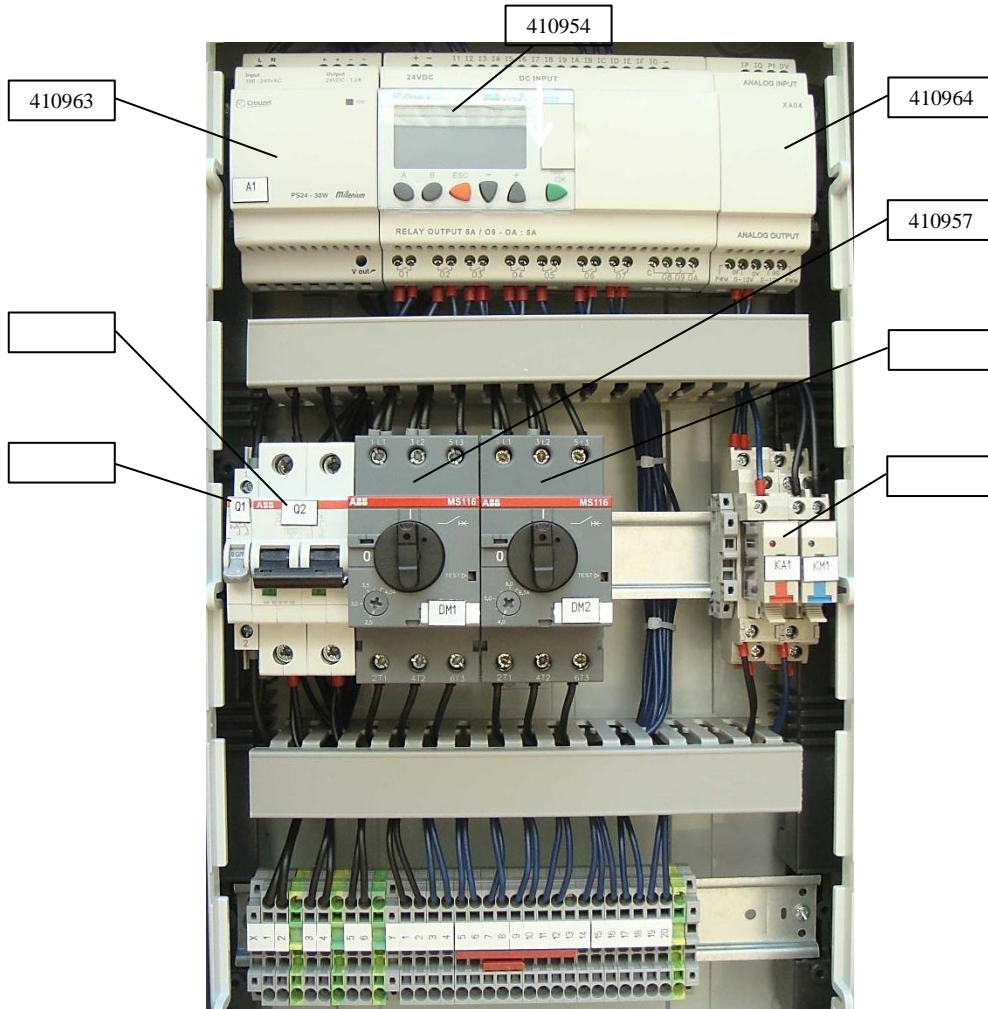
**\*\*410982 HRU duct for flap**

**\*\*The product is being phased out**



**7.14.2 Heat recovery unit 1 x 230 V**

**439013 Heat recovery unit 1 x 230V 50/60 Hz**



**410948 HRU fan EC 230V 50/60Hz variable air out**

Spare part for:

439013 Heat recovery unit 1 x 230V 50/60 Hz



**1732 AC Fan for heat exchanger**

Spare part for:

439013 Heat recovery unit 1 x 230V 50/60 Hz

**439013 Heat recovery unit 1 x 230V 50/60 Hz****410954 PLC (Crouzet controller) – HRU**

Spare part for:

439013 Heat recovery unit 1 x 230V 50/60 Hz

**410957 Protective motor switch - HRU 2.5/4.0 A**

Spare part for:

439013 Heat recovery unit 1 x 230V 50/60 Hz

**410962 Base for relay 1 pole – HRU**

Spare part for:

439013 Heat recovery unit 1 x 230V 50/60 Hz

**410963 Crouzet powersupply 24VDC 1.2A**

Spare part for:

439013 Heat recovery unit 1 x 230V 50/60 Hz

**410964 Crouzet analogue in XA04**

Spare part for:

439013 Heat recovery unit 1 x 230V 50/60 Hz

**410965 SW for crouzet 1 x 230V version x.x**

Spare part for:

439013 Heat recovery unit 1 x 230V 50/60 Hz

**410932 Winch motor - heat recovery**

Spare part for:

439013 Heat recovery unit 1 x 230V 50/60 Hz

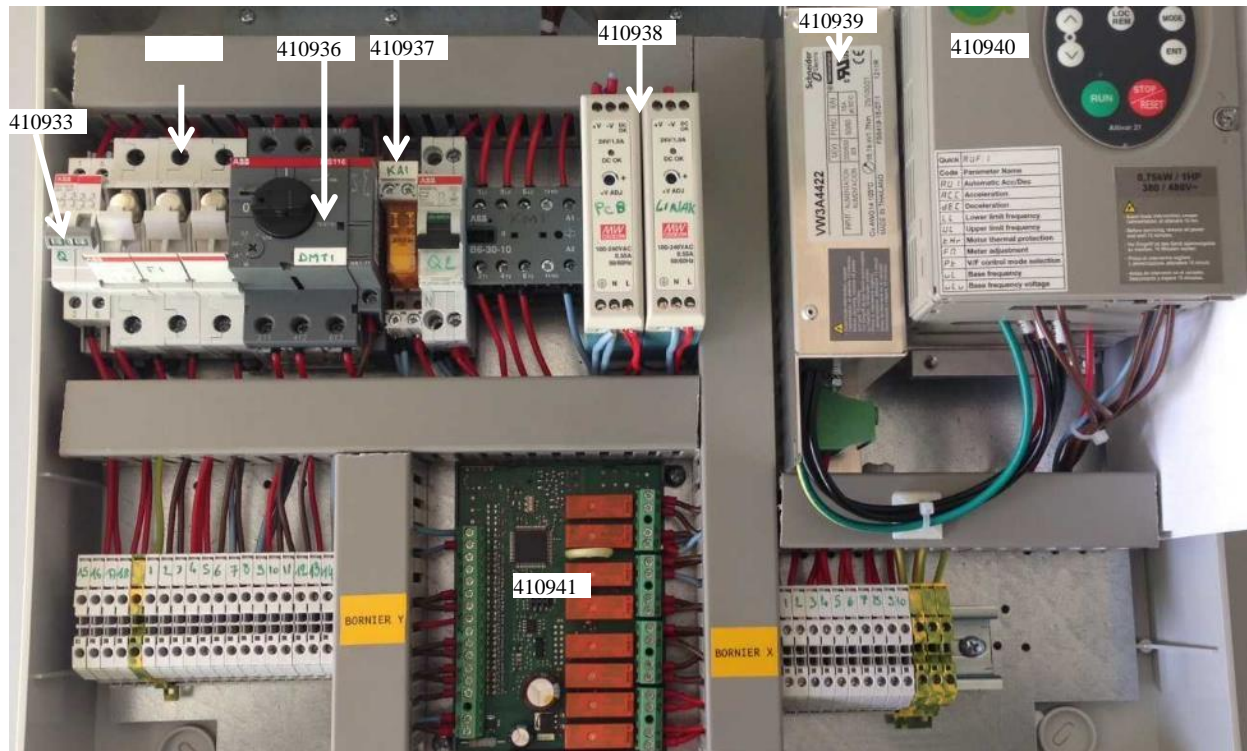
**439015 DOL 12 fitting for heat recovery unit**

Spare part for:

439013 Heat recovery unit 1 x 230V 50/60 Hz

### 7.14.3 Heat recovery unit 3 x 400 V

#### 439010 Heat recovery unit 3x400V 50Hz



**410933 Automation switch 3 pole - heat recovery**

**410936 Hand oper. protect motor sw – HRU 1.6 -2.5 A**

**410937 Relay incl socket 230V - heat recovery**

**410938 Power supply - heat recovery**

**410939 Filter for freq. - heat recovery**

**410940 Frequency converter – HRU ATV21**

**410930 Fan for exhaust - HRU, 400V, 50Hz**

Spare part for:

439010 Heat recovery unit 3x400V 50Hz



**410931 Fan for air supply - HRU, 400V, 50 H**

Spare part for:

439010 Heat recovery unit 3x400V 50Hz



**439010 Heat recovery unit 3x400V 50Hz****410932 Winch motor - heat recovery**

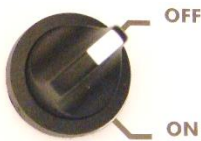
Spare part for:

439010 Heat recovery unit 3x400V 50Hz

**410941 Motorprint spjældmotor - varmegen.**

Spare part for:

410932 Winch motor - heat recovery

**439018 Heat recovery unit - power switch**

Spare part for:

439010 Heat recovery unit 3x400V 50Hz

**439019 Heat recovery unit - lamp**

Spare part for:

439010 Heat recovery unit 3x400V 50Hz

**410952 SW for motor print**

Spare part for:

439010 Heat recovery unit 3x400V 50Hz

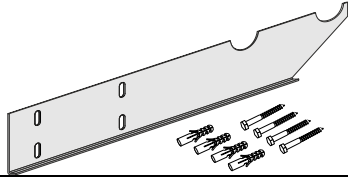
**439015 DOL 12 fitting for heat recovery unit**

Spare part for:

439010 Heat recovery unit 3x400V 50Hz

## 7.15 Accessories and mounting parts

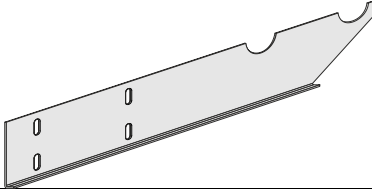
### Mounting parts



#### 439345 Rafter bracket 1½" 2-pipe w/screw (11×60cm)

Includes:

- One 439997 Concrete rafter bracket f. 1½" 2-pipe A2
- Four 570894 Mounting screw M8x60
- Four 419336 Wall dowel 10mm



#### 439997 Concrete rafter bracket f.1½" 2-pipe A2 (11×60cm)



#### 439346 Top bracket 1" 1-pipe incl. bolt & nut

Includes:

- One 439929 Top bracket 1" 1 pipe AISI304
- Two 357085 Set screw M8x30, A2
- Two 352805 Nut M8, A2
- Four 352835 Face plate Ø8.4/Ø17, A2



#### 439929 Top bracket 1" 1 pipe AISI304



#### 439347 Top bracket 1½" 1-pipe incl. bolt & nut

Includes:

- One 439920 Top bracket 1½" 1 pipe AISI304
- Two 357085 Set screw M8x30, A2
- Two 352805 Nut M8, A2
- Four 352835 Face plate Ø8.4/Ø17, A2



#### 439920 Top bracket 1½" 1 pipe AISI304



#### 439351 Shelf bracket 25x35cm incl. cross braces and screws

Includes:

- One 439053 Shelf bracket 25x35cm HG incl. cross braces
- Two 570894 Mounting screw M8x60
- Two 419336 Wall dowel 10mm



**Mounting parts**



**439053 439053 Shelf bracket 25x35cm HG incl. cross braces**



**439352 Shelf bracket 35x45cm incl. cross braces and screws**

Includes:

One 439054 Shelf bracket 35x45cm HG incl. cross braces

Two 570894 Mounting screw M8x60

Two 419336 Wall dowel 10mm



**439054 439054 Shelf bracket 35x45cm HG incl. cross braces**



**439353 Shelf bracket 45x60cm incl. 2-cross braces and screws**

Includes:

One 439050 Shelf bracket 45x60cm HG incl. 2-cross braces

Three 570894 Mounting screw M8x60

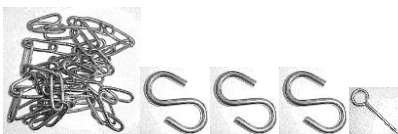
Three 419336 Wall dowel 10mm



**439050 439050 Shelf bracket 45x60cm HG incl. 2-cross braces**



**439405 Ceiling bracket 1" and 1½" 1-pipe**



**439407 Screw kit for ceiling bracket 1" and 1½"**

### Mounting parts



**419326** Eye screw Coach M8x80/22, zinc plated



**439817** S-hook, 6x60, A4



**540052** Stainless chain 3x26mm



**439438** Expansion 1" L.400 mm incl. 2x45°

**439448** Expansion 1½" L.600 mm incl. 2x45°

Spare part for the heating pipe system with pipe coupling.



**439973** Expansion 1" L.400mm incl. 2x45°

**439972** Expansion 1½" L.600 mm incl. 2x45°

Spare part for the heating pipe system with sleeve.



**439941** Aut. air outlet ½"



**439110** Gasket expansion tube 1"



**439111** Gasket expansion tube 1.5"



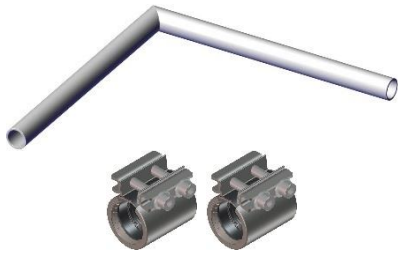
**439432** Elbow 45° 1" galv. w/2 pipe couplings



**439433** Elbow 1" galv. w/2 pipe couplings



**Mounting parts**



**439419 Elbow universal 1" galv. w/2 pipe coupl.**



**439434 Tee 1" galv. w/3 pipe couplings**



**439435 U-bend 150 mm 1" galv. w/2 pipe coupl.**



**439436 Elbow f/air vent 1" galv. w/2 pipe coup.**



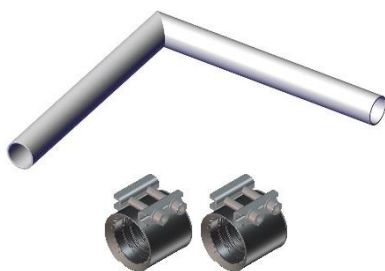
**439437 Tee f/air vent 1" galv. w/2 pipe coupl.**



**439442 Elbow 45° 1½" galv. w/2 pipe couplings**



**439443 Elbow 1½" galv. w/2 pipe couplings**



**439429 Elbow universal 1½ galv. w/2 pipe coupl.**



**439444 Tee 1½" galv. w/3 pipe couplings**

### Mounting parts



439445 U-bend 150 mm 1½" galv. w/2 pipe coupl.



439446 Elbow f/air vent 1½" galv. w/2 pipe cou.



439447 Tee f/air vent 1½" galv. w/2 pipe coup.



439449 Reducer 1½"-1" galv. w/2 pipe coup.



439954 Pack. twine 100°C ball in shrink plastic



372114 Unipak joint paste 360 g



439471 Fl.h. pipe 20mmPn6 incl./oxygen b. 120Mtr

439476 Fl.h. pipe 20mmPn6 incl./oxygen b. 240Mtr

439491 Fl.h. pipe 20mmPn6 incl./oxygen b. 480 Mtr



439975 Tubolit tube coil 22mm 13mm insulated 2m



439940 Bend fixture f/PEX pipe 20mm



439995 Flashing for floor heating – start

**Mounting parts**



**439996** Flashing for floor heating – next



**439947** Forged sleeve G. 1"



**439943** Forged sleeve G. 1½"



**439939** Union G. 1" sleeve-nipple



**439926** Union G. 1½" sleeve-nipple



**439919** Elbow short G. 1" sleeve-sleeve



**439917** Elbow short G. 1 sleeve-nipple



**439914** Elbow short G. 1½" sleeve-sleeve



**439911** Elbow short G. 1½" sleeve-nipple

### Mounting parts



439934 Angle G. 1" sleeve-sleeve



439935 Angle G. 1" sleeve-nipple



439923 Angle G. 1½" sleeve-sleeve



439924 Angle G. 1½" sleeve-nipple



439952 Tee G. 1"



439946 Tee G. 1 - 1 - ½"



439949 Tee galv. 1 - ½"



439951 Tee G. 1½"



439932 Tee G. 1½ - 1½ - ½"

**Mounting parts**



**439945 Tee G. 1 1/2 - 1/2"**



**439942 Bushing G. 1 - 1/2"**



**439936 Bushing G. 1 1/2 - 1/2"**



**439912 Red. sleeve G. 1 1/2 - 1" sleeve-sleeve**



**439915 Red. sleeve G. 1 1/2 - 1" sleeve-nipple**



**437932 Seal 1 1/4" for 3-way heating shunt**

## 8 Interlinking

### DA 175 actuator



- 432110 DA 175-100 actuator 24V
- 432111 DA 175-150 actuator 24V
- 432112 DA 175-300 actuator 24V
- 432113 DA 175-600 actuator 24V
- 432114 DA 175-100 actuator 230V
- 432115 DA 175-150 actuator 230V
- 432116 DA 175-300 actuator 230V
- 432117 DA 175-600 actuator 230V

### DA 75A winch motor 24 V



- \*432005 DA 75-1 winch motor 24V R
- 432035 DA 75A-1 winch motor 24V
- 432036 DA 75A-3 winch motor 24V
- 432037 DA 75A-6 winch motor 24V
- 432041 DA 75A-12 winch motor 24 V

### DA 75A winch motor 230 V



- \*432002 DA 75-1 winch motor 230V
- 432032 DA 75A-1 winch motor 230V
- 432033 DA 75A-3 winch motor 230V
- 432034 DA 75A-6 winch motor 230V
- 432063 DA 75A-12 winch motor 230 V

### DA 75CT curtain motor 230 V



- \*432038 DA 75CT curtain motor w/access.

### DA 74C swivel shutter motor



- 432080 DA 74CO winch motor on/off - new
- 432070 DA 74CV winch motor stepless - new

\*The product is phased out

## 8 Interlinking

### DA 74AV swivel shutter motor 0-10V



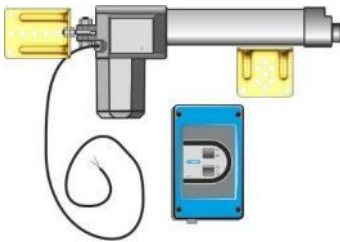
\*432069 DA 74AV swivel shutter motor 0-10V

### DA 74BC winch motor 24V



432081 DA 74BC winch motor incl. wall brack.  
24V

### DA 174 winch motor 24V

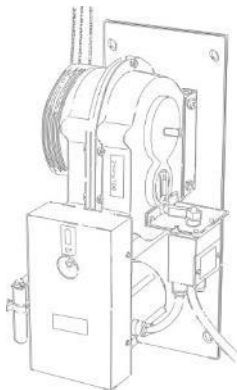


\*432082 DA 174 winch motor 560 mm ON/OFF  
24V

\*432083 DA 174 winch motor 380 mm ON/OFF  
24V

432084 DA 174 winch motor 380 mm stepless  
24V

### DA 20



\*411033 DA 20 with stainless wires

### Mounting parts

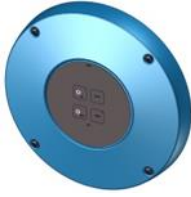


\*The product is phased out



## 8.1 DA 175 actuator

### DA 175 actuator



#### 432985 DA 175 front panel

Spare part for all DA 175 actuators.



#### 432993 DA 175 front foil

Spare part for all DA 175 actuators.



#### 432986 175-100 motor print for control unit

Spare part for all DA 175-100 actuators.



#### 432987 175-150 motor print for control unit

Spare part for all DA 175-150 actuators.



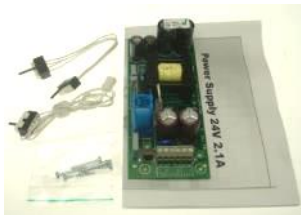
#### 432988 175-300 motor print for control unit

Spare part for all DA 175-300 actuators.



#### 432989 175-600 motor print for control unit

Spare part for all DA 175-600 actuators.



#### 135750 Power supply 24 V 2,1A

Spare part for all DA 175 actuators.



#### 301769 Cord set w. plug, 4 pol, 4x170mm

For connection between power supply and main module.

**DA 175 actuator****432990 175 kit rack for power supply**

Spare part for all DA 175 actuators.

**432991 175 actuator incl. seal**

Spare part for all DA 175 actuators.

**432992 175 kit for cabinet assembly**

Spare part for all DA 175 actuators.

**370145 Cable flange M20 Ø5-12mm IP65, black**

Spare part for all DA 175 actuators.

**560377 DA 175 24V cable gland set**

Spare part for all DA 175 actuators.

**432119 175 kit for double drive**

Spare part for all DA 175 actuators.

**432118 175 mounting plate complete**

Spare part for all DA 175 actuators.

**351195 Plough screw w.horn M10x35, anodized pl**

Spare part for all DA 175 actuators.

**DA 175 actuator****301018 Cable 1.6m 3xAWG18 UL2517**

Spare part for all DA 175 actuators.

**301019 Cable 1.2m 6xAWG18 UL2517, Leoco 6 pol**

Spare part for all DA 175 actuators.

**432999 175/74 cabinet screws 6 pieces****432120 175 Lightning protection**

## 8.2 DA 75A winch motor 24V

### DA 75A winch motor 24V



**432953 DA 75 circuit board 24V R**  
Spare part for all DA 75 24V R models.



**432938 DA 75 switch and wire 24V**  
Spare part for all DA 75 24V R models.



**432924 DA 75 switch 24V/230V**  
Spare part for all DA 75 24V R models.



**520941 Wire with knob 4x10000 ss**  
Spare part for all DA 75A models.



**432925 DA 75A wire pulley set, 1 wire**  
Spare part for all DA 75A models.

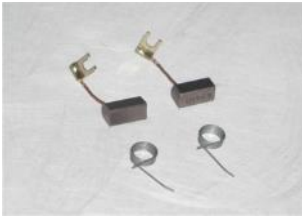


**520803 Disc complete for 2 tracks**  
Spare part for all DA 75A models.



**432914 DA 75X-1 gear motor 24V**  
Spare part for:  
432005 DA 75-1 winch motor 24V R  
432035 DA 75A-1 winch motor 24V

### DA 75A winch motor 24V



#### 432910 DA 75 motor brushes

Spare part for all DA 75 24V models.



#### 432939 DA 75A-X motor 24V



#### 432919 DA 75X-3&6 gear motor 24V

Spare part for:

432036 DA 75A-3 winch motor 24V

432037 DA 75A-6 winch motor 24V

432041 DA 75A-12 winch motor 24 V



#### 432932 DA 75 gearwheel f. gear motor 12/45

Spare part for all DA 75 models.



#### 432933 DA 75 repair set f. DA 75A-1

Spare part for:

432005 DA 75-1 winch motor 24V R

432035 DA 75A-1 winch motor 24V



#### 432934 DA 75 repair set f. DA 75A-3 and DA75A-6

Spare part for:

432036 DA 75A-3 winch motor 24V

432037 DA 75A-6 winch motor 24V

432041 DA 75A-12 winch motor 24 V



#### 432941 DA 75 A worm gearwheel

Spare part for:

432919 DA 75X-3&6 gear motor 24V

**DA 75A winch motor 24V****345440 Felt packing for DA 75**

Spare part for all DA 75 models.

**432959 DA 75A-1 plastic gear**

Spare part for:

432032 DA 75A-1 winch motor 230V

432035 DA 75A-1 winch motor 24V

**432960 DA 75A-3 plastic gear**

Spare part for:

432036 DA 75A-3 winch motor 24V

**432961 DA 75A-6 plastic gear**

Spare part for:

432037 DA 75A-6 winch motor 24V

**432936 DA 75A-6 kit for opgrad. til DA 75A-12****520933 Wire spacer Ø51 x 5**

Spare part for all DA 75A models.

**520920 Wire wheel 160/15.2 x 6 mm**

Spare part for all DA 75A models.

**DA 75A winch motor 24V**

**432928 DA 75A cover complet, 24V**  
Spare part for all DA 75A 24V models.



**432998 DA 75 screw kit for cover 4 pcs.**  
Spare part for all DA 75A 24V models.



**433907 DA 1200 open.spring 8mm,2x71**  
Spare part for:  
432041 DA 75A-12 winch motor 24 V



**432089 Plug for drain valve**  
Spare part for all DA 75 models.



**370101 Sealing plug PG9, black**



### 8.3 DA 75A winch motor 230 V

#### DA 75A winch motor 230 V



**432920 DA 75 circuit board 230V**  
Spare part for all DA 75 230V models.



**432937 DA 75 switch and wire 230V**  
Spare part for all DA 75 230V models.



**432924 DA 75 switch 24V/230V**  
Spare part for all DA 75 230V models.



**432925 DA 75A wire pulley set, 1 wire**  
Spare part for all DA 75 230V models.



**520803 Disc complete for 2 tracks**  
Spare part for all DA 75 230V models.



**432912 DA 75X-1 gear motor 230V**  
Spare part for:  
432002 DA 75-1 winch-motor 230V AC  
432032 DA 75A-1 winch motor 230V



**432917 DA 75X-3&6 gear motor 230V**  
Spare part for:  
432033 DA 75A-3 winch motor 230V  
432034 DA 75A-6 winch motor 230 V

### DA 75A winch motor 230 V



**229305 M-capacitor 3mICroF./440V**

Spare part for all DA 75 230V models.



**432932 DA 75 gearwheel f. gear motor 12/45**

Spare part for all DA 75 models.



**432933 DA 75 repair set f. DA 75A-1**

Spare part for:

432002 DA 75-1 winch-motor 230V AC

432032 DA 75A-1 winch motor 230V



**432934 DA 75 repair set f. DA 75A-3 and DA 75A-6**

Spare part for:

432033 DA 75A-3 winch motor 230V

432034 DA 75A-6 winch motor 230 V



**432941 DA 75 A worm gearwheel**

Spare part for:

432917 DA 75X-3&6 gear motor 230V



**345440 Felt packing for DA 75**

Spare part for all DA 75 230V models.



**432959 DA 75A-1 plastic gear**

Spare part for:

432032 DA 75A-1 winch motor 230V

### DA 75A winch motor 230 V



#### 432960 DA 75A-3 plastic gear

Spare part for:

432033 DA 75A-3 winch motor 230V



#### 432961 DA 75A-6 plastic gear

Spare part for:

432034 DA 75A-6 winch motor 230V



#### 432936 DA 75A-6 kit for opgrad. til DA 75A-12

Spare part for:

432063 DA 75A-12 winch motor 230 V



#### 520941 Wire with knob 4x10000 ss

Spare part for all DA 75A models.



#### 520933 Wire spacer Ø51 x 5

Spare part for all DA 75A models.



#### 520920 Wire wheel 160/15.2 x 6 mm

Spare part for all DA 75A models.



#### 432929 DA 75A cover complet, 230V

Spare part for all DA 75 230V models.

**DA 75A winch motor 230 V**

**432089 Plug for drain valve**  
Spare part for all DA 75 models.



**370101 Sealing plug PG9, black**

## 8.4 DA 75CT curtain motor 230 V

### DA 75CT curtain motor 230 V



432937 DA 75 switch and wire 230V



432924 DA 75 switch 24V/230V



432911 DA 75CT gear motor 230 V



345440 Felt packing for DA 75



432929 DA 75A cover complet, 230V



432935 DA 75 gearwheel - Tunnel

**DA 75CT curtain motor 230 V****432941 DA 75 A worm gearwheel****432089 Plug for drain valve**

## 8.5 DA 74C swivel shutter motor

### DA 74C swivel shutter motor



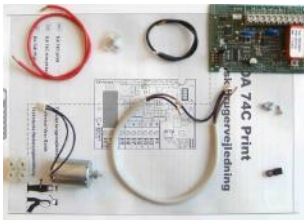
**432975 DA 74C gear motor complete**

Spare part for all DA 74.



**524250 Gear motor ex acc - SB93**

Spare part for all DA 74.



**432976 DA 74C motor incl. circuit board**

Spare part for all DA 74.



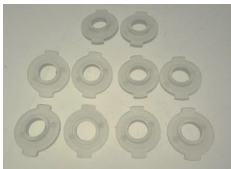
**432952 DA 74 motor**

Spare part for all DA 74.



**432968 DA 74 coupling set for motor (20 pieces)**

Spare part for all DA 74.



**432994 DA 74 gearmotor sealing set 10pcs./set**



**432978 DA 74C magnet set**

Spare part for all DA 74.



**432979 DA 74C cover and gear motor screws**

Spare part for all DA 74.



**522759 Cap for pushbutton**

Spare part for:

432080 DA 74CO winch motor on/off

432070 DA 74CV winch motor stepless



**DA 74C swivel shutter motor****432956 DA 74 cabinet complete**

Spare part for all DA 74.

**560603 DA 74 Screw set for swivel shutter**

Spare part for:

432080 DA 74CO winch motor on/off

432070 DA 74CV winch motor stepless

**523021 O-ring ø40 for DA 74**

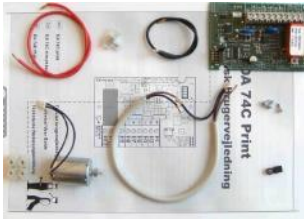
Spare part for:

432080 DA 74CO winch motor on/off

432070 DA 74CV winch motor stepless

## 8.6 DA 74AV swivel shutter motor 0-10 V

### DA 74AV swivel shutter motor 0-10 V



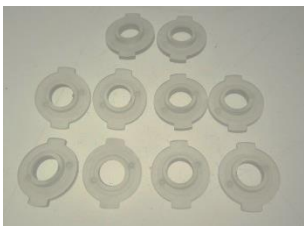
**432976 DA 74C motor incl. circuit board**  
Spare part for alle DA 74.



**432952 DA 74 motor**  
Spare part for alle DA 74.



**432968 DA 74 coupling set for motor (20 pieces)**  
Spare part for alle DA 74.



**432994 DA 74 gearmotor sealing set 10pcs./set**



**432975 DA 74C gear motor complete**  
Spare part for alle DA 74.



**432978 DA 74C magnet set**  
Spare part for alle DA 74.



**432979 DA 74C cover and gear motor screws**  
Spare part for alle DA 74.



**560603 DA 74 Screw set for swivel shutter**  
Spare part for all DA 74AV models.

**DA 74AV swivel shutter motor 0-10 V****522759 Cap for pushbutton**

Spare part for all DA 74AV models.

**523021 O-ring ø40 for DA 74**

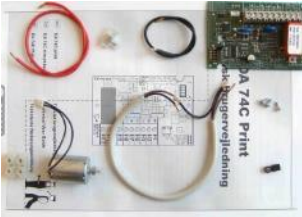
Spare part for all DA 74AV models.

## 8.7 DA 74BC winch motor 24 V

### DA 74BC winch motor 24 V



**432956 DA 74 cabinet complete**



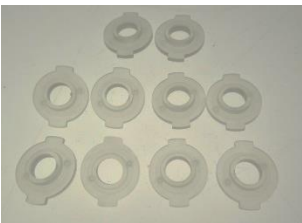
**432976 DA 74C motor incl. circuit board**  
Spare part for alle DA 74.



**432952 DA 74 motor**  
Spare part for alle DA 74.



**432968 DA 74 coupling set for motor (20 pieces)**  
Spare part for alle DA 74.



**432994 DA 74 gearmotor sealing set 10pcs./set**



**432975 DA 74C gear motor complete**  
Spare part for alle DA 74.



**432978 DA 74C magnet set**  
Spare part for alle DA 74.

**DA 74BC winch motor 24 V**

**432979 DA 74C cover and gear motor screws**  
Spare part for alle DA 74.



**432090 DA 74 wall console f. winch**



**560603 DA 74 Screw set for swivel shutter**



**523021 O-ring ø40 for DA 74**

## 8.8 DA 174 winch motor 24 V

### DA 174 winch motor 24 V



**524027 Lin. actuator 560 mm on/off 24V, raw**

Spare part for:

432082 DA 174 winch motor 560 mm ON/OFF 24V



**524028 Lin. actuator 380 mm on/off 24V, raw**

Spare part for:

432083 DA 174 winch motor 380 mm ON/OFF 24V



**524029 Lin. actuator 380 mm stepless 24V, raw**

Spare part for:

432084 DA 174 winch motor 380 mm stepless 24V

432083 DA 174 winch motor 380 mm ON/OFF 24V



**411841 Mounting set DA 174 actuator**

Spare part for all DA 174 models.



**432086 DA 174 control box**

Spare part for all DA 174 models.



**432087 DA 174 control box - cover complete**

Spare part for all DA 174 models.



**432962 DA 174 printed circuit board 24V**

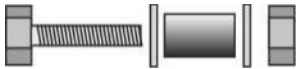
Spare part for all DA 174 models.

**DA 174 winch motor 24 V**

**432938 DA 75 switch and wire 24V**  
Spare part for all DA 75 24V R models.



**413036 Eyebolt M8x30 ss**  
Spare part for all DA 174 models.



**432088 DA 174 screw kit f. actuator**  
Spare part for all DA 174 models.



**8.9 DA 20****DA 20****520942 Wire with knob 5x10000 ss****520941 Wire with knob 4x10000 ss****520933 Wire spacer Ø51 x 5****411912 DA 20 motor w/belt pulley**  
The product is being phased out.**229315 M-capacitor 4uF 400V m/rund ledning****411925 Gear DA 20**

**DA 20****229309 M-capacitor 6,3 microF 400V**

## 8.10 Mounting parts

### Mounting parts



413042 Wire lock 2-4 mm A2



413039 Wire lock 8 mm stainless



413035 Turnbuckle 8 mm ss w. nut



413032 Eye joiner M10 galv.



413044 Shackle M6 A2 short



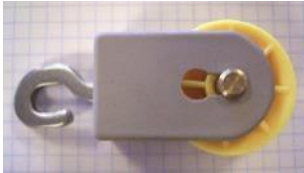
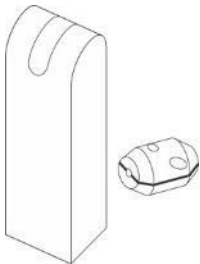
413033 Eye joiner M8 ss



413037 Joiner M8 ss

**Mounting parts****413036 Eyebolt M8x30 ss****415311 Roll 17/32x30 hole 6.1****401935 Carrier roller f/pull rod, built-in inlet****415310 Roll 30/44x11 hole 6.1****415017 Pulley 1:4 ss****415078 Pulley PV 24-108, bracket****415063 Pulley 45 PV 24-108, reel GF30%**

**Mounting parts****415064 Pulley 90 PV 24-108, reel GF30%****415321 Wire wheel GF30% ø90-108x16 hole ø18.2****522648 Protective shield for pulley**  
Order two protective shields per wheel.**415077 Pulley PV 25, bracket****415074 Pulley PV 25 wheel, 90****415082 Swivel nut for PV24-108, M8****504809 Swivel for PV 24-108, M10**

**Mounting parts****401349 All-purpose holder for pull rod****415091 Pulley, bracket f. covered creep area****415089 Pulley Bracket for Wire entry in wall****415085 Pulley PV 24-108, stopunit 45****522034 Pulley w/ 5x48 screw****357700 Screw 6x25, A2, T25, pan****419240 Washer Ø6,4/30x1,5 ss**

**Mounting parts****415033** Coil spring Ø30 x 300 mm stainless**520536** Suspension fitting**413222** Stop bracket for pull rod**504696** Lock for piano wire

To be used together with 352042 Hex screw fully threaded M5x12 A2 DIN933.

**352042** Hex screw fully threaded M5x12 A2 DIN933

To be used for 504696 Lock for piano wire.

**351806** Nut M10 Delta DIN934**419242** Washer ø14/ø75x4 FZV



**Mounting parts**419241 Washer  $\varnothing 11/\varnothing 50 \times 4$  FZV

511149 Threaded portion M10x500, el-galv.

## 9 Climate and production control

### BlueControl 10" controller



- 136750 BlueControl HW, 10" 12RL
- 136751 BlueControl HW, 10" 12RL w/sp.
- 136752 BlueControl HW, 10" 22RL
- 136753 BlueControl HW, 10" 22RL w/sp.
- 136754 BlueControl HW, 10" 32RL
- 136755 BlueControl HW, 10" 32RL w/sp.

### BlueControl 7"



- 136746 BlueControl pig HW, 7" 12RL
- 136747 BlueControl pig HW, 7" 12RL w/sp.
- 136748 BlueControl pig HW, 7" 22RL
- 136749 BlueControl pig HW, 7" 22RL w/sp.

### BlueControl wiring box 10"



- 136757 BlueControl HW, 10" wiring box 22RL
- 136758 BlueControl HW, 10" wiring box 32RL
- 136759 BlueControl HW, 10" wiring box 42RL

### BlueControl poultry software



- 136741 BlueControl poultry SW, CT+Production
- 136742 BlueControl poultry SW, LPV+Production
- 136743 BlueControl poultry SW, Natural+Production
- 136744 BlueControl poultry SW, Tunnel+Production
  
- 136766 BlueControl broiler SW, add-on
- 136767 BlueControl breeder SW, add-on
- 136768 BlueControl layer-L SW, add-on
- 136769 BlueControl layer-M SW, add-on

## 9 Climate and production control

### BlueControl pig software



136770	BlueControl pig-1 SW, LPV MS-1
136771	BlueControl pig-2 SW, LPV MS-1
136772	BlueControl pig-1 SW, LPV MS-3
136773	BlueControl pig-2 SW, LPV MS-3
136774	BlueControl pig-1 SW, LPV MS-8
136775	BlueControl pig-2 SW, LPV MS-8
136776	BlueControl pig-1 SW, Combi-Tunnel MS-16
136777	BlueControl pig-1 SW, Tunnel MS-16
136778	BlueControl pig-1 SW, Central in/out MS-8
136779	BlueControl pig-2 SW, Tunnel MS-8
136780	BlueControl pig-1 SW, Natural
136781	BlueControl pig-1 SW, production-S add-on
136782	BlueControl pig-2 SW, production-S add-on
136783	BlueControl pig-1 SW, production-L add-on
136784	BlueControl pig-2 SW, production-L add-on

### BlueControl insect software



136795	BlueControl insect SW, Central in/out
136796	BlueControl insect system SW

### BlueControl feature software



136797	BlueControl water flushing, feature SW
136798	BlueControl water pressure, feature SW
136799	BlueControl BinTrac, feature SW

## 9 Climate and production control

### DOL 53X climate and production controller



- DOL 534 climate controller
- DOL 535 production controller
- DOL 539 climate and production controller
- DOL 532 T climate controller

### DOL 63X climate and production controller



- DOL 634 climate controller
- DOL 635 production controller
- DOL 639 climate and production controller

### DOL 43X climate controller



- DOL 434 climate controller

### DOL 83X climate controller



- DOL 834 climate controller

### DOL 100 box



- DOL 100 digital box
- DOL 100 water box
- DOL 100 I/O box

## 9 Climate and production control

### DOL 234F climate controller



DOL 234F-1 climate controller  
DOL 234F-2 climate controller

### DOL 234 climate controller



DOL 234-1 climate controller  
DOL 234-2 climate controller

### DOL 339 climate and production controller



DOL 339 climate and production controller  
DOL 339 extension box

### Mini power backup unit



### Spare part suitcase



136988 DOL 63X/53X spare part suitcase  
136945 DOL X3X 10" spare parts suitcase  
\*134831 DOL 234F spare part suitcase

## 9 Climate and production control

---

### DOL 31 speed controllers



130171 DOL 31 speed controller 6.8A

130172 DOL 31 speed controller 16A

### DOL extension box



136470 DOL 530/630 extension box, Small  
10RL

136471 DOL 530/630 extension box, Small  
20RL

---

\*The product is phased out

## 9.1 BlueControl 10" controller

### BlueControl 10" controller



#### 136337 BlueControl, 10" Small panel

Spare part for all BlueControl 10" small box models.

The panel is used as spare part, or it can be used to upgrade an existing controller.

Including display and CPU module with BlueControl software. The software variant can be selected from a list or activated via a SD card or a USB stick.



#### 136338 BlueControl, 10" Large panel

Spare part for all BlueControl 10" large box models.

The panel is used as spare part, or it can be used to upgrade an existing controller.

Including display and CPU module with BlueControl software. The software variant can be selected from a list or activated via a SD card or a USB stick.



#### 136704 BlueControl, 10" Small upgrade panel

A complete panel used for upgrade of controllers with 7" display to 10" display.

The panel can only be used to upgrade existing controllers. It can only be activated with a SD card or USB stick from the old controller with system/settings backup.



#### 136711 BlueControl, 10" Large upgrade panel

A complete panel used for upgrade of controllers with 7" display to 10" display.

The panel can only be used to upgrade existing controllers. It can only be activated with a SD card or USB stick from the old controller with system/settings backup.



#### 344493-A Front foil DOL 10" Touch Small/Big Uni

Spare part for all BlueControl 10" small box models.



#### 134496 SD IMX CPU - 4 GB

Spare part for all BlueControl models.



### BlueControl 10" controller



#### 313022 Flat cable 63 cm 14p

Spare part for all BlueControl models.

For connection between CPU and main module.



#### 136662 Main module CANopen 12RL

Spare part for all BlueControl models.



#### 136659 IO type 3 CANopen 10RL 8AI 8AO

Spare part for all BlueControl models.



#### 132245 CAN bus module

Spare part for all BlueControl models.



#### 135750 Power supply 24 V 2,1A

Spare part for all BlueControl models.



#### 301769 Cord set w. plug, 4 pol, 4x170mm

Spare part for all BlueControl models.

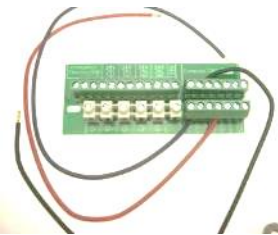
For connection between power supply and main module.

**BlueControl 10" controller**

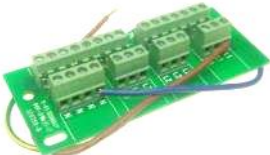
**134702 Speed controller 6.8A**  
Spare part for all BlueControl models.



**132860 Fuse 5x20 mm T8A spare part 10 pieces**  
Spare part for all BlueControl models.



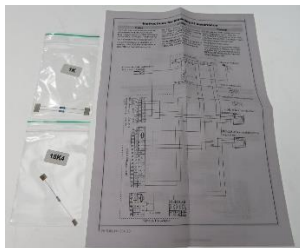
**136944 Ring circuit module Q1 - Q5 – F6**  
Spare part for all BlueControl models.



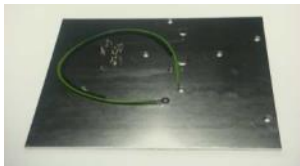
**136943 Loop module L1 - L3**  
Spare part for all BlueControl models.



**134729 4 screws f. front panel**  
Spare part for all BlueControl models.



**560098 Resistance set**  
Spare part for all BlueControl models.



**134713 DOL cooling plate kit**  
Spare part for all BlueControl models.

**BlueControl 10" controller**

**134941 Set for installation in more levels**  
Spare part for all BlueControl models.



**282026 Switch 1p on-off 16(4)A 250V**  
Spare part for all BlueControl models.



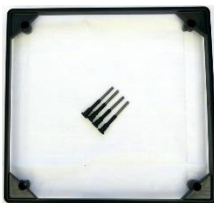
**140200 DOL 12 temperature sensor**  
**140210 DOL 12 temperature sensor, 5 m wire**  
Spare part for all BlueControl models.



**140246 DOL 10 temperature sensor**  
Spare part for all BlueControl models.



**140304 DOL 10 kit for water temperature**  
Sensor for flushing based on temperature.



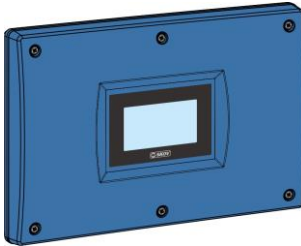
**136524 DOL small extension kit, 20 mm**  
Spare part for all BlueControl models.

## 9.2 BlueControl 7" controller

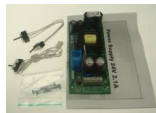
### BlueControl 7" controller



**136951 BlueControl, 7" Small panel ex CPU**  
Spare part for all BlueControl 7" small box models.

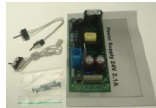


**136952 BlueControl, 7" Large panel ex CPU**  
Spare part for all BlueControl 7" large box models.



**Upgrade from 7" display to 10" display - Small**  
Order following items for upgrade of controllers with 7" display to 10" display.

136704 BlueControl, 10" Small upgrade panel.  
135750 Power supply 24 V 2,1A



**Upgrade from 7" display to 10" display - Large**  
Order following items for upgrade of controllers with 7" display to 10" display.

136711 BlueControl, 10" Large upgrade panel.  
135750 Power supply 24 V 2,1A

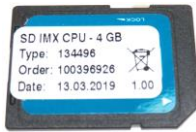


**136806 BlueControl, CPU with 7" display**  
Spare part for all BlueControl 7" models.  
Including display and CPU module with BlueControl software. The software variant can be selected from a list or activated via a SD card or a USB stick.



**344483-A Front foil DOL Touch Small/Big universal**  
Spare part for all BlueControl 7" models.

### BlueControl 7" controller



#### 134496 SD IMX CPU - 4 GB

Spare part for all BlueControl models.



#### 313022 Flat cable 63 cm 14p

Spare part for all BlueControl models.

For connection between CPU and main module.



#### 136662 Main module CANopen 12RL

Spare part for all BlueControl models.



#### 136659 IO type 3 CANopen 10RL 8AI 8AO

Spare part for all BlueControl models.



#### 132245 CAN bus module

Spare part for all BlueControl models.



#### 135750 Power supply 24 V 2,1A

Spare part for all BlueControl models.

### BlueControl 7" controller



**301769 Cord set w. plug, 4 pol, 4x170mm**

Spare part for all BlueControl models.

For connection between power supply and main module.



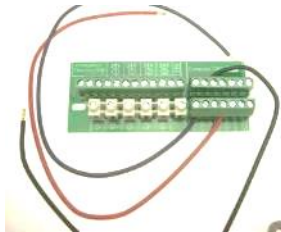
**134702 Speed controller 6.8A**

Spare part for all BlueControl models.



**132860 Fuse 5x20 mm T8A spare part 10 pieces**

Spare part for all BlueControl models.



**136944 Ring circuit module Q1 - Q5 - F6**

Spare part for all BlueControl models.



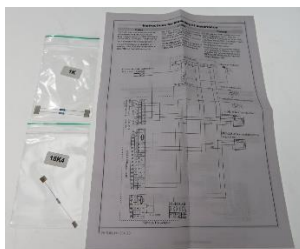
**136943 Loop module L1 - L3**

Spare part for all BlueControl models.



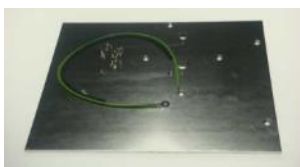
**134729 4 screws f. front panel**

Spare part for all BlueControl models.



**560098 Resistance set**

Spare part for all BlueControl models.



**134713 DOL cooling plate kit**

Spare part for all BlueControl models.



**BlueControl 7" controller**

**134941 Set for installation in more levels**  
Spare part for all BlueControl models.



**282026 Switch 1p on-off 16(4)A 250V**  
Spare part for all BlueControl models.



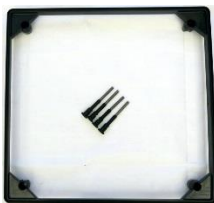
**140200 DOL 12 temperature sensor**  
**140210 DOL 12 temperature sensor, 5 m wire**  
Spare part for all BlueControl models.



**140246 DOL 10 temperature sensor**  
Spare part for all BlueControl models.



**140304 DOL 10 kit for water temperature**  
Sensor for flushing based on temperature.

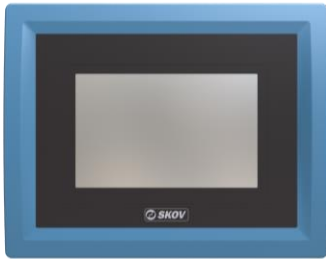


**136524 DOL small extension kit, 20 mm**  
Spare part for all BlueControl models.



### 9.3 BlueControl 10" wiring box

#### BlueControl 10" wiring box



#### 136339 BlueControl, 10" wiring box panel

Including display and CPU module with BlueControl software. The software variant can be selected from a list or activated via a SD card or a USB stick.



#### 136800 BlueControl, 10" WB upgrade panel

The panel can only be used to upgrade existing controllers. It can only be activated with a SD card or USB stick from the old controller with system/settings backup.



#### 344493-A Front foil DOL 10" Touch Small/Big Uni



#### 134496 SD IMX CPU - 4 GB

Spare part for all BlueControl wiring box models.



#### 313022 Flat cable 63 cm 14p

Spare part for all BlueControl wiring box models.

For connection between CPU and main module.



#### 136662 Main module CANopen 12RL

Spare part for all BlueControl wiring box models.

### BlueControl 10" wiring box



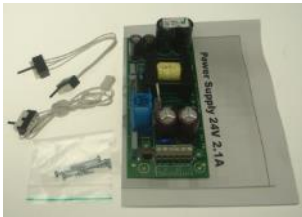
#### 136659 IO type 3 CANopen 10RL 8AI 8AO

Spare part for all BlueControl wiring box models.



#### 132245 CAN bus module

Spare part for all BlueControl wiring box models.



#### 135750 Power supply 24 V 2,1A

Spare part for all BlueControl wiring box models.



#### 301769 Cord set w. plug, 4 pol, 4x170mm

Spare part for all BlueControl wiring box models.

For connection between power supply and main module.



#### 136763 Speed controller x2 kit for wiring box

Spare part for all BlueControl wiring box models.



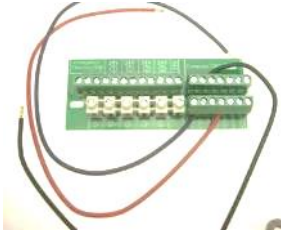
#### 134702 Speed controller 6.8A

Spare part for all BlueControl wiring box models.

### BlueControl 10" wiring box



**132860 Fuse 5x20 mm T8A spare part 10 pieces**  
Spare part for all BlueControl wiring box models.



**136944 Ring circuit module Q1 - Q5 - F6**  
Spare part for all BlueControl wiring box models.



**136943 Loop module L1 - L3**  
Spare part for all BlueControl wiring box models.



**560098 Resistance set**  
Spare part for all BlueControl wiring box models.



**134941 Set for installation in more levels**  
Spare part for all BlueControl wiring box models.



**282026 Switch 1p on-off 16(4)A 250V**  
Spare part for all BlueControl wiring box models.



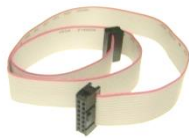
**140200 DOL 12 temperature sensor**  
**140210 DOL 12 temperature sensor, 5 m wire**  
Spare part for all BlueControl wiring box models.

**BlueControl 10" wiring box****140246 DOL 10 temperature sensor**

Spare part for all BlueControl wiring box models.

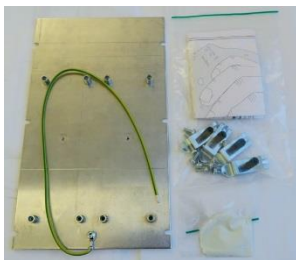
**140304 DOL 10 kit for water temperature**

Sensor for flushing based on temperature.

**136523 Flat cable 1800mm 14p for WB**

Spare part for all BlueControl wiring box models.

For connection between CPU and main module in wiring box.

**136522 DOL WB Cooling plate kit**

Spare part for all BlueControl wiring box models.

**136519 DOL WB mounting parts**

Spare part for all BlueControl wiring box models.

## 9.4 DOL 53X climate and production controller

### DOL 53X climate and production controller



- 136252 DOL 530 Poultry, 7" Small 12RL
- 136224 DOL 530 Poultry, 10" Small 12RL
- 136253 DOL 530 Poultry, 7" Small 12RL w/sp.
- 136225 DOL 530 Poultry, 10" Small 12RL w/sp.
- 136256 DOL 530 Poultry, 7" Large 22RL
- 136226 DOL 530 Poultry, 10" Large 22RL
- 136935 DOL 530 Poultry, 7" Large 22RL I/O-3
- 136937 DOL 530 Poultry, 10" Large 22RL I/O-3
- 136011 DOL 530 Poultry, 7" L 22RL w/sp. I/O-3
- 136013 DOL 530 Poultry, 10" L 22RL w/sp. I/O-3
- 136257 DOL 530 Poultry, 7" Large 22RL w/sp.
- 136227 DOL 530 Poultry, 10" Large 22RL w/sp.
- 136258 DOL 530 Poultry, 7" Large 32RL
- 136228 DOL 530 Poultry, 10" Large 32RL
- 136934 DOL 530 Poultry, 7" Large 32RL I/O-3
- 136936 DOL 530 Poultry, 10" Large 32RL I/O-3
- 136012 DOL 530 Poultry, 7" L 32RL w/sp. I/O-3
- 136014 DOL 530 Poultry, 10" L 32RL w/sp. I/O-3
- 136259 DOL 530 Poultry, 7" Large 32RL w/sp.



- 136015 DOL 530 Poultry, 7" WB 12RL
- 136016 DOL 530 Poultry, 7" WB 12RL w/sp.
- 136254 DOL 530 Poultry, 7" WB 22RL
- 136284 DOL 530 Poultry, 10" WB 22RL
- 136255 DOL 530 Poultry, 7" WB 22RL w/sp.
- 136285 DOL 530 Poultry, 10" WB 22RL w/sp.
- 136260 DOL 530 Poultry, 7" WB 32RL
- 136286 DOL 530 Poultry, 10" WB 32RL
- 136261 DOL 530 Poultry, 7" WB 32RL w/sp.
- 136287 DOL 530 Poultry, 10" WB 32RL w/sp.
- 136262 DOL 530 Poultry, 7" WB 42RL
- 136288 DOL 530 Poultry, 10" WB 42RL
- 136263 DOL 530 Poultry, 7" WB 42RL w/sp.
- 136289 DOL 530 Poultry, 10" WB 42RL w/sp.

**136801 DOL 532 update to latest version**

When updating DOL 53X system software, the FarmOnline Explorer management program must be updated to the latest version.

**136271 DOL 534 LPV, Poultry Climate SW****136272 DOL 534 CT, Poultry Climate SW****136273 DOL 534 T, Poultry Climate SW****136270 DOL 534 Natural, Poultry Climate SW****136277 DOL 535 Breeder-L, Poultry Prod. SW****136278 DOL 535 Breeder-M, Poultry Prod. SW****136283 DOL 535 Breeder-S, Poultry Prod. SW****136276 DOL 535 Broiler, Poultry Production SW****136275 DOL 535 P, Poultry Production SW****136676 DOL 535 Layer-L, Poultry Production SW****136675 DOL 535 Layer-M, Poultry Production SW****136674 DOL 535 Layer-S, Poultry Production SW**



### 9.4.1 DOL 53X climate and production controller

#### DOL 53X climate and production controller



**136806 BlueControl, CPU with 7" display**  
Spare part for all DOL 53X models.



**344493-A Front foil DOL 10" Touch Small/Big Uni**

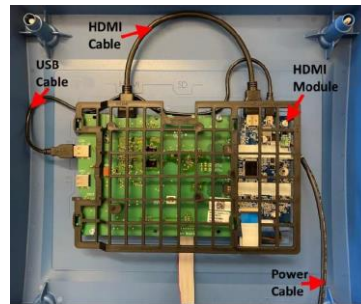


**344483-A Front foil DOL Touch Small/Big universal**



**\*136679 HDMI converter module**

In case of defect HDMI module a complete panel is needed for replacement.



**134493 SD ARM (BFN) CPU - 2GB**

Spare part for all DOL 53X models with ARM CPU.



**134496 SD IMX CPU - 4 GB**

Spare part for all DOL 53X models with IMX CPU.



**DOL 53X climate and production controller****313022 Flat cable 63 cm 14p**

Spare part for all DOL 53X models.

For connection between CPU and main module.

**136662 Main module CANopen 12RL****136659 IO type 3 CANopen 10RL 8AI 8AO**

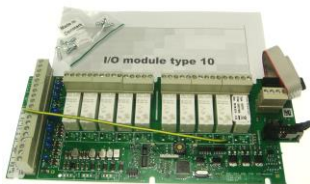
Spare part for all DOL 53X models.

**136660 IO type 15 CANopen 10RL 8AI 8AO**

Spare part for all DOL 53X models.

**136680 Cable adapter 10 pol disable emer. open**

Is used for disabling emergency opening for non-ventilation equipment connected to the I/O type 15 modules.

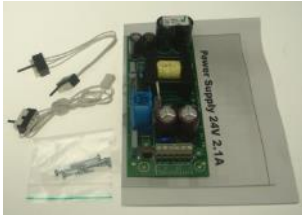
**135707 IO type 10, 10RL 6AI 2AO**

Spare part for all DOL 53X models.

### DOL 53X climate and production controller



**132245 CAN bus module**  
Spare part for all DOL 53X models.



**135750 Power supply 24 V 2,1A**  
Spare part for all DOL 53X models.



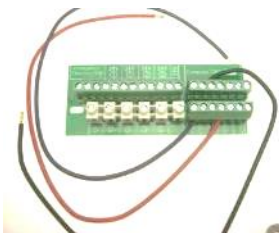
**301769 Cord set w. plug, 4 pol, 4x170mm**  
Spare part for all DOL 53X models.  
For connection between power supply and main module.



**134702 Speed controller 6.8A**  
Spare part for all DOL 53X models.



**132860 Fuse 5x20 mm T8A spare part 10 pieces**  
Spare part for all DOL 53X models.



**136944 Ring circuit module Q1 - Q5 – F6**  
Spare part for all DOL 53X models.



**136943 Loop module L1 - L3**  
Spare part for all DOL 53X models.

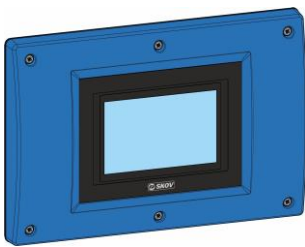
### DOL 53X climate and production controller



**134729 4 screws f. front panel**  
Spare part for all DOL 53X models.



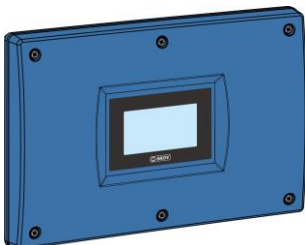
**136337 BlueControl, 10" Small panel**  
Spare part for all DOL 53X 10" Small models.  
Including display and CPU module.



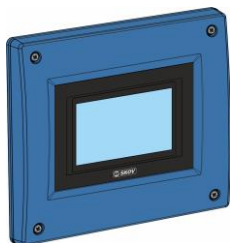
**136338 BlueControl, 10" Large panel**  
Spare part for all DOL 53X 10" Large models.  
Including display and CPU.



**136951 BlueControl, 7" Small panel ex CPU**  
Spare part for all DOL 53X 7" Small models.



**136952 BlueControl, 7" Large panel ex CPU**  
Spare part for all DOL 53X 7" Large models.



**136704 BlueControl, 10" Small upgrade panel**  
A complete panel used for upgrade of controllers with 7" display to 10" display.

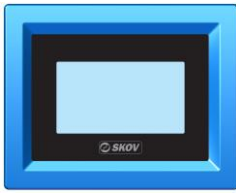
The panel can only be used to upgrade existing controllers. It can only be activated with a SD card or USB stick from the old controller with system/settings backup.



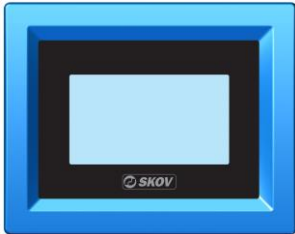
**136711 BlueControl, 10" Large upgrade panel**  
A complete panel used for upgrade of controllers with 7" display to 10" display.

The panel can only be used to upgrade existing controllers. It can only be activated with a SD card or USB stick from the old controller with system/settings backup.

### DOL 53X climate and production controller



**136520 DOL X3X, 7" WB panel ex. CPU**  
Spare part for all DOL 53X 7" wiring boxes.



**136339 DOL X3X, 10" WB panel complete**  
Including display and CPU module.



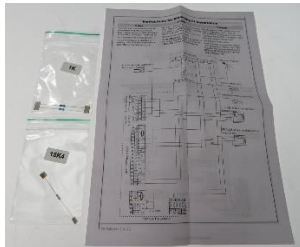
**Upgrade from 7" display to 10" display - Small**  
Order following items for upgrade of controllers with 7" display to 10" display.

136704 BlueControl, 10" Small upgrade panel  
135750 Power supply 24 V 2,1A

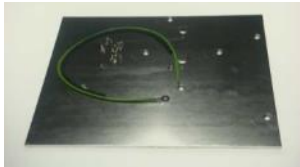


**Upgrade from 7" display to 10" display - Large**  
Order following items for upgrade of controllers with 7" display to 10" display.

136711 BlueControl, 10" Large upgrade panel  
135750 Power supply 24 V 2,1A



**560098 Resistance set**  
Spare part for all DOL 53X models.



**134713 DOL cooling plate kit**  
Spare part for all DOL 53X models.



**134941 Set for installation in more levels**  
Spare part for all DOL 53X models.

### DOL 53X climate and production controller



**282026 Switch 1p on-off 16(4)A 250V**  
Spare part for all DOL 53X models.



**140200 DOL 12 temperature sensor**  
**140210 DOL 12 temperature sensor, 5 m wire**  
Spare part for all DOL 53X models.



**140246 DOL 10 temperature sensor**  
Spare part for all DOL 53X models.



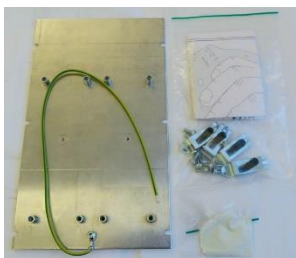
**140304 DOL 10 kit for water temperature**  
Sensor for flushing based on temperature.



**136523 Flat cable 1800mm 14p for WB**  
Spare part for all DOL 53X models.  
For connection between CPU and main module in wiring box.



**136524 DOL small extension kit, 20 mm**  
Spare part for all DOL 53X small models.



**136522 DOL WB Cooling plate kit**  
Spare part for all DOL 53X wiring boxes.

**DOL 53X climate and production controller****136519 DOL WB mounting parts**

Spare part for all DOL 53X wiring boxes.



## 9.5 DOL 63X climate and production controller

### DOL 63X climate and production controller



- 136103 DOL 630 pig, 10" Small 12RL w/sp.
- 136104 DOL 630 pig, 10" Large 22RL
- 136105 DOL 630 pig, 10" Large 22RL w/sp.
- 136114 DOL 630 pig, 10" Large 22RL I/O-3
- 136115 DOL 630 pig, 10" Large 22RL w/sp. I/O-3
- 136106 DOL 630 pig, 10" Large 32RL
- 136116 DOL 630 Pig, 10" Large 32RL I/O-3
- 136107 DOL 630 pig, 10" Large 32RL w/sp.
- 136390 DOL 630 pig, 7" Small 12RL
- 136391 DOL 630 pig, 7" Small 12RL w/sp.
- 136392 DOL 630 pig, 7" Large 22RL
- 136372 DOL 630 Pig, 7" Large 22RL I/O-3
- 136393 DOL 630 pig, 7" Large 22RL w/sp.
- 136373 DOL 630 Pig, 7" Large 22RL w/sp. I/O-3
- 136394 DOL 630 pig, 7" Large 32RL
- 136376 DOL 630 Pig, 7" Large 32RL I/O-3
- 136395 DOL 630 pig, 7" Large 32RL w/sp



- 136231 DOL 634-1 Basic, pig climate system
- 136232 DOL 634-2 Basic, pig climate system
- 136233 DOL 634-1 LPV MS-1, pig climate system
- 136234 DOL 634-2 LPV MS-1, pig climate system
- 136235 DOL 634-1 LPV MS-3, pig climate system
- 136236 DOL 634-2 LPV MS-3, pig climate system
- 136237 DOL 634-1 LPV MS-8, pig climate system
- 136238 DOL 634-2 LPV MS-8, pig climate system
- 136239 DOL 634-1 CT, pig climate system
- 136240 DOL 634-2 CT, pig climate system
- 136241 DOL 634-1 T MS-8, pig climate system
- 136242 DOL 634-1 T MS-16, pig climate system
- 136243 DOL 634 CE MS-8, pig climate system
- 136434 DOL 635-1 Pig Production-S SW
- 136435 DOL 635-2 Pig Production-S SW
- 136438 DOL 635-1 Pig Production-L SW
- 136439 DOL 635-2 Pig Production-L SW



### 9.5.1 DOL 63X climate and production controller

#### DOL 63X climate and production controller



**136806 BlueControl, CPU with 7" display**  
Spare part for all DOL 63X 7" models.



**344493-A Front foil DOL 10" Touch Small/Big Uni**

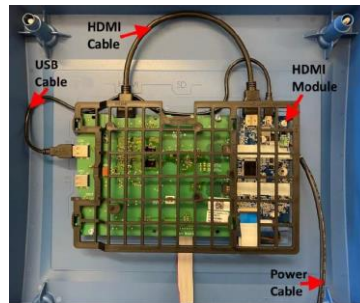


**344483-A Front foil DOL Touch Small/Big universal**



**\*136679 HDMI converter module**

In case of defect HDMI module a complete panel is needed for replacement.



**134493 SD ARM (BFN) CPU - 2GB**

Spare part for all DOL 63X models with ARM CPU.



**134496 SD IMX CPU - 4 GB**

Spare part for all DOL 63X models with IMX CPU.

**DOL 63X climate and production controller****313022 Flat cable 63 cm 14p**

Spare part for all DOL 63X models.

For connection between CPU and main module.

**136662 Main module CANopen 12RL****136659 IO type 3 CANopen 10RL 8AI 8AO**

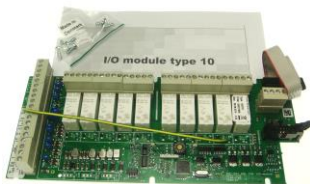
Spare part for all DOL 63X models.

**136660 IO type 15 CANopen 10RL 8AI 8AO**

Spare part for all DOL 63X models.

**136680 Cable adapter 10 pol disable emer. open**

Is used for disabling emergency opening for non-ventilation equipment connected to the I/O type 15 modules.

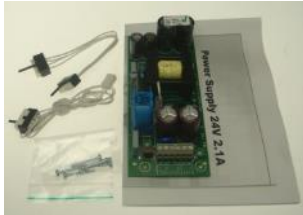
**135707 IO type 10, 10RL 6AI 2AO**

Spare part for all DOL 63X models.

### DOL 63X climate and production controller



**132245 CAN bus module**  
Spare part for all DOL 63X models.



**135750 Power supply 24 V 2,1A**  
Spare part for all DOL 63X models.



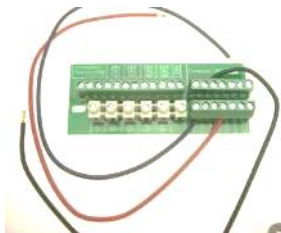
**301769 Cord set w. plug, 4 pol, 4x170mm**  
For connection between power supply and main module.



**134702 Speed controller 6.8A**  
Spare part for all DOL 63X models.



**132860 Fuse 5x20 mm T8A spare part 10 pieces**  
Spare part for all DOL 63X models.



**136944 Ring circuit module Q1 - Q5 – F6**  
Spare part for all DOL 63X models.



**136943 Loop module L1 - L3**  
Spare part for all DOL 63X models.

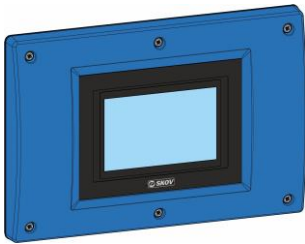
### DOL 63X climate and production controller



**134729 4 screws f. front panel**  
Spare part for all DOL 63X models.



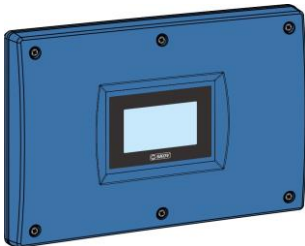
**136337 BlueControl, 10" Small panel**  
Spare part for all DOL 53X 10" Small models.  
Including display and CPU module.



**136338 BlueControl, 10" Large panel**  
Spare part for all DOL 53X 10" Large models.  
Including display and CPU.



**136951 BlueControl, 7" Small panel ex CPU**  
Spare part for all DOL 53X 7" Small models.

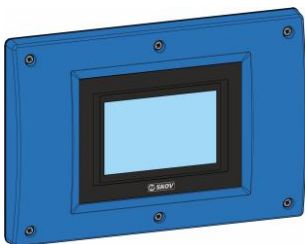


**136952 BlueControl, 7" Large panel ex CPU**  
Spare part for all DOL 53X 7" Large models.



**136704 BlueControl, 10" Small upgrade panel**  
A complete panel used for upgrade of controllers with 7" display to 10" display.

The panel can only be used to upgrade existing controllers. It can only be activated with a SD card or USB stick from the old controller with system/settings backup.



**136711 BlueControl, 10" Large upgrade panel**  
A complete panel used for upgrade of controllers with 7" display to 10" display.

The panel can only be used to upgrade existing controllers. It can only be activated with a SD card or USB stick from the old controller with system/settings backup.

### DOL 63X climate and production controller

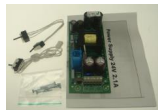


#### Upgrade from 7" display to 10" display - Small

Order following items for upgrade of controllers with 7" display to 10" display.

136704 BlueControl, 10" Small upgrade panel

135750 Power supply 24 V 2,1A



#### Upgrade from 7" display to 10" display - Large

Order following items for upgrade of controllers with 7" display to 10" display.

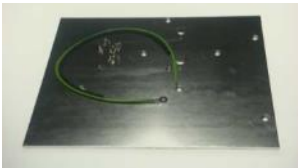
136711 BlueControl, 10" Large upgrade panel

135750 Power supply 24 V 2,1A



#### 560098 Resistance set

Spare part for all DOL 63X models.



#### 134713 DOL cooling plate kit

Spare part for all DOL 63X models.



#### 134941 Set for installation in more levels

Spare part for all DOL 63X small models.



#### 282026 Switch 1p on-off 16(4)A 250V

Spare part for all DOL 63X models.



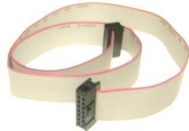
#### 140200 DOL 12 temperature sensor

140210 DOL 12 temperature sensor, 5 m wire

Spare part for all DOL 63X models.

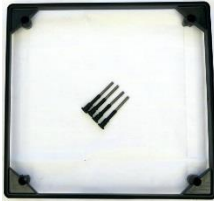
**DOL 63X climate and production controller****140246 DOL 10 temperature sensor**

Spare part for all DOL 63X models.

**136523 Flat cable 1800mm 14p for WB**

Spare part for all DOL 63X models.

For connection between CPU and main module in wiring box.

**136524 DOL small extension kit, 20 mm**

Spare part for all DOL 63X small models.

## 9.6 DOL 43X climate controller

---

### DOL 43X climate controller



136094 DOL 430 controller, 10" Small 12RL

136096 DOL 430 controller, 10" Large 22RL

136098 DOL 430 controller, 10" Large 32RL

136099 DOL 430 controller, 10" Large 12RL cULus

---



## 9.6.1 DOL 43X climate controller

### DOL 43X climate controller

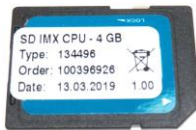
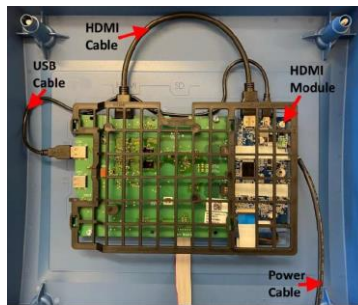


344493-A Front foil DOL 10" Touch Small/Big Uni



\*136679 HDMI converter module

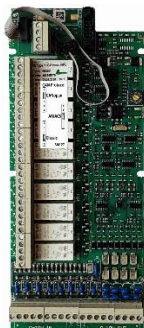
In case of defect HDMI module a complete panel is needed for replacement.



134496 SD IMX CPU - 4 GB



136662 Main module CANopen 12RL



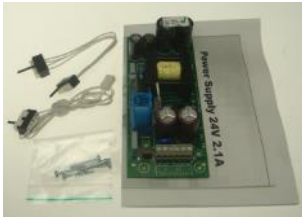
136660 IO type 15 CANopen 10RL 8AI 8AO



136680 Cable adapter 10 pol disable emer. open

Is used for disabling emergency opening for non-ventilation equipment connected to the I/O type 15 modules.

### DOL 43X climate controller



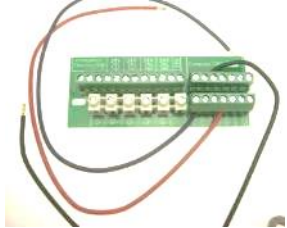
**135750** Power supply 24 V 2,1A



**413075** Power supply 12V DIN rail HDR 15-12



**301769** Cord set w. plug, 4 pol, 4x170mm  
For connection between power supply and main module.



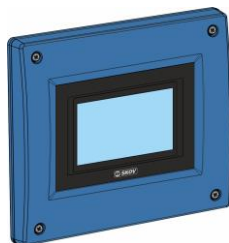
**136944** Ring circuit module Q1 - Q5 - F6



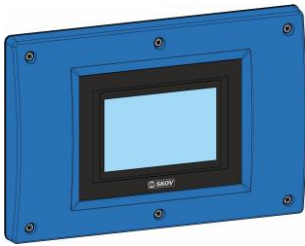
**136943** Loop module L1 - L3



**134729** 4 screws f. front panel



**136337** BlueControl, 10" Small panel  
Spare part for all DOL 53X 10" Small models.  
Including display and CPU module.

**DOL 43X climate controller**

**136338 BlueControl, 10" Large panel**  
Spare part for all DOL 53X 10" Large models.  
Including display and CPU.



**134941 Set for installation in more levels**



**140200 DOL 12 temperature sensor**  
**140210 DOL 12 temperature sensor, 5 m wire**  
The DOL 12 temperature sensor can be used both as an inside and an outside temperature sensor.



**140246 DOL 10 temperature sensor**

## 9.7 DOL 83X climate controller

---

### DOL 83X climate controller



136710 DOL 830 Insect, 10" Large 32RL



136329 DOL 834 Insect Climate SW

136328 DOL 834 CE, Insect Climate SW

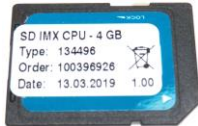
---

### 9.7.1 DOL 83X climate controller

#### DOL 83X climate controller



344493-A Front foil DOL 10" Touch Small/Big Uni



134496 SD IMX CPU - 4 GB

Spare part for all models with IMX CPU.



313022 Flat cable 63 cm 14p

For connection between CPU and main module.



136662 Main module CANopen 12RL



136659 IO type 3 CANopen 10RL 8AI 8AO



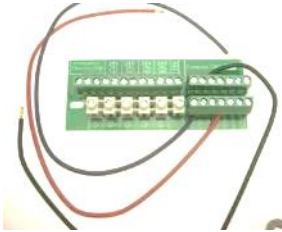
135750 Power supply 24 V 2,1A

### DOL 83X climate controller



#### 301769 Cord set w. plug, 4 pol, 4x170mm

For connection between power supply and main module.



#### 136944 Ring circuit module Q1 - Q5 - F6



#### 136943 Loop module L1 - L3

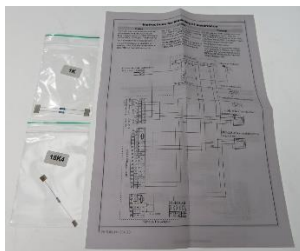


#### 134729 4 screws f. front panel



#### 136338 BlueControl, 10" Large panel

Including display and CPU.



#### 560098 Resistance set



#### 140200 DOL 12 temperature sensor

#### 140210 DOL 12 temperature sensor, 5 m wire

The DOL 12 temperature sensor can be used both as an inside and an outside temperature sensor.

## 9.8 DOL 100 box

---

### DOL 100 digital box



- 130183 DOL 100 Digital 8l box
- 130184 DOL 100 Digital 16l box
- 130191 DOL 100 Digital 24l box
- 130192 DOL 100 Digital 32l box

External I/O box for connection of water meter, egg counter or capacitive sensor.

---

### DOL 100 water box

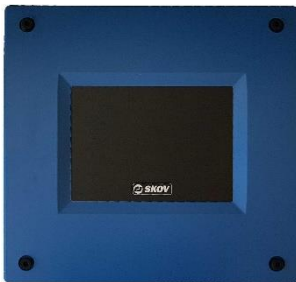


- 130181 DOL 100 Water 8l box
- 130182 DOL 100 Water 16l box

External I/O box for connection of water level sensor.

---

### DOL 100 I/O box



- 130195 DOL 100 I/O box 10 RL
- 130196 DOL 100 I/O box 20 RL

External I/O box is used to control valves used for water flushing.

---



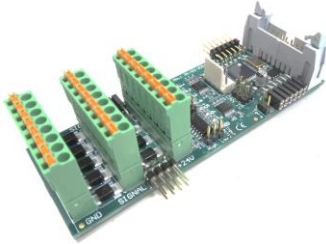
### 9.8.1 DOL 100 digital box

#### DOL 100 digital box

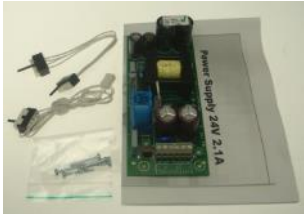
136666 Nano CAN bus coupler



136663 Nano I/O module digital 8I



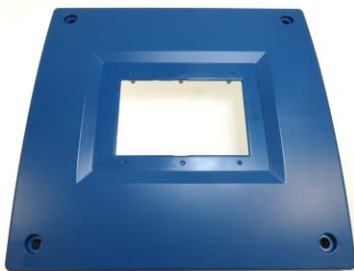
135750 Power supply 24 V 2,1A



344483-A Front foil DOL Touch Small/Big universal



527363 Cabinet cover PMC DOL 5xx Small blue



134729 4 screws for front panel



**9.8.2 DOL 100 water box****DOL 100 water box**

136666 Nano CAN bus coupler



136664 Nano I/O module water 8l



560278 Water level sensor kit



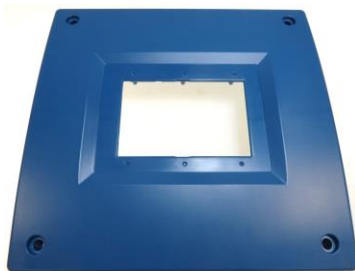
135750 Power supply 24 V 2,1A



344483-A Front foil DOL Touch Small/Big universal



527363 Cabinet cover PMC DOL 5xx Small blue

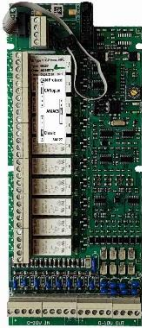


**DOL 100 water box****134729 4 screws for front panel**

### 9.8.3 DOL 100 I/O box

#### DOL 100 I/O box

136660 IO type 15 CANopen 10RL 8AI 8AO



132245 CAN bus module



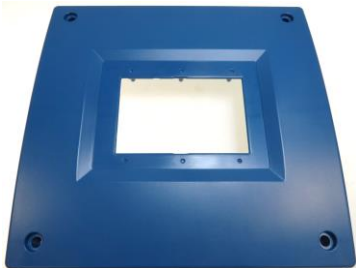
135750 Power supply 24 V 2,1A



344350-A Front foil black PigGrowth SKOV



527363 Cabinet cover PMC DOL 5xx Small blue



134729 4 screws for front panel



## 9.9 DOL 234F climate controller

### DOL 234F-1 climate controller



- \*138000 DOL 234F-1 Climate w/sp SB 12RL MS1
- \*138001 DOL 234F-1 Climate w/sp SB 12RL MS2
- \*138002 DOL 234F-1 Climate w/sp SB 12RL MS3
- \*138018 DOL 234F-1 Climate w/sp LB 22RL MS3
- \*138003 DOL 234F-1 Climate w/sp LB 22RL MS6
- \*138004 DOL 234F-1 Climate w/sp LB 22RL MS8
- \*138009 DOL 234F-1 Climate SB 12RL MS1
- \*138010 DOL 234F-1 Climate SB 12RL MS2
- \*138011 DOL 234F-1 Climate SB 12RL MS3
- \*138019 DOL 234F-1 Climate LB 22RL MS3
- \*138012 DOL 234F-1 Climate LB 22RL MS6
- \*138013 DOL 234F-1 Climate LB 22RL MS8

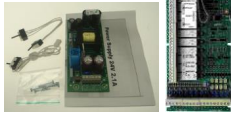
### DOL 234F-2 climate controller



- \*138005 DOL 234F-2 Climate w/sp LB 6RL MS1
- \*138006 DOL 234F-2 Climate w/sp LB 11RL MS2
- \*138007 DOL 234F-2 Climate w/sp LB 11RL MS3
- \*138008 DOL 234F-2 Climate w/sp LB 11RL MS6
- \*138014 DOL 234F-2 Climate LB 6RL MS1
- \*138015 DOL 234F-2 Climate LB 11RL MS2
- \*138016 DOL 234F-2 Climate LB 11RL MS3
- \*138017 DOL 234F-2 Climate LB 11RL MS6

### 9.9.1 DOL 234F-1 climate controller

#### DOL 234F-1 climate controller



#### Upgrade from DOL 234F Small to BlueControl 10" Small

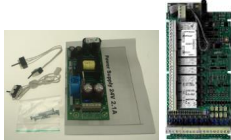
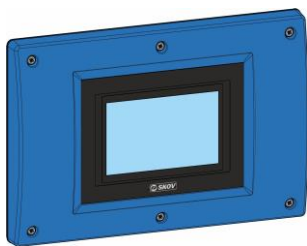
Order following items for upgrade of DOL 234F Small to BlueControl 10" Small.

136337 BlueControl, 10" Small panel

135750 Power supply 24 V 2,1A

136659 IO type 3 CANopen 10RL 8AI 8AO

It is recommended to replace all I/O modules.



#### Upgrade from DOL 234F Large to BlueControl 10" Large

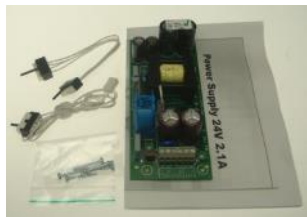
Order following items for upgrade of DOL 234F Large to DOL 630 10" Large.

136338 BlueControl, 10" Large panel

135750 Power supply 24 V 2,1A

136659 IO type 3 CANopen 10RL 8AI 8AO

It is recommended to replace all I/O modules.



#### 135750 Power supply 24 V 2,1A



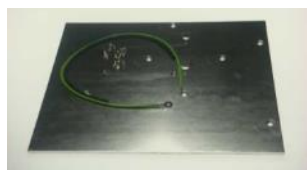
#### 301769 Cord set w. plug, 4 pol, 4x170mm

For connection between power supply and main module.



#### 134702 Speed controller 6.8A

Spare part for all DOL 234F models w/sp.



#### 134713 DOL cooling plate kit

Spare part for all DOL 234F models.

**DOL 234F-1 climate controller**

**282026 Switch 1p on-off 16(4)A 250V**  
Spare part for all DOL 234F models w/sp.



**134903 DOL 234/339 adjustment knob**  
Spare part for all DOL 234F-1 models.



**134902 Encoder - press funktion**  
Spare part for all DOL 234F-1 models.



**134729 4 screws f. front panel**  
Spare part for all DOL 234F-1 models.



**134981 DOL 234F CPU module incl. display and SW**  
Spare part for all DOL 234F models.



**134832 Display 160x160 blue**  
Spare part for all DOL 234F-1 models.



**134493 SD ARM (BFN) CPU - 2GB**  
Spare part for all DOL 234F-1 models.



**136662 Main module CANopen 12RL**  
Spare part for all DOL 234F-1 models.



**DOL 234F-1 climate controller****136659 IO type 3 CANopen 10RL 8AI 8AO**

Spare part for all DOL 234F-1 models.

**134983 DOL 234F-1 panel ex. CPU-SB**

Spare part for:

- 138000 DOL 234F-1 Climate w/sp SB 12RL MS1
- 138001 DOL 234F-1 Climate w/sp SB 12RL MS2
- 138002 DOL 234F-1 Climate w/sp SB 12RL MS3
- 138009 DOL 234F-1 Climate SB 12RL MS1
- 138010 DOL 234F-1 Climate SB 12RL MS2
- 138011 DOL 234F-1 Climate SB 12RL MS3

**134982 DOL 234F-1 panel ex. CPU-LB**

Spare part for:

- 138018 DOL 234F-1 Climate w/sp LB 22RL MS3
- 138003 DOL 234F-1 Climate w/sp LB 22RL MS6
- 138004 DOL 234F-1 Climate w/sp LB 22RL MS8
- 138019 DOL 234F-1 Climate LB 22RL MS3
- 138012 DOL 234F-1 Climate LB 22RL MS6
- 138013 DOL 234F-1 Climate LB 22RL MS8

**313022 Flat cable 63 cm 14p**

Spare part for all DOL 234F-1 models.

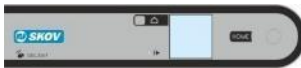
For connection between CPU and main module.

**134989 DOL 234F-1 keyboard complete-SB**

Spare part for:

- 138000 DOL 234F-1 Climate w/sp SB 12RL MS1
- 138001 DOL 234F-1 Climate w/sp SB 12RL MS2
- 138002 DOL 234F-1 Climate w/sp SB 12RL MS3
- 138009 DOL 234F-1 Climate SB 12RL MS1
- 138010 DOL 234F-1 Climate SB 12RL MS2
- 138011 DOL 234F-1 Climate SB 12RL MS3

### DOL 234F-1 climate controller



#### 134988 DOL 234F-1 keyboard complete-LB

Spare part for:

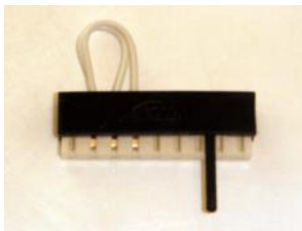
- 138018 DOL 234F-1 Climate w/sp LB 22RL MS3
- 138003 DOL 234F-1 Climate w/sp LB 22RL MS6
- 138004 DOL 234F-1 Climate w/sp LB 22RL MS8
- 138019 DOL 234F-1 Climate LB 22RL MS3
- 138012 DOL 234F-1 Climate LB 22RL MS6
- 138013 DOL 234F-1 Climate LB 22RL MS8



#### 132860 Fuse 5x20 mm T8A spare part 10 pieces

Spare part for:

- 138000 DOL 234F-1 Climate w/sp SB 12RL MS1
- 138001 DOL 234F-1 Climate w/sp SB 12RL MS2
- 138002 DOL 234F-1 Climate w/sp SB 12RL MS3
- 138018 DOL 234F-1 Climate w/sp LB 22RL MS3
- 138003 DOL 234F-1 Climate w/sp LB 22RL MS6
- 138004 DOL 234F-1 Climate w/sp LB 22RL MS8



#### 301770 LEOCO wire set for DOL 234 main

Spare part for all DOL 234F-1 models.



#### 134993 DOL 234F update to latest version

Spare part for all DOL 234F-1 models.



#### 134846 DOL 234F-1/2 program USB - replace

Spare part for all DOL 234F models.



#### 134700 IO type 1, 10RL 6AI 2AO

Spare part for all DOL 234F-1 models.



#### 134941 Set for installation in more levels

Spare part for all DOL 234F-1 models.

**DOL 234F-1 climate controller**

**134792 Mini UPS for clim. comp. Battery back-up**  
Spare part for all DOL 234F-1 models.



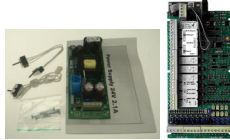
**140200 DOL 12 temperature sensor**

**140210 DOL 12 temperature sensor, 5 m wire**

The DOL 12 temperature sensor can be used both as an inside and an outside temperature sensor.

## 9.9.2 DOL 234F-2 climate controller

### DOL 234F-2 climate controller



#### Upgrade from DOL 234F Small to BlueControl 10" Small

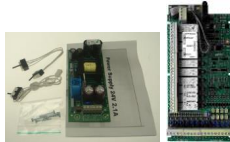
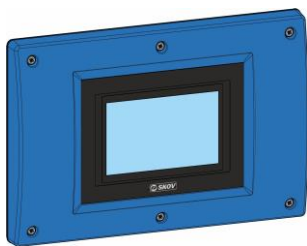
Order following items for upgrade of DOL 234F Small to BlueControl 10" Small.

136337 BlueControl, 10" Small panel

135750 Power supply 24 V 2,1A

136659 IO type 3 CANopen 10RL 8AI 8AO

It is recommended to replace all I/O modules.



#### Upgrade from DOL 234F Large to BlueControl 10" Large

Order following items for upgrade of DOL 234F Large to BlueControl 10" Large.

136338 BlueControl, 10" Large panel

135750 Power supply 24 V 2,1A

136659 IO type 3 CANopen 10RL 8AI 8AO

It is recommended to replace all I/O modules.



#### 135750 Power supply 24 V 2,1A



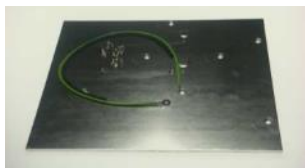
#### 301769 Cord set w. plug, 4 pol, 4x170mm

For connection between power supply and main module.



#### 134702 Speed controller 6.8A

Spare part for all DOL 234F models w/sp.



#### 134713 DOL cooling plate kit

Spare part for all DOL 234F models.

**DOL 234F-2 climate controller**

**282026 Switch 1p on-off 16(4)A 250V**  
Spare part for all DOL 234F models w/sp.



**134903 DOL 234/339 adjustment knob**  
Spare part for all DOL 234F-2 models.



**134902 Encoder - press funktion**  
Spare part for all DOL 234F-2 models.



**134729 4 screws f. front panel**  
Spare part for all DOL 234F-2 models.



**134981 DOL 234F CPU module incl. display and SW**  
Spare part for all DOL 234F models.



**134832 Display 160x160 blue**  
Spare part for all DOL 234F-2 models.



**134493 SD ARM (BFN) CPU - 2GB**  
Spare part for:  
134981 DOL 234F CPU module incl. display and SW



**136662 Main module CANopen 12RL**  
Spare part for all DOL 234F-2 models.

### DOL 234F-2 climate controller



**136659 IO type 3 CANopen 10RL 8AI 8AO**  
Spare part for all DOL 234F-2 models.



**134984 DOL 234F-2 panel ex. CPU-LB**  
Spare part for all DOL 234F-2 models.



**313022 Flat cable 63 cm 14p**  
Spare part for all DOL 234F-2 models.  
For connection between CPU and main module.



**134994 DOL 234F-2 keyboard complete-LB**  
Spare part for all DOL 234F-2 models.



**132860 Fuse 5x20 mm T8A spare part 10 pieces**  
Spare part for:  
138005 DOL 234F-2 Climate w/sp LB 6RL MS1  
138006 DOL 234F-2 Climate w/sp LB 11RL MS2  
138007 DOL 234F-2 Climate w/sp LB 11RL MS3  
138008 DOL 234F-2 Climate w/sp LB 11RL MS6



**301770 LEOCO wire set for DOL234 main**  
Spare part for all DOL 234F-2 models.



**134993 DOL 234F update to latest version**  
Spare part for all DOL 234F-2 models.



**134846 DOL 234F-1/2 program USB - replace**  
Spare part for all DOL 234F models.



**DOL 234F-2 climate controller****134700 IO type 1, 10RL 6AI 2AO**

Spare part for all DOL 234F-2 models.

**134941 Set for installation in more levels**

Spare part for all DOL 234F-2 models.

**134792 Mini UPS for clim. comp. Battery back-up**

Spare part for all DOL 234F-2 models.

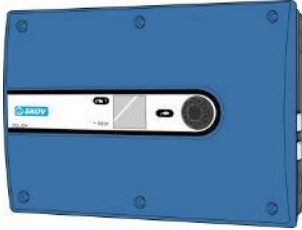
**140200 DOL 12 temperature sensor****140210 DOL 12 temperature sensor, 5 m wire**

The DOL 12 temperature sensor can be used both as an inside and an outside temperature sensor.



## 9.10 DOL 234 climate controller

### DOL 234-1 climate controller



- \*134001 DOL 234-1 climate w/sp SB 5RL MS1 ENv5
- \*134021 DOL 234-1 climate w/sp SB 10RL MS2 ENv5
- \*134041 DOL 234-1 climate w/sp SB 10RL MS3 ENv5
- \*134061 DOL 234-1 climate w/sp LB 20RL MS6 ENv5
- \*134081 DOL 234-1 climate w/sp LB 20RL MS8 ENv5
  
- \*134161 DOL 234-1 climate SB 5RL MS1 ENv5
- \*134181 DOL 234-1 climate SB 10RL MS2 ENv5
- \*134201 DOL 234-1 climate SB 10RL MS3 ENv5
- \*134221 DOL 234-1 climate LB 20RL MS6 ENv5
- \*134241 DOL 234-1 climate LB 20RL MS8 ENv5

### DOL 234-2 climate controller

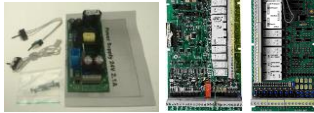


- \*134101 DOL 234-2 climate w/sp LB 5RL MS1 ENv5
- \*134121 DOL 234-2 climate w/sp LB 10RL MS2 ENv5
- \*134141 DOL 234-2 climate w/sp LB 10RL MS3 ENv5
- \*134321 DOL 234-2 climate w/sp LB 10RL MS6 ENv5
  
- \*134261 DOL 234-2 climate LB 5RL MS1 ENv5
- \*134281 DOL 234-2 climate LB 10RL MS2 ENv5
- \*134301 DOL 234-2 climate LB 10RL MS3 ENv5
- \*134341 DOL 234-2 climate LB 10RL MS6 ENv5

\*The product is phased out

### 9.10.1 DOL 234-1 climate controller

#### DOL 234-1 climate controller



#### Upgrade from DOL 234 Small to BlueControl 10" Small

Order following items for upgrade of DOL 234 Small to DOL 630 10" Small.

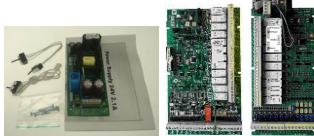
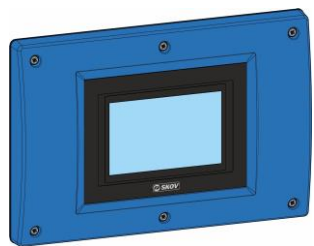
136337 BlueControl, 10" Small panel

135750 Power supply 24 V 2,1A

136662 Main module CANopen 12RL

136659 IO type 3 CANopen 10RL 8AI 8AO

It is recommended to replace all I/O modules.



#### Upgrade from DOL 234 Large to BlueControl 10" Large

Order following items for upgrade of DOL 234 Large to DOL 630 10" Large.

136338 BlueControl, 10" Large panel

135750 Power supply 24 V 2,1A

136662 Main module CANopen 12RL

136659 IO type 3 CANopen 10RL 8AI 8AO

It is recommended to replace all I/O modules.



#### 135750 Power supply 24 V 2,1A

Spare part for all DOL 234-1 models.



#### 301769 Cord set w. plug, 4 pol, 4x170mm

For connection between power supply and main module.



#### 134901 Basis module 10RL

Spare part for all DOL 234-1 models.



#### 134700 IO type 1, 10RL 6AI 2AO

Spare part for all DOL 234-1 models.

### DOL 234-1 climate controller



#### 134941 Set for installation in more levels

Spare part for all DOL 234-1 models.



#### 134912 DOL 234 CPU module w. display

Spare part for all DOL 234-1 models.

The product is being phased out.



#### 134958 DOL 224/234 display incl. plug

Spare part for all DOL 234-1 models.



#### 134908 DOL 234-1 Keyboard complete - SB

Spare part for:

- 134000 DOL 234-1 climate w/sp SB 5RL MS1 DA v5
- 134020 DOL 234-1 climate w/sp SB 10RL MS2 DA v5
- 134040 DOL 234-1 climate w/sp SB 10RL MS3 DA v5
- 134160 DOL 234-1 climate SB 5RL MS1 DA v5
- 134180 DOL 234-1 climate SB 10RL MS2 DA v5
- 134200 DOL 234-1 climate SB 10RL MS3 DA v5



#### 134910 DOL 234-1 Keyboard complete - LB

Spare part for:

- 134060 DOL 234-1 climate w/sp LB 20RL MS6 DA v5
- 134080 DOL 234-1 climate w/sp LB 20RL MS8 DA v5
- 134220 DOL 234-1 climate LB 20RL MS6 DA v5
- 134240 DOL 234-1 climate LB 20RL MS8 DA v5



#### 134903 Adjustment knob

Spare part for all DOL 234-1 models.

**DOL 234-1 climate controller**

**134902 Encoder - press funktion**  
Spare part for all DOL 234-1 models.



**134729 4 screws f. front panel**  
Spare part for all DOL 234-1 models.



**134702 Speed controller 6.8A**  
Spare part for all DOL 234-1 models.



**282026 Switch 2p on-off 16(4)A 250V**  
Spare part for all DOL 234-1 models.



**137101 DOL 234 update to latest version**  
Spare part for all DOL 234-1 models.  
To be used on software versions from 5.4.x.  
Update to the newest software version. After the update all languages will be available.  
The product is being phased out.



**137123 DOL 234 up. latest version - 20 clips**  
Spare part for all DOL 234-1 models.  
To be used on software versions from 5.4.x.  
Update to the newest software version. After the update all languages will be available.



**137124 DOL 234 upd. latest f. 5.3 DA,EN,DE,20x**  
Spare part for all DOL 234-1 models.  
To be used on software versions up to 5.3.x.  
Update to the newest software version. After the update the languages DA, EN and DE will be available.  
The product is being phased out.

### DOL 234-1 climate controller



**132860 Fuse 5x20 mm T8A spare part 10 pieces**

Spare part for:

- 134000 DOL 234-1 climate w/sp SB 5RL MS1 DAV5
- 134020 DOL 234-1 climate w/sp SB 10RL MS2 DAV5
- 134040 DOL 234-1 climate w/sp SB 10RL MS3 DAV5
- 134060 DOL 234-1 climate w/sp LB 20RL MS6 DAV5
- 134080 DOL 234-1 climate w/sp LB 20RL MS8 DAV5



**132244 Data network module w. CAN bus**

Spare part for all DOL 234-1 models.



**340937 DIN rail L=64mm incl. holes Ø4**

Spare part for all DOL 234-1 models.



**134713 DOL cooling plate kit**



**301770 LECO wire set for DOL234 main**



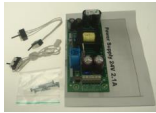
**140200 DOL 12 temperature sensor**

**140210 DOL 12 temperature sensor, 5 m wire**

The DOL 12 temperature sensor can be used both as an inside and an outside temperature sensor.

## 9.10.2 DOL 234-2 climate controller

### DOL 234-2 climate controller



#### Upgrade from DOL 234 Small to BlueControl 10" Small

Order following items for upgrade of DOL 234 Small to DOL 630 10" Small.

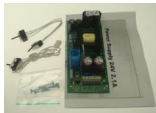
136337 BlueControl, 10" Small panel

135750 Power supply 24 V 2,1A

136662 Main module CANopen 12RL

136659 IO type 3 CANopen 10RL 8AI 8AO

It is recommended to replace all I/O modules.



#### Upgrade from DOL 234 Large to BlueControl 10" Large

Order following items for upgrade of DOL 234 Large to DOL 630 10" Large.

136338 BlueControl, 10" Large panel

135750 Power supply 24 V 2,1A

136662 Main module CANopen 12RL

136659 IO type 3 CANopen 10RL 8AI 8AO

It is recommended to replace all I/O modules.



#### 135750 Power supply 24 V 2,1A

Spare part for all DOL 234-2 models.



#### 301769 Cord set w. plug, 4 pol, 4x170mm

For connection between power supply and main module.

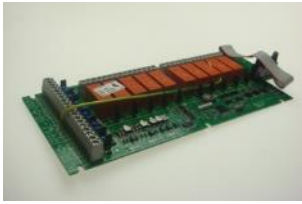


#### 134901 Basis module 10RL

Spare part for all DOL 234-2 models.



### DOL 234-2 climate controller



#### 134700 IO type 1, 10RL 6AI 2AO

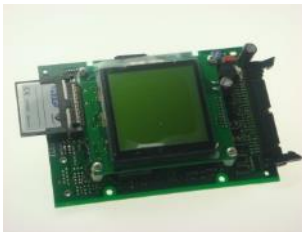
Spare part for:

- 134120 DOL 234-2 climate w/sp LB 10RL MS2 DAv5
- 134140 DOL 234-2 climate w/sp LB 10RL MS3 DAv5
- 134320 DOL 234-2 climate w/sp LB 10RL MS6 DAv5
- 134280 DOL 234-2 climate LB 10RL MS2 DAv5
- 134300 DOL 234-2 climate LB 10RL MS3 DAv5
- 134340 DOL 234-2 climate LB 10RL MS6 DAv5



#### 134941 Set for installation in more levels

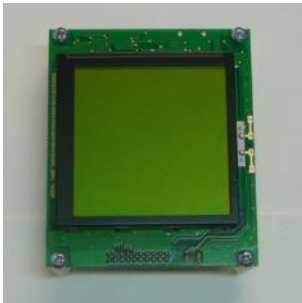
Spare part for all DOL 234-2 models.



#### 134912 DOL 234 CPU module w. display

Spare part for all DOL 234-2 models.

The product is being phased out.



#### 134958 DOL 224/234 display incl. plug

Spare part for all DOL 234-2 models.



#### 134911 DOL 234-2 Keyboard complete - LB

Spare part for all DOL 234-2 models.



#### 134903 Adjustment knob

Spare part for all DOL 234-2 models.



**DOL 234-2 climate controller**

**134902 Encoder - press funktion**  
Spare part for all DOL 234-2 models.



**134729 4 screws f. front panel**  
Spare part for all DOL 234-2 models.



**134702 Speed controller 6.8A**  
Spare part for all DOL 234-2 models.



**282026 Switch 2p on-off 16(4)A 250V**  
Spare part for all DOL 234-2 models.



**137101 DOL 234 update to latest version**  
Spare part for all DOL 234-2 models.  
The product is being phased out.



**137123 DOL 234 up. latest version - 20 clips**  
Spare part for all DOL 234-2 models.



**137124 DOL 234 upd. latest f. 5.3 DA,EN,DE,20x**  
Spare part for all DOL 234-2 models.  
The product is being phased out.

### DOL 234-2 climate controller



**132860 Fuse 5x20 mm T8A spare part 10 pieces**

Spare part for:

- 134100 DOL 234-2 climate w/sp LB 5RL MS1 DAv5
- 134120 DOL 234-2 climate w/sp LB 10RL MS2 DAv5
- 134140 DOL 234-2 climate w/sp LB 10RL MS3 DAv5
- 134320 DOL 234-2 climate w/sp LB 10RL MS6 DAv5



**132244 Data network module w. CAN bus**

Spare part for all DOL 234-2 models.



**340937 DIN rail L=64mm incl. holes Ø4**

Spare part for all DOL 234-2 models.



**134713 DOL cooling plate kit**



**301770 LEOCO wire set for DOL234 main**



**140200 DOL 12 temperature sensor**

**140210 DOL 12 temperature sensor, 5 m wire**

The DOL 12 temperature sensor can be used both as an inside and an outside temperature sensor.

## 9.11 DOL 339 climate and production controller

### DOL 339 climate and production controller - Large



- \*136301 DOL 339T Large 20RL
- \*136303 DOL 339T+P Large 20RL
- \*136305 DOL 339LPV Large 20RL
- \*136307 DOL 339LPV Large 20RL w.sp.
- \*136309 DOL 339LPV+P Large 20RL
- \*136311 DOL 339LPV+P Large 20RL w.sp.
- \*136313 DOL 339CT Large 20RL
- \*136315 DOL 339CT Large 20RL w.sp.
- \*136317 DOL 339CT+P Large 20RL
- \*136319 DOL 339CT+P Large 20RL w.sp.
- \*136320 DOL 339CT+P X-large 30RL w.sp.
- \*136325 DOL 339LPV+P X-Large 30RL w.sp.
- \*136322 DOL 339CT+P X-large 40 RL

### DOL 339 climate and production controller - Small



- \*136300 DOL 339T Small 10RL
- \*136302 DOL 339T+P Small 10 RL
- \*136304 DOL 339LPV Small 10RL
- \*136306 DOL 339LPV Small 10RL w.sp.
- \*136308 DOL 339LPV+P Small 10RL
- \*136310 DOL 339LPV+P Small 10RL w.sp.
- \*136312 DOL 339CT Small 10RL
- \*136314 DOL 339CT Small 10RL w.sp.
- \*136316 DOL 339CT+P Small 10RL
- \*136318 DOL 339CT+P Small 10RL w.sp.

### DOL 339 extension box

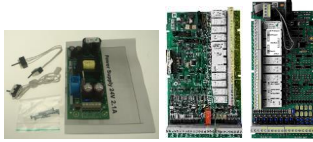
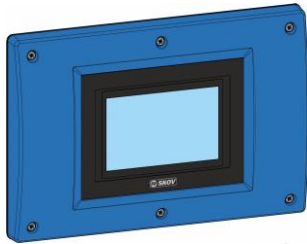


- \*136472 DOL Ext box Large 30RL

\*The product is phased out

### 9.11.1 DOL 339 climate and production controller – Large

#### DOL 339 climate and production controller - Large



#### Upgrade from DOL 339 Large to BlueControl 10" Large

Order following items for upgrade of DOL 339 Large to BlueControl 10" Large.

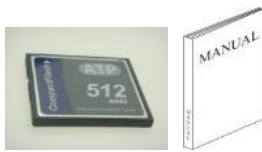
136338 BlueControl, 10" Large panel

135750 Power supply 24 V 2,1A

136662 Main module CANopen 12RL

136659 IO type 3 CANopen 10RL 8AI 8AO

It is recommended to replace all I/O modules.



#### 136385 DOL 339 LPV+CT+P program



#### 134934 DOL 339 panel complete - Large

Spare part for all DOL 339 large models.

The product is being phased out.



#### 134935 DOL 339 cover ex. CPU - Large

Spare part for all DOL 339 large models.



#### 347339 DOL 339 keyboard

Spare part for all DOL 339 large models.



#### 134960 DOL 339 display incl. plug

Spare part for all DOL 339 models.

The product is being phased out.

**DOL 339 climate and production controller - Large**

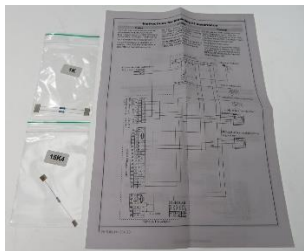
**134945 Basic module 10RK MK2, type 6**  
Spare part for all DOL 339 models.



**135707 IO type 10, 10RL 6AI 2AO**  
Spare part for all DOL 339 large models.



**136659 IO type 3 CANopen 10RL 8AI 8AO**  
Spare part for all DOL 339 models.



**560098 Resistance set**



**313037 Ribbon cable 49,5cm 10p**  
Spare part for all DOL 339 large models.

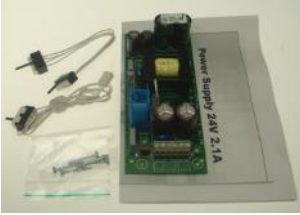


**313038 Ribbon cable 69,5cm 10p**  
Spare part for all DOL 339 large models.

### DOL 339 climate and production controller - Large



**134941 Set for installation in more levels**  
Spare part for all DOL 339 large models.



**135750 Power supply 24 V 2,1A**  
Spare part for all DOL 339 models.



**301769 Cord set w. plug, 4 pol, 4x170mm**  
For connection between power supply and main module.



**134702 Speed controller 6.8A**

Spare part for:

- 136307 DOL 339LPV Large 20RL w.sp.
- 136311 DOL 339LPV+P Large 20RL w.sp.
- 136315 DOL 339CT Large 20RL w.sp.
- 136319 DOL 339CT+P Large 20RL w.sp.
- 136320 DOL 339CT+P X-large 30RL w.sp.



**134713 DOL cooling plate kit**

Spare part for:

- 136307 DOL 339LPV Large 20RL w.sp.
- 136311 DOL 339LPV+P Large 20RL w.sp.
- 136315 DOL 339CT Large 20RL w.sp.
- 136319 DOL 339CT+P Large 20RL w.sp.
- 136320 DOL 339CT+P X-large 30RL w.sp.



**134902 Encoder - press funktion**

Spare part for all DOL 339 models.



**134903 Adjustment knob**

Spare part for all DOL 339 models.



**DOL 339 climate and production controller - Large**

**134729 4 screws f. front panel**  
Spare part for all DOL 339 models.



**132244 Data network module w. CAN bus**  
Spare part for all DOL 339 models.



**345425 Rubber sleeve for computer cabinet**  
Spare part for all DOL 339 models.



**313184-02 Female connector 4 pole 5.08mm**  
Spare part for all DOL 339 models.



**313195 Female connector 5 pole 5.08mm**  
Spare part for all DOL 339 models.



**282026 Switch 1p on-off 16(4)A 250V**

Spare part for:

- 136307 DOL 339LPV Large 20RL w.sp.
- 136311 DOL 339LPV+P Large 20RL w.sp.
- 136315 DOL 339CT Large 20RL w.sp.
- 136319 DOL 339CT+P Large 20RL w.sp.
- 136320 DOL 339CT+P X-large 30RL w.sp.



### DOL 339 climate and production controller - Large



**132860 Fuse 5x20 mm T8A spare part 10 pieces**

Spare part for:

- 136307 DOL 339LPV Large 20RL w.sp.
- 136311 DOL 339LPV+P Large 20RL w.sp.
- 136319 DOL 339CT+P Large 20RL w.sp.
- 136320 DOL 339CT+P X-large 30RL w.sp.



**134929 Silo weighing module, ex. accessories**

Spare part for:

- 135700 Silo weighing module 2 IN (<1 m)
- 135705 Silo weighing module 2 IN 200 m 230V



**140200 DOL 12 temperature sensor**

**140210 DOL 12 temperature sensor, 5 m wire**

Spare part for all DOL 339 models.

The DOL 12 temperature sensor can be used both as an inside and an outside temperature sensor.

### 9.11.2 DOL 339 climate and production controller – Small

#### DOL 339 climate and production controller - Small



#### Upgrade from DOL 339 Small to BlueControl 10" Small

Order following items for upgrade of DOL 339 Small to BlueControl 10" Small.

136337 BlueControl, 10" Small panel

135750 Power supply 24 V 2,1A

136662 Main module CANopen 12RL

136659 IO type 3 CANopen 10RL 8AI 8AO

It is recommended to replace all I/O modules.



#### 136385 DOL 339CT+P program



#### 134954 DOL 339 panel complete - Small

Spare part for all DOL 339 small models.

The product is being phased out.



#### 134960 DOL 339 display incl. plug

Spare part for all DOL 339 models.

The product is being phased out.



#### 134945 Basic module 10RK MK2, type 6

Spare part for all DOL 339 models.

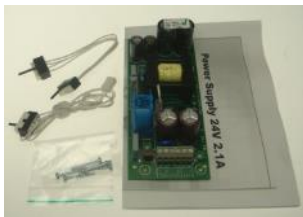
### DOL 339 climate and production controller - Small



**136659 IO type 3 CANopen 10RL 8AI 8AO**  
Spare part for all DOL 339 models.



**134941 Set for installation in more levels**  
Spare part for all DOL 339 small models.



**135750 Power supply 24 V 2,1A**  
Spare part for all DOL 339 small models.



**301769 Cord set w. plug, 4 pol, 4x170mm**  
For connection between power supply and main module.



**134702 Speed controller 6.8A**  
Spare part for:

- 136306 DOL 339LPV Small 10RL w.sp.
- 136310 DOL 339LPV+P Small 10RL w.sp.
- 136314 DOL 339CT Small 10RL w.sp.
- 136318 DOL 339CT+P Small 10RL w.sp.



**134713 DOL cooling plate kit**  
Spare part for:

- 136306 DOL 339LPV Small 10RL w.sp.
- 136310 DOL 339LPV+P Small 10RL w.sp.
- 136314 DOL 339CT Small 10RL w.sp.
- 136318 DOL 339CT+P Small 10RL w.sp.

**DOL 339 climate and production controller - Small**

**134902 Encoder - press funktion**  
Spare part for all DOL 339 models.



**134903 Adjustment knob**  
Spare part for all DOL 339 models.



**134729 4 screws f. front panel**  
Spare part for all DOL 339 models.



**132244 Data network module w. CAN bus**  
Spare part for all DOL 339 models.



**345425 Rubber sleeve for computer cabinet**  
Spare part for all DOL 339 models.



**313184-02 Female connector 4 pole 5.08mm**  
Spare part for all DOL 339 models.



**313195 Female connector 5 pole 5.08mm**  
Spare part for all DOL 339 models.



**282026 Switch 2p on-off 16(4)A 250V**  
Spare part for:

- 136306 DOL 339LPV Small 10RL w.sp.
- 136310 DOL 339LPV+P Small 10RL w.sp.
- 136314 DOL 339CT Small 10RL w.sp.
- 136318 DOL 339CT+P Small 10RL w.sp.

**DOL 339 climate and production controller - Small**

**132860 Fuse 5x20 mm T8A spare part 10 pieces**

Spare part for:

136306 DOL 339LPV Small 10RL w.sp.

136310 DOL 339LPV+P Small 10RL w.sp.

136314 DOL 339CT Small 10RL w.sp.

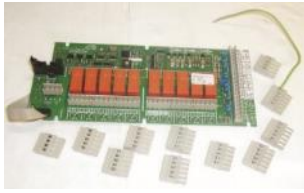


**140200 DOL 12 temperature sensor**

**140210 DOL 12 temperature sensor, 5 m wire**

Spare part for all DOL 339 models.

The DOL 12 temperature sensor can be used both as an inside and an outside temperature sensor.

**9.11.3 DOL 339 extension box****DOL 339 extension box**

135707 IO type 10, 10RL 6AI 2AO



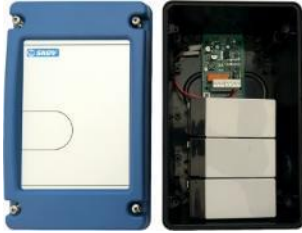
313037 Ribbon cable 49,5cm 10p



345425 Rubber sleeve for computer cabinet

## 9.12 Mini power backup unit

### Mini power backup unit



134718 Mini Power Backup Unit, 20V 1A



134792 Mini-UPS, Mini-Power, Universal



132412 278 set of batteries 4Ah. ex/vent. plug



## 9.13 Spare part suitcase

### BlueControl spare part suitcase 7"

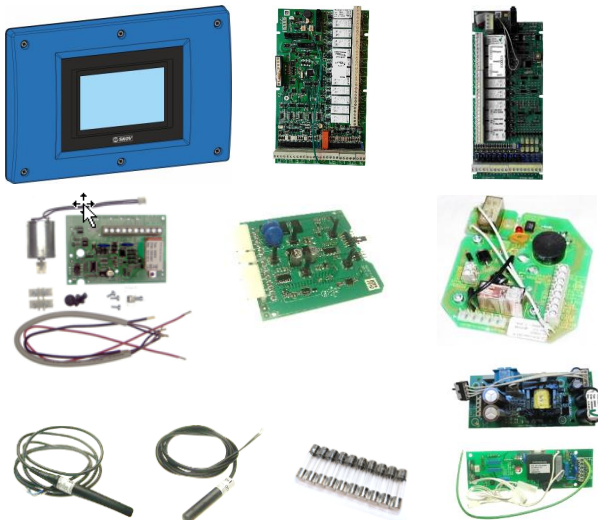


### 136988 BlueControl 7" spare parts suitcase

#### Includes:

- 136806 BlueControl, CPU with 7" display
- 136955 DOL/Touch frontfoil small/big universal
- 432976 DA 74C motor incl. circuit board
- 432953 DA 75 circuit board 24V R
- 136662 Main module CANopen 12RL
- 136659 IO type 3 CANopen 10RL 8AI 8AO
- 132860 Fuse 5x20 mm T8A spare part 10 pieces
- 134702 Speed controller 6.8A
- 135750 Power supply 24 V 2.1A
- 140200 DOL 12 temperature sensor
- 140246 DOL 10 temperature sensor
- 140252 DOL 114 humidity sensor
- 432989 175-600 motor print for control unit

### BlueControl spare parts suitcase 10"



### 136945 BlueControl 10" spare parts suitcase

#### Includes:

- 136338 BlueControl, 10" Large panel
- 432989 175-600 motor print for control unit
- 432976 DA 74C motor incl. circuit board
- 432953 DA 75 circuit board 24V R
- 136662 Main module CANopen 12RL
- 136659 IO type 3 CANopen 10RL 8AI 8AO
- 132860 Fuse 5x20 mm T8A spare part 10 pieces
- 134702 Speed controller 6.8A
- 135750 Power supply 24 V 2.1A
- 140200 DOL 12 temperature sensor
- 140252 DOL 114 humidity sensor

## 9.14 DOL 31 speed controller

### DOL 31 speed controller



#### 130826 DOL 31 CPU module

Spare part for:

130171 DOL 31 speed controller 6.8A

130172 DOL 31 speed controller 16A



#### 130824 DOL 31 basic module 6.8A

Spare part for:

130171 DOL 31 speed controller 6.8A



#### 130823 DOL 31 basic module 16A

Spare part for:

130172 DOL 31 speed controller 16A



#### 130827 DOL 31 cover ex. CPU module

Spare part for:

130171 DOL 31 speed controller 6.8A

130172 DOL 31 speed controller 16A



#### 282067 AUT-0-MAN change-over switch 16(4)A 250V

Spare part for:

130171 DOL 31 speed controller 6.8A



#### 282068 AUT-0-MAN rotary switch 20(16)A 250V

Spare part for:

130172 DOL 31 speed controller 16A

**DOL 31 speed controller****313031 Flat cable 20p 320mm 2.54 30u" female-female**

Spare part for:

130171 DOL 31 speed controller 6.8A

130172 DOL 31 speed controller 16A

**132860 Fuse 5x20 mm T8A spare part 10 pieces**

Spare part for:

130171 DOL 31 hastighedsstyring 6,8A

130172 DOL 31 speed controller 16A

**140200 DOL 12 temperature sensor****140210 DOL 12 temperature sensor, 5 m wire**

Spare part for:

130171 DOL 31 speed controller 6.8A

130172 DOL 31 speed controller 16A

## 9.15 DOL extension box

### DOL extension box

136659 IO type 3 CANopen 10RL 8AI 8AO



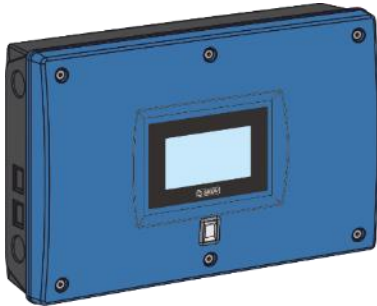
313038 Ribbon cable 69.5cm 10p



345425 Rubber sleeve for controller cabinet

## 10 Alarm

### DOL 2400/DOL 2300 Alarm System



- 134864 DOL 2400 alarm unit 10" Basic
- 134865 DOL 2400 alarm unit Large 10" Basic
- 134866 DOL 2400 alarm unit FP Large 10" Basic
- \*134871 DOL 2400 alarm unit 7"
- 134891 DOL 2400 alarm unit 7" Basic
- 134628 DOL 2400 alarm unit FP 7" Basic
- \*134877 DOL 2400 alarm unit FP 7"
- \*134881 DOL 2400 alarm unit FP Large 7"
- \*134875 DOL 2400 alarm unit Large 7"
- 134899 DOL 2400 alarm unit Large 7" Basic
- 134873 DOL 2400 alarm unit WB 7" Basic
- 134668 DOL 2400 alarm unit FP 7" EMEA
- 134669 DOL 2400 alarm unit FP Large 7" EMEA
- \*134870 DOL 2300 alarm unit 7"
- 134890 DOL 2300 alarm unit 7" Basic
- \*134876 DOL 2300 alarm unit FP 7"
- \*134880 DOL 2300 alarm unit FP Large 7"
- \*134874 DOL 2300 alarm unit Large 7"
- 134639 DOL 2300 alarm unit Large 7" Basic

### DOL 2400/DOL 2300 Extension



- 134889 DOL 2300/2400 extension 10RL

\*The product is phased out

## 10 Alarm

### DOL 2200 Alarm System



- \*134560 DOL 2200 basic DA
- \*134561 DOL 2200 basic EN
- \*134562 DOL 2200 basic DE
- \*134563 DOL 2200 basic NL
- \*134569 DOL 2200 basic CS
- \*134580 DOL 2200 dial-up fixed-line network DA
- \*134581 DOL 2200 dial-up fixed-line network EN
- \*134582 DOL 2200 dial-up fixed-line network DE
- \*134583 DOL 2200 dial-up fixed-line network NL
- \*134584 DOL 2200 dial-up fixed-line network FR
- \*134587 DOL 2200 dial-up fixed-line network SV
- \*134589 DOL 2200 dial-up fixed-line network CS
- \*134600 DOL 2200 dial-up via GSM DA
- \*134601 DOL 2200 dial-up via GSM EN
- \*134602 DOL 2200 dial-up via GSM DE
- \*134603 DOL 2200 dial-up via GSM NL
- \*134604 DOL 2200 dial-up via GSM FR
- \*134607 DOL 2200 dial-up via GSM SV
- \*134609 DOL 2200 dial-up via GSM CS

### DOL 2200 Extension Module



- \*134620 DOL 2200 extension module DA
- \*134621 DOL 2200 extension module EN
- \*134622 DOL 2200 extension module DE
- \*134623 DOL 2200 extension module NL
- \*134624 DOL 2200 extension module FR
- \*134627 DOL 2200 extension module SV
- \*134629 DOL 2200 extension module CS

### DOL 2100 Alarm System



- \*134500 DOL 2100 basic DA
- \*134501 DOL 2100 basic EN
- \*134502 DOL 2100 basic DE
- \*134520 DOL 2100 dial-up fixed-line network DA
- \*134521 DOL 2100 dial-up fixed-line network EN
- \*134522 DOL 2100 dial-up fixed-line network DE
- \*134523 DOL 2100 dial-up fixed-line network NL
- \*134524 DOL 2100 dial-up fixed-line network FR
- \*134540 DOL 2100 dial-up via GSM DA
- \*134541 DOL 2100 dial-up via GSM EN
- \*134542 DOL 2100 dial-up via GSM DE
- \*134543 DOL 2100 dial-up via GSM NL
- \*134544 DOL 2100 dial-up via GSM FR

\*The product is phased out

## 10 Alarm

### DOL 2100 Extension Module



- 134660 DOL 2100 extension module DA
- 134661 DOL 2100 extension module EN
- 134662 DOL 2100 extension module DE

### DOL 2020 Alarm System



- 134800 DOL 2020 alarm incl. of add-on box

### DOL 2012



- 140024 DOL 2012 thermostat

### DOL 2022



- \*140027 DOL 2022 power supply



## 10.1 DOL 2400/DOL 2300 alarm system

### DOL 2400/DOL 2300 alarm system

**134630 DOL 2300/2400 CPU with 7" display**



**134746 DOL 2400, 10" Small panel complete**

Display and CPU module are included.



**134747 DOL 2400, 10" Large panel complete**

Display and CPU module are included.



**134748 DOL 2400, 10" FP Large panel complete**

Display and CPU module are included.



**134898 DOL 2300 upgrade to DOL 2400**

SKOV recommends upgrading the system software to the newest version before upgrade from DOL 2300 to DOL 2400.



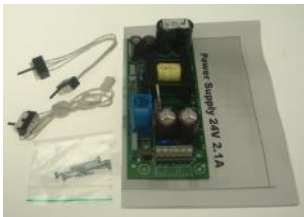
**134894 DOL 2300/2400 update to the latest version**

If using cable monitoring and the software is updated from a version older than 4.X, see 134868.

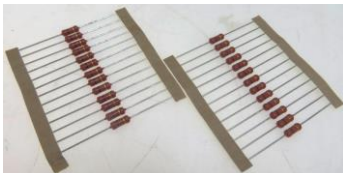


**136955 DOL Touch frontfoil small/big UNIVERSAL**

For 7" versions.

**DOL 2400/DOL 2300 alarm system****134632 DOL 2300/2400 basic module****134633 DOL 2300/2400 I/O module****135750 Power supply 24 V 2.1A****134634 DOL 2300/2400 microphone PG-7****134635 DOL 2300/2400 fingerpr. scann. USB cable****134636 DOL 2300/2400 USB cable A-B 70 cm****134868 DOL 2300/2400 4.X cable monit. 26 x 100R**

From software version 4.X two resistors are needed per input for cable monitoring.



### DOL 2400/DOL 2300 alarm system



134680 DOL 2300/2400 external GSM antenna - 10m



134708 Cable ext. for cellular aerial - 10 m



301212 Aerial internal GSM DOL 2400

For 3G modem versions.



301252 Aerial internal GSM DOL 2400

For 4G modem versions.



134863 DOL 2X00 aerial adapters GSM

Adaptors for DOL 2200 and DOL 2400 antennas to fit opposite model alarm unit.



134883 Alarm modem fixed line

**DOL 2400/DOL 2300 alarm system**

- 134867 4G Modem EU** (Europe, Middle east, Africa)
- 137840 4G Modem AP** (Asia Pacific region)
- 137841 4G Modem LA** (Latin America)
- 137842 4G Modem NF** (North America)
- 137843 4G Modem CN** (China, India)

Incl. USB with software update to newest version.

Note - ARM-CPU cannot use 4G modem.

Order the correct version for your country. Select modem via country list

<http://int.skov.com/support/Documentation/SKOV%20Open/4G%20Modem%20Country%20list.pdf>



- 140951 Battery 12V 7AH alarm system**



- 134638 DOL 2300/2400 loudspeaker**



- 140007 Alarm light 12 V**

## 10.2 DOL 2400/DOL 2300 extension

### DOL 2400/DOL 2300 extension



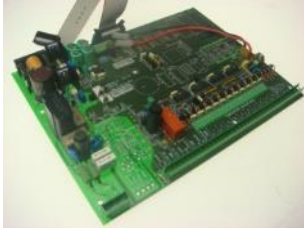
134633 DOL 2300/2400 I/O-modul



134686 Alarm extension box - flat cable set

## 10.3 DOL 2200 alarm system

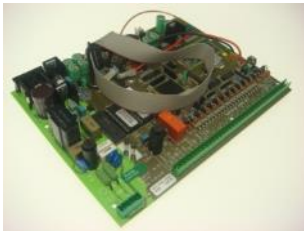
### DOL 2200 alarm system



**134678 DOL 2100/2200 relay panel basic**  
Spare part for all DOL 2200 basic.



**134670 DOL 2100/2200 relay panel fixed-line**  
Spare part for all DOL 2100/ 2200 fixed-line.



**134780 DOL 2100/2200 relay panel GSM**  
Spare part for all DOL 2100/2200 GSM.



**140959 GSM Antenne incl. cover**  
Spare part for all DOL 2100/2200 models.



**134863 DOL 2X00 aerial adapters GSM**  
Adaptors for DOL 2200 and DOL 2400 antennas to fit opposite model alarm unit.



**134708 Cable ext. for cellular aerial - 10 m**  
1 pcs. 134863 DOL 2X00 aerial adapters GSM is required to fit the alarm unit.

### DOL 2200 alarm system



#### 134680 DOL 2300/2400 external antenna - 10 m

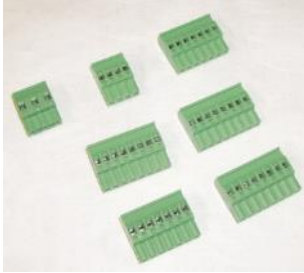
Spare part for:

134600 DOL 2200 dial-up via GSM DA

134601 DOL 2200 dial-up via GSM EN

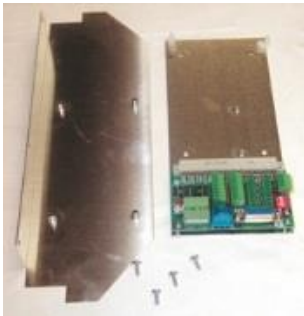
134602 DOL 2200 dial-up via GSM DE

When 134680 is a spare part for DOL 2100/2200 also order 134863 DOL 2X00 aerial adapters GSM.



#### 134685 DOL 2100/2200 plug - all variants

Spare part for all DOL 2200 models.



#### 134790 DOL 2200 kit for monitoring station TDC



#### 134760 DOL 2200 panel komplet u. SW

Spare part for all DOL 2200 models.



#### 134645 DOL 2200 display module

Spare part for all DOL 2200 models.



#### 134684 DOL 2100/2200 flat cable

Spare part for all DOL 2200 models.



#### 134727 DOL 278 adjustment knob

Spare part for all DOL 2200 models.



**DOL 2200 alarm system**

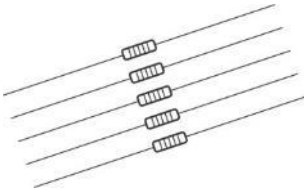
**140951 Battery 12V 7AH alarm system**  
Spare part for all DOL 2200 models.



**560107 Plugs for backup module ventilation**



**140035 Battery ext. 12V 2x7Ah alarm w/cable**



**134649 DOL 2100/2200 10 x resist 20kOhm line**  
Spare part for all DOL 2200 models.



**134729 4 screws f. front panel**  
Spare part for all DOL 2200 models.



**140207 DOL 13 temperature sensor**  
Spare part for all DOL 2200 models.



**280004 Fuse 5x20 mm. T4A**  
Spare part for all DOL 2200 models.

### DOL 2200 alarm system



**134648 DOL 2100/2200 loudspeaker**

Spare part for all DOL 2200 models.



**134683 DOL 2100/2200 loudspeaker - built-in**

Spare part for all DOL 2200 models.



**135094 DOL 2200 compl.softwarepack.fixedline DA**

**135095 DOL 2200 compl.softwarepack.fixedline EN**

**135096 DOL 2200 compl.softwarepack.fixedline DE**

**135713 DOL 2200 compl. softwarepack.fixedline FR**

**135714 DOL 2200 compl. softwarepack.fixedline SV**

**135097 DOL 2200 compl. software package GSM DA**

**135098 DOL 2200 compl. software package GSM EN**

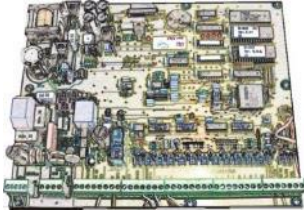
**135099 DOL 2200 compl. software package GSM DE**

**135715 DOL 2200 compl. software package GSM FR**

**135716 DOL 2200 compl. software package GSM SV**

## 10.4 DOL 2200 extension module

### DOL 2200 extension module



134679 DOL 2100/2200 relay panel extens. module



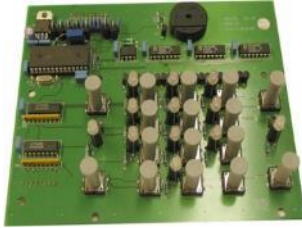
134645 DOL 2200 display module



134729 4 screws f. front panel

## 10.5 DOL 2100 alarm system

### DOL 2100 alarm system



**134644 DOL 2100 display module without language**  
Spare part for all DOL 2100 models.



**135723 DOL 2100 compl. softw.pack.fixed-line DA**  
**135729 DOL 2100 compl. softw pack.fixed-line EN**  
**135731 DOL 2100 compl. softw pack.fixed-line DE**  
**135740 DOL 2100 compl. softw pack.fixed-line NL**  
**135724 DOL 2100 compl. software package GSM DA**  
**135730 DOL 2100 compl. software package GSM EN**  
**135732 DOL 2100 compl. software package GSM DE**  
**135741 DOL 2100 compl. software package GSM NL**  
**135743 DOL 2100 compl. software package GSM FR**



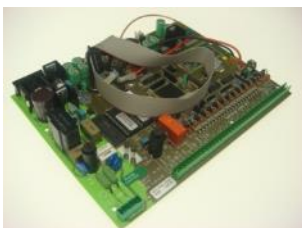
**134646 DOL 2100 front with foil**  
Spare part for all DOL 2100 models.



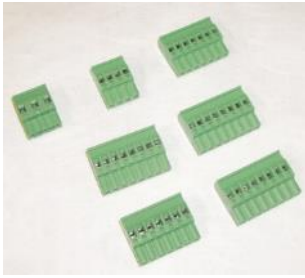
**134678 DOL 2100/2200 relay panel basic**  
Spare part for all DOL 2100 models.



**134670 DOL 2100/2200 relay panel fixed-line**  
Spare part for all DOL 2100 models.



**134780 DOL 2100/2200 relay panel GSM**  
Spare part for all DOL 2100 models.

**DOL 2100 alarm system**

**134685 DOL 2100/2200 plug - all variants**  
Spare part for all DOL 2100 models.



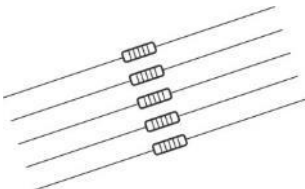
**134684 DOL 2100/2200 flat cable**  
Spare part for all DOL 2100 models.



**134648 DOL 2100/2200 loudspeaker**  
Spare part for all DOL 2100 models.



**134729 4 screws f. front panel**  
Spare part for all DOL 2100 models.



**134649 DOL 2100/2200 10 x resist 20kOhm line**  
Spare part for all DOL 2100 models.



**140951 Battery 12V 7AH alarm system**  
Spare part for all DOL 2100 models.



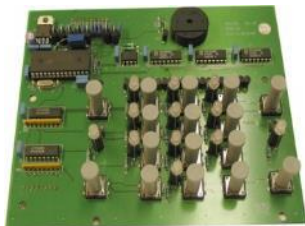
**560107 Plugs for backup module ventilation**

## 10.6 DOL 2100 extension module

### DOL 2100 extension module



134679 DOL 2100/2200 relay panel extens. module



134644 DOL 2100 display module without language



134729 4 screws f. front panel

## 10.7 DOL 2020 alarm system

### DOL 2020 alarm system



134801 Alarm basic module type 1



134808 DOL 2020 panel complete



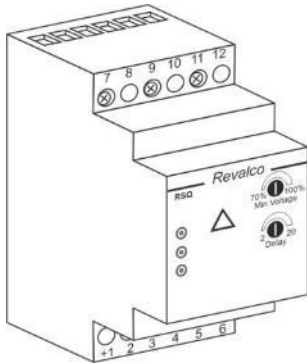
134803 Battery 12V 4.5 Ah



560107 Plugs for backup module ventilation



134805 Alarm - on-off switch



140006 Phase break relay 3x400V



**DOL 2020 alarm system****313209 Plug female 3 pole 5.08mm****313195 Female connector 5 pole 5.08mm****280002 Fuse 5x20 mm. T2A****140200 DOL 12 temperature sensor****140210 DOL 12 temperature sensor, 5 m wire**

### 10.8 DOL 2022

**DOL 2022**



**140951 Battery 12V 7AH alarm system**



**560107 Plugs for backup module ventilation**

## 11 Production control

### DOL 192 Egg counter



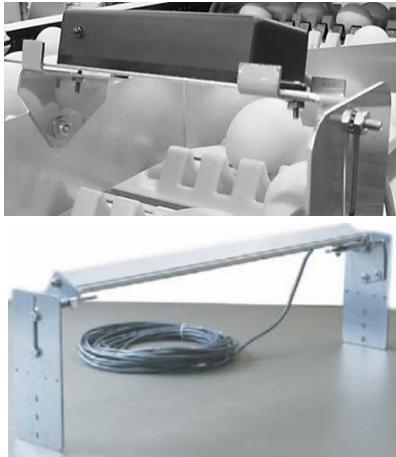
- 130383 DOL 192 Egg counter, 12 cm
- 130384 DOL 192 Egg counter, 20 cm
- 130385 DOL 192 Egg counter, 40 cm
- 130386 DOL 192 Egg counter, 50 cm
- 130387 DOL 192 Egg counter, 80 cm

### DOL 192 Egg counter



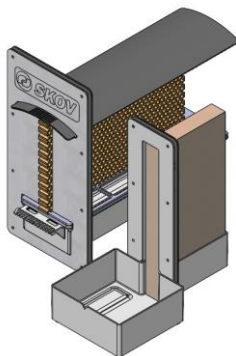
- \*130306 DOL 192 12 cm wo/display w/fitting
- \*130331 DOL 192 20 cm wo/display w/fitting
- \*130332 DOL 192 30 cm w/display+fitting
- \*130333 DOL 192 40 cm w/display+fitting
- \*130334 DOL 192 50 cm w/display+fitting
- \*130335 DOL 192 60 cm w/display+fitting
- \*130336 DOL 192 75 cm w/display+fitting

### Egg counter



- \*130344 Egg counter 8cm, 30 mA
- \*130345 Egg counter 10cm, 30 mA
- \*130348 Egg counter 20cm, 40 mA
- \*130349 Egg counter 30cm, 60 mA
- \*130350 Egg counter 40cm, 80 mA
- \*130351 Egg counter 50cm, 100 mA
- \*130352 Egg counter 60cm, 120 mA
- \*130353 Egg counter 70cm, 140 mA
- \*130354 Egg counter 80cm, 160 mA
- \*130355 Egg counter 90cm, 180 mA
- \*130356 Egg counter 100cm, 200 mA
- \*130357 Egg counter 120cm, 240 mA

### Insect cage



- 440005 Egg collector module
- 440006 Water module

\*The product is phased out

## 11 Production control

### Insect crate



### DOL 95 Broiler/Breeder computer



- \*133000 DOL 95-1 broiler computer DA v.4
- \*133300 DOL 95-1 broiler comp. restr.chain DA v.4
- \*133020 DOL 95-2 broiler computer DA v.4
- \*133320 DOL 95-2 broiler comp. restr.chain DA v.4
- \*133001 DOL 95-1 broiler computer EN v.4
- \*133301 DOL 95-1 broiler comp. restr.chain EN v.4
- \*133021 DOL 95-2 broiler computer EN v.4
- \*133321 DOL 95-2 broiler comp. restr.chain EN v.4
- \*133002 DOL 95-1 broiler computer DE v.4
- \*133302 DOL 95-1 broiler comp. restr.chain DE v.4
- \*133022 DOL 95-2 broiler computer DE v.4
- \*133322 DOL 95-2 broilercomp. restr.chain DE v.4
- \*133100 DOL 95-1 breeder computer DA v.4
- \*133120 DOL 95-2 breeder computer DA v.4
- \*133101 DOL 95-1 breeder computer EN v.4
- \*133121 DOL 95-2 breeder computer EN v.4
- \*133102 DOL 95-1 breeder computer DE v.4
- \*133122 DOL 95-2 breeder computer DE v.4

### DOL 96 Weighing computer



- \*133400 DOL 96-2 weighing computer DA v.1
- \*133420 DOL 96-4 weighing computer DA v.1
- \*133440 DOL 96-8 weighing computer DA v.1

### DOL 95 laserprinter



- \*130116 DOL 95 laserprinter w. access.

\*The product is phased out

## 11.1 DOL 192 egg counter

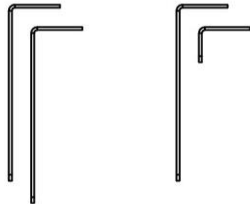
### DOL 192 egg counter



130391 DOL 192 box 24V f/2 counters

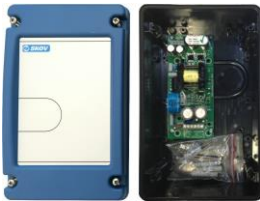


130392 DOL 192 box w/display 230V f/1 counter



130388 DOL 192 Egg counter fitting L+L

130389 DOL 192 Egg counter fitting S+L



135752 Power supply 24 V 2,1A in box



136470 BlueControl, extension box 10RL



136471 BlueControl, extension box 20RL

## 11.2 Insect cage

### Insect cage



**522383 Net frame for egg collector module**

Spare part for:

440005 Egg collector module



**531031 Water stone for water module 230x114x25**

Spare part for:

440006 Water module

## 11.3 Insect crate

### Insect crate



440001 Nursery crate



440002 Grow-out crate



440003 Pupa crate



## 11.4 DOL 95 broiler/breeder computer

### DOL 95 broiler/breeder computer



#### 132968 DOL 95 relay panel update v.1.3

Spare part for all DOL 95 breeder models.



#### 347400 DOL 95-1 Key board Skov

Spare part for all DOL 95-1 models.

#### 347401 DOL 95-2 keyboard SKOV

Spare part for all DOL 95-2 models.

#### 347402 DOL 95-1 keyboard BREEDER Skov

Spare part for all DOL 95-1 models.

#### 347403 DOL 95-2 keyboard BREEDER Skov

Spare part for all DOL 95-2 models.



#### 132956 DOL 95-1 breeder panel

Spare part for:

133100 DOL 95-1 breeder computer DA v.4

133101 DOL 95-1 breeder computer EN v.4

133102 DOL 95-1 breeder computer DE v.4



#### 132957 DOL 95-2 breeder panel

Spare part for:

133120 DOL 95-2 breeder computer DA v.4

133121 DOL 95-2 breeder computer EN v.4

133122 DOL 95-2 breeder computer DE v.4



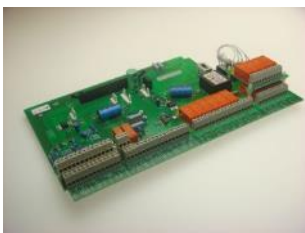
#### 190975 DOL 95 CPU-module

Spare part for all DOL 95 models.



#### 132955 DOL 95 memory module incl. flash memory

Spare part for all DOL 95 models.



#### 132953 DOL 65/95 relay panel

Spare part for all DOL 95 models.

**DOL 95 broiler/breeder computer**

**132954 DOL 95 net trafo**  
Spare part for all DOL 95 models.



**132560 DOL 95 relay module**  
Spare part for all DOL 95 models.



**132236 Euro Matic printer module**  
Spare part for all DOL 95 models.

## 11.5 DOL 96 weighing computer

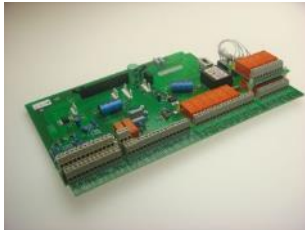
### DOL 96 weighing computer



#### 347604 Keyboard DOL 96

Spare part for:

- 133400 DOL 96-2 weighing computer DA v.1
- 133420 DOL 96-4 weighing computer DA v.1
- 133440 DOL 96-8 weighing computer DA v.1



#### 132953 DOL 65/95 relay panel

Spare part for:

- 133400 DOL 96-2 weighing computer DA v.1
- 133420 DOL 96-4 weighing computer DA v.1
- 133440 DOL 96-8 weighing computer DA v.1



#### 132954 DOL 95 net trafo

Spare part for:

- 133400 DOL 96-2 weighing computer DA v.1
- 133420 DOL 96-4 weighing computer DA v.1
- 133440 DOL 96-8 weighing computer DA v.1



#### 190975 DOL 95 CPU-module

Spare part for:

- 133400 DOL 96-2 weighing computer DA v.1
- 133420 DOL 96-4 weighing computer DA v.1
- 133440 DOL 96-8 weighing computer DA v.1



#### 132955 DOL 95 memory module incl. flash memory

Spare part for:

- 133400 DOL 96-2 weighing computer DA v.1
- 133420 DOL 96-4 weighing computer DA v.1
- 133440 DOL 96-8 weighing computer DA v.1

## 11.6 DOL 95 laserprinter

### DOL 95 laserprinter



130101 Serial for parallel transformer



130509 DOL 95 printer cable

## 12 FarmOnline

### FarmOnline Explorer



- 130360 FarmOnline start package pigs DA
- 130361 FarmOnline start package pigs EN
- 130362 FarmOnline start package pigs DE
- 130460 FarmOnline start package poultry DA
- 130461 FarmOnline start package poultry EN
- 130462 FarmOnline start package poultry DE

### FarmOnline+ Datalink



- 131545 FarmOnline+ Datalink EU
- 131546 FarmOnline+ Datalink CN
- 131547 FarmOnline+ Datalink AP
- 131548 FarmOnline+ Datalink NF
- 131549 FarmOnline+ Datalink LA

### FarmOnline Mounting Parts



### FarmOnline WebLink



- 130660 FarmOnline WebLink FarmOnline 32
- \*130661 FarmOnline WebLink Info Matic 12
- \*130662 FarmOnline WebLink Info Matic 24
- \*130663 FarmOnline WebLink Info Matic 32

### Wireless Link



- 130293 Wireless Link RS485 - 8000m, external
- 130267 Wireless RS485 - 900MHz, internal 3m
- 130268 Wireless RS485 - 900MHz, external 3m

\*The product is phased out

## 12.1 FarmOnline Explorer

### FarmOnline Explorer



140017 USB GSM Modem



130657 WLAN NanoStation M5



130655 WLAN Rocket Omni M5



136222 Multifunctional router



130610 FarmOnline licence extension



130618 FarmOnline licence key



134867 4G Modem EU (Europe, Middle east, Africa)

137840 4G Modem AP (Asia Pacific region)

137841 4G Modem LA (Latin America)

137842 4G Modem NF (North America)

137843 4G Modem CN (China, India)

Order the correct version for your country. Select modem via country list

<http://int.skov.com/support/Documentation/SKOV%20Open/4G%20Modem%20Country%20list.pdf>



130491 Surveillance camera Small 2MP/4xZ/PTZ/PoE

**FarmOnline Explorer**



**130492 Surveillance camera Big 2MP/25xZ/PTZ/PoE**



**130493 Tape self-fusion watertight 5 x 15 cm**



## 12.2 FarmOnline+ Datalink

### FarmOnline+ Datalink



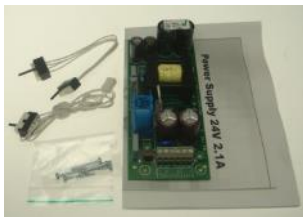
**131510 FarmOnline+ Datalink CPU with 7" display**



**313022 Flat cable 83 cm 14p UL2651 300V 105g C.**  
For connection between CPU and main module.



**136662 Main module CANopen 12RL**



**135750 Power supply 24 V 2,1A**



**301015 USB A-B Cable 70cm CPU Main / Tele large**



**134729 4 screws for front panel**

**FarmOnline+ Datalink****131511 FarmOnline+ Datalink 7" panel ex. CPU****527390 Mini box bottom black****134867 4G Modem EU** (Europe, Middle east, Africa)**137840 4G Modem AP** (Asia Pacific region)**137841 4G Modem LA** (Latin America)**137842 4G Modem NF** (North America)**137843 4G Modem CN** (China, India)

Order the correct version for your country. Select modem via country list

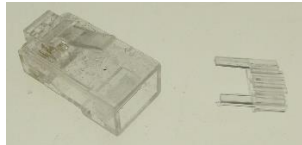
<http://int.skov.com/support/Documentation/SKOV%20Open/4G%20Modem%20Country%20list.pdf>

## 12.3 FarmOnline mounting parts

### FarmOnline Mounting Parts

**140979 LAN house wiring cable**

Use two 140980 LAN socket, RJ 45, cat. 6 for each cable.

**140980 LAN socket, RJ 45, cat. 6****140981 LAN connector, RJ 45****413069 LAN cable STP 10 m****301216 Network cable CAT6 screened 0.5m****301217 Network cable CAT6 screened 2m****301218 Network cable CAT6 screened 10m****301219 Network cable CAT6 screened 30m****602008 USB memory stick MLC 8Gb**

## 12.4 FarmOnline WebLink

### FarmOnline WebLink



130680 WebLink basis module



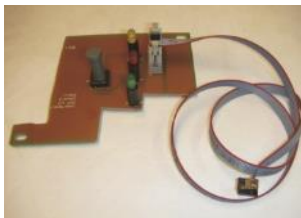
130695 FOWL CPU module for FarmOnline



134493 SD ARM (BFN) CPU - 2GB



132244 Data network module w. CAN bus



130682 WebLink lamp module



132812 78/278/378 battery module 18V 4Ah VRLA

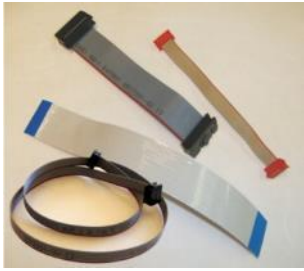


560107 Plugs for backup module ventilation



413069 LAN cable STP 10m

### FarmOnline WebLink



130685 WebLink cable kit



134729 4 screws f. front panel



130687 FarmOnline WebLink software and tools



130631 LAN Switch 5 ports



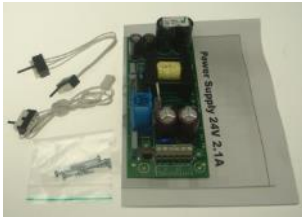
290721 5 port LAN Switch  
Spare part for 130631 LAN Switch 5 ports.



130632 LAN Switch 8 ports



290722 8 port LAN Switch

**FarmOnline WebLink**

**135750 Power supply 24 V 2.1A**



**301769 Cord set w. plug, 4 pol, 4x170mm**

For connection between power supply and main module.

## 12.5 Wireless link

### Wireless link

**130657 WLAN NanoStation M5**



**130655 WLAN Rocket Omni M5**



**136222 Multifunctional router**



**140968 Antenna Omni 2.4 GHz**

Is used for type 2000, 4000 og 8000.

Spare part for:

130293 Wireless RS485 - 2.4GHz, external 6m



**140975 RS485 aerial - Omni-2 incl. fitting**

Is used for type 1000.

Spare part for:

130293 Wireless RS485 - 2.4GHz, external 6m



**301953 Cable, aerial 3m Type 8000**

**301950 Cable, aerial 6m Type 4000**

Spare part for:

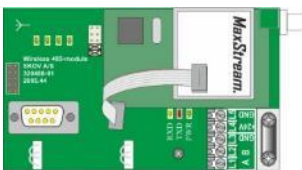
130293 Wireless RS485 - 2.4GHz, external 6m



**140974 RS485 wireless print**

Spare part for:

130293 Wireless RS485 - 2.4GHz, external 6m





**Wireless link****140977 Antenne Omni 900 MHz**

Spare part for:

130268 Wireless RS485 - 900MHz, external 3m

130267 Wireless RS485 - 900MHz, internal 3m

**301183 Cable 3m, SMA/SMA REV-POL**

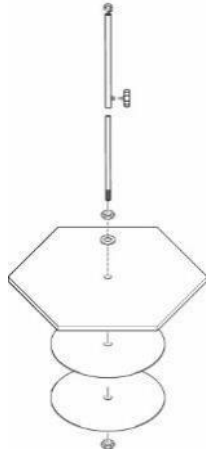
Spare part for:

130268 Wireless RS485 - 900MHz, external 3m

130267 Wireless RS485 - 900MHz, internal 3m

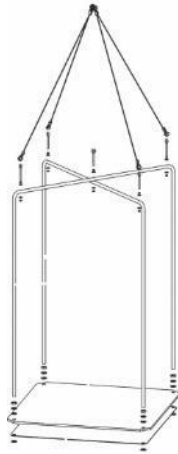
## 13 Bird scale and pig weighers

### DOL 98S-20 bird scale



130416 DOL 98S-20 bird scale

### DOL 98S-70 bird scale



130417 DOL 98S-70 bird scale

### DOL 94-10 bird scale



130412 DOL 94-10 bird scale

130418 DOL 94-10 bird scale with plug

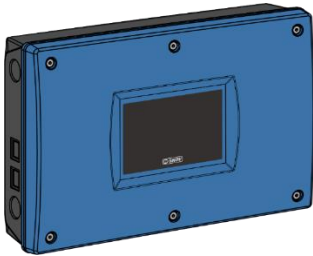
### 13 Bird scale and pig weighers

[DOL 98B bird weigher](#)



\*130410 DOL 98B bird weigher

[DOL 68 camera weighing system](#)



\*The product is phased out

## 13.1 DOL 98S-20 bird scale

### DOL 98S-20 bird scale

130443 DOL 98S-20 Load cell complete



522000 Fingerknop type ET 40815 F/Lod



352018 Nut 1/2" SST



130421 DOL 98S-20 suspension lever complete

Replaces 130444 DOL 98S-20 suspension lever.



130422 DOL 98S-20 Step plate complete

Replaces 130458 DOL 98S step plate set.

Parts for fixation are included.

## 13.2 DOL 98S-70 bird scale

### DOL 98S-70 bird scale



130441 DOL 98S-70 Load cell complete



413213 Crank 350 kg complete

### 13.3 DOL 94-10 bird scale

#### DOL 94-10 bird scale



130419 94-10 print



311508 Cable plug four-pole female end



360000 Dust cap 693 female



311503 Male plug incl. socket 693 four-leg



360001 Dust cap 693 male plug



130961 M12x1 circular connection plug



311519 Cable plug four-pole male

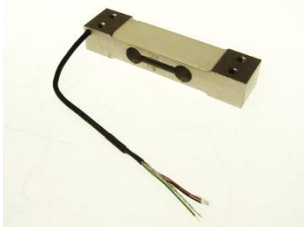


370054 DOL 94 cap

**DOL 94-10 bird scale**



**300013 DOL 94 cable complete 3m Leoco**



**290987 Load cell, DOL 94**



**343145 Rubber plug ø 30mm, DOL 94**



## 13.4 DOL 98B bird weigher

### DOL 98B bird weigher



130988 DOL 98B plug system



130983 DOL 98B fastening bracket

### 13.5 DOL 68 camera weighing system

#### DOL 68 camera weighing system



134510 Power supply DIN 24V 2,5A

134511 Power supply DIN 12V 5A



344350-A Front foil black PigGrowth SKOV



130451 DOL 68 camera



130453 DOL 68 camera LED light



130454 DOL 68 camera kit

**DOL 68 camera weighing system****272005 Camera for PGM 4MP****134512 PoE Switch 6 kanal****301068 Cable two-cored incl/plug for PC power****301216 Network cable CAT6 screened 0.5m**

## 14 Feed weighers

### DOL 9940-2 feed weigher



130329 DOL 9940-2 feed weigher w/distri shutter

130339 DOL 9940-2 feed weigher

### DOL 9940 feed weigher



\*\*130340 DOL 9940 feed weigher

### DOL 99B basic feed weigher



132603 DOL 99B basic feed weigher

### DOL 99A/99-2 feed weigher



\*130320 DOL 99-2 two-component feed weigher

130300 DOL 99A feed weigher

### DOL 199 silo weighing



130185 DOL 199 silo weighing box

130188 DOL 199 silo weighing box with display

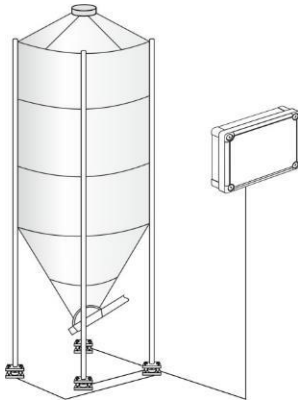
\*The product is phased out

\*\*The product is being phased out.

## 14 Feed weighers

---

### Silo weighing



## 14.1 DOL 9940-2 feed weigher

### DOL 9940 feed weigher



130952 DOL 9940 connection box with amplifier



130984 Load cell 100 kg



510120 Solenoid Kendrion S=20 mm 24VDC 100%ED



502185 DOL 9940-2 console for solenoid Kendrion

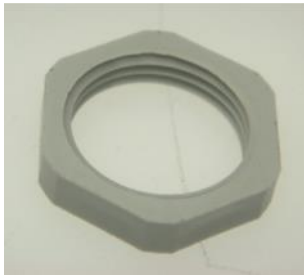


130929 DOL 9940 kit w.wearing parts f. solenoid  
Order 1 pcs. 530301 Loctite glue screw locking device 243 5 m for installation.



530301 Loctite glue Screw locking device 243 5m

130959 DOL 9940-2 Toggle joint kit

**DOL 9940 feed weigher****345024 Rubber suspension f.DA 820 ZA fans (set)****132843 Weighing amplifier for feed weigher****370138 Cable flange M20 Ø5-12mm IP65****370155 Membrane cable entry M20 Ø4-20mm****370092 Plastic nut for M20 cable flange****527144 DOL 9940-2 front cover, raw**



**DOL 9940 feed weigher**



531254 Edging EPDM black 33.369



132672 Calibration plumb for feed weigher 4x5kg



502159 Tool for manual opening DOL 9940

## 14.2 DOL 9940 feed weigher

### DOL 9940 feed weigher



130952 DOL 9940 connection box with amplifier



130984 Load cell 100 kg



510120 Solenoid Kendrion S=20 mm 24VDC 100%ED



502160 Safety bracket for solenoid DOL 9940



523046 Vibration absorber type 5 20-15-5 M6



130928 DOL 9940 kit incl. wearing parts for press block

Order 1 pcs. 530301 Loctite glue screw locking device 243 5 m for installation.

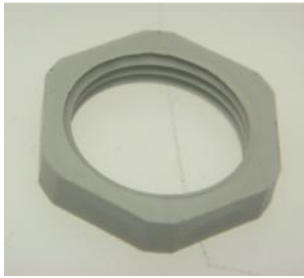


130929 DOL 9940 kit w.wearing parts f. solenoid

Order 1 pcs. 530301 Loctite glue screw locking device 243 5 m for installation.

**DOL 9940 feed weigher****530301 Loctite glue Screw locking device 243 5m****130342 DOL 9940 kit incl. wearing parts f.toggle****130341 DOL 9940 kit incl. wearing parts f.doors****523045 Vibration absorber KP-D 25/20****132843 Weighing amplifier for feed weigher****370138 Cable flange M20 Ø5-12mm IP65****370141 Blind plug M20 x 1.5mm**

### DOL 9940 feed weigher



**370092** Plastic nut for M20 cable flange



**527140** Front cover 980x580 DOL 9940



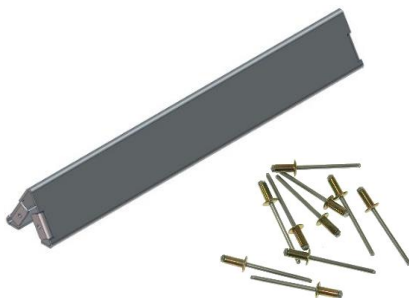
**344975** Label DOL 9940 front



**132672** Calibration plumb for feed weigher 4x5kg



**502159** Tool for manual opening DOL 9940



**130955** DOL 9940 center rail kit weigh container

Includes:

- 1 x 502142 Centre rail weighing container DOL 9940
- 1 x 560353 Blank rivet 4.0x8 FZB ISO 15983 10 pcs.

---

**DOL 9940 feed weigher**

---



**130343 DOL 9940 Filter kit**



**531241 DOL 9940 Filter 550x630 mm**

---

**531265 Edging 33.371X**

---

### 14.3 DOL 99B basic feed weigher

#### DOL 99B basic feed weigher



132842 DOL 67/99B load cell



340898 Cover pl. f. load cell DOL 99



130972 DOL 99 suspension, bearing side



325101 DOL 99 suspension, galv.



325108 DOL 99 suspension for sensor Ø13.5mm

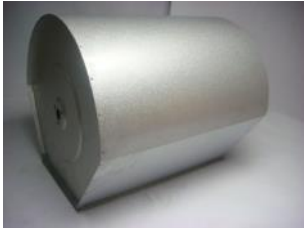


340988 DOL 99 centering wire 4 pc 4 stk

**DOL 99B basic feed weigher**



**325103 Stop plate DOL 99B**



**340994 Drum, raw for DOL 99**



**343315 End cover for DOL 99, pvc**



**132843 Weighing amplifier for feed weigher**



**130973 DOL 99 gear motor**



**432941 DA 75 A worm gearwheel**

Spare part for:

130973 DOL 99 gear motor



**229318 M-capacitor 2.0uF 400V, cable**



**DOL 99B basic feed weigher**

325500 Induct. sens f. feed weigh., weigh. drum



130954 DOL 99 leaf spring, load cell kit



130963 DOL 99 leaf spring, load cell 10 pcs. sp



132653 DOL 99B upgrade from DOL 99



520010 Funnel part for DOL 99



132651 Inlet funnel for feed weigher 3 comp.

## 14.4 DOL 99A/99-2 feed weigher

### DOL 99A/99-2 feed weigher



#### 130975 DOL 99-1 Automatic controller

Spare part for:

130300 DOL 99A feed weigher



#### 130976 DOL 99-2 Automatic unit

Spare part for:

130320 DOL 99-2 two-component feed weigher



#### 130940 DOL 99 panel, with text and language

Spare part for:

130300 DOL 99A fodervægt



#### 130941 DOL 99-2 panel, w/text+prog.

Spare part for:

130320 DOL 99-2 two-component feed weigher



#### 130945 DOL 99 relay panel autom.compl

Spare part for:

130300 DOL 99A feed weigher

130320 DOL 99-2 two-component feed weigher



#### 130978 DOL 99 load cell unit compl.

Spare part for:

130300 DOL 99A feed weigher

130320 DOL 99-2 two-component feed weigher



#### 340898 Cover pl. f. load cell DOL 99

Spare part for:

130300 DOL 99A feed weigher

130320 DOL 99-2 two-component feed weigher

**DOL 99A/99-2 feed weigher****130971 DOL 99 relay panel compl.**

Spare part for:

130300 DOL 99A feed weigher

130320 DOL 99-2 two-component feed weigher

**130973 DOL 99 gear motor**

Spare part for:

130300 DOL 99A feed weigher

130320 DOL 99-2 two-component feed weigher

**432941 DA 75 A worm gearwheel**

Spare part for:

130973 DOL 99 gear motor

**229318 M-capacitor 2.0uF 400V, cable**

Spare part for:

130300 DOL 99A feed weigher

130320 DOL 99-2 two-component feed weigher

**130972 DOL 99 suspension, bearing side**

Spare part for:

130300 DOL 99A feed weigher

130320 DOL 99-2 two-component feed weigher

**325101 DOL 99 suspension, galv.**

Spare part for:

130300 DOL 99A feed weigher

130320 DOL 99-2 two-component feed weigher

**325108 DOL 99 suspension for sensor Ø13.5mm**

**DOL 99A/99-2 feed weigher**

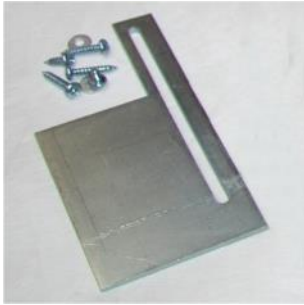


**340988 DOL 99 centering wire 4 pc 4 stk**

Spare part for:

130300 DOL 99A feed weigher

130320 DOL 99-2 two-component feed weigher



**325103 Stop plate DOL 99B**

Spare part for:

130300 DOL 99A feed weigher

130320 DOL 99-2 two-component feed weigher



**343315 End cover for DOL 99, pvc**

Spare part for:

130300 DOL 99A feed weigher

130320 DOL 99-2 two-component feed weigher



**325500 Induct. sens f. feed weigh., weigh. drum**

Spare part for:

130300 DOL 99A feed weigher

130320 DOL 99-2 two-component feed weigher



**130954 DOL 99 leaf spring, load cell kit**

Spare part for:

130300 DOL 99A feed weigher

130320 DOL 99-2 two-component feed weigher



**130963 DOL 99 leaf spring, load cell 10 pcs. sp**



**340994 Drum, raw for DOL 99**

Spare part for:

130300 DOL 99A feed weigher

130320 DOL 99-2 two-component feed weigher

**DOL 99A/99-2 feed weigher****130945 DOL 99 relay panel autom.compl**

Spare part for:

130300 DOL 99A feed weigher

130320 DOL 99-2 two-component feed weigher

**130977 DOL 99 display switch**

Spare part for:

130300 DOL 99A feed weigher

130320 DOL 99-2 two-component feed weigher

**130322 DOL 99 remote control unit**

Spare part for:

130300 DOL 99A feed weigher

130320 DOL 99-2 two-component feed weigher

**132653 DOL 99B upgrade from DOL 99**

Spare part for:

130300 DOL 99A feed weigher

130320 DOL 99-2 two-component feed weigher

**282046 Emergency switch**

Spare part for:

130300 DOL 99A feed weigher

130320 DOL 99-2 two-component feed weigher

**520010 Funnel part for DOL 99**

Spare part for:

130300 DOL 99A feed weigher

130320 DOL 99-2 two-component feed weigher

**132651 Inlet funnel for feed weigher 3 comp.**

Spare part for:

130300 DOL 99A feed weigher

130320 DOL 99-2 two-component feed weigher

## 14.5 DOL 199 silo weighing

### DOL 199 silo weighing



130186 DOL 199 silo weighing box display



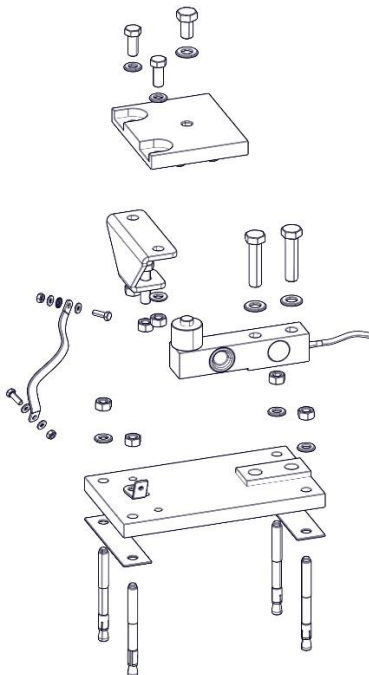
130190 DOL 199 silo weighing box cover



130189 DOL 199 Silo weighing base



130187 Silo load cell module



132675 DOL 199 load cell kit 3T for 1 leg

132676 DOL 199 load cell kit 5T for 1 leg

132677 DOL 199 load cell kit 10T for 1 leg



**DOL 199 silo weighing****132678 DOL 199 silo load cell 3T****132679 DOL 199 silo load cell 5T****132680 DOL 199 silo load cell 10T****560341 DOL 199 silo mounting kit 3T****560342 DOL 199 silo mounting kit 5T**



**DOL 199 silo weighing**



**560343 DOL 199 silo mounting kit 10T**



**132905 DOL 199 silo load cell 3T adapter kit**



**132999 DOL 199 silo load cell 5T adapter kit**



**132906 DOL 199 silo load cell 10T adapter kit**



**132690 DOL 199 Lightning protection**



**132691 DOL 199 Lightning protection sparepart**

## 14.6 Silo weighing

### Silo weighing



135700 Silo weighing module 2 IN (<1 m)



135705 Silo weighing module 2 IN 200 m 230V



134929 Silo weighing module, ex. accessories

## 15 Water meter

### DOL 90 watermeter



- 130200 DOL 90 water meter 1 IMP/1 litre
- 130203 DOL 90 water meter 1 IMP/2.5 litre
- 130207 DOL 90 water meter 1 IMP/5 litre

## 15.1 DOL 90 water meter

### DOL 90 water meter



130948 DOL 90 adapter for replacem.GWF 1x3/4"



130909 DOL 90 gasket for water meter



130840 DOL 90 1/2" plastic connector w/gasket

Spare part for:

130200 DOL 90, 1 IMP/1 liter

130203 DOL 90, 1 IMP/2.5 liter



130841 DOL 90 3/4" plastic connector w/gasket

Spare part for:

130207 DOL 90, 1 IMP/5 liter



130949 DOL 90 - wire to the water meter



130956 DOL 90 - wire for the water meter

## 16 Climate sensors

### DOL 10 temperature sensor



140246 DOL 10 temperature sensor

[www.dol-sensors.com](http://www.dol-sensors.com)

### DOL 12 temperature sensor



140200 DOL 12 temperature sensor

140210 DOL 12 temperature sensor, 5 m wire

[www.dol-sensors.com](http://www.dol-sensors.com)

### DOL 114 humidity and temperature sensor



140252 DOL 114 humidity and temp. sensor

140253 DOL 114 humidity and temp. sensor  
5 m cable

\*140255 DOL 114 humid. and temp. sensor -LED  
off

140258 DOL 114 humidity sensor incl. plug M12

[www.dol-sensors.com](http://www.dol-sensors.com)

### DOL 104 humidity sensor



140263 DOL 104 humidity sensor 0-10 V

140273 DOL 104 humidity sensor 4-20 mA

[www.dol-sensors.com](http://www.dol-sensors.com)

### DOL 119 CO2 sensor



140331 DOL 119 CO2 sensor 5000/10000 PPM

140332 DOL 119 CO2 5000/10000 PPM 4-20mA

[www.dol-sensors.com](http://www.dol-sensors.com)

### DOL 19 CO2 sensor



\*140231 DOL 19 CO2 sensor 0-10,000 PPM

[www.dol-sensors.com](http://www.dol-sensors.com)

\*The product is phased out

## 16 Climate sensors

### DOL 17 CO2 sensor



\*140225 DOL 17 CO2 sensor 0-10,000 ppm

[www.dol-sensors.com](http://www.dol-sensors.com)

### DOL 18 sub-pressure sensor



140333 DOL 18 v2 elec. sub-pressure sensor  
100 Pa

140334 DOL 18 v2 elec. sub-pressure sensor  
300 Pa

[www.dol-sensors.com](http://www.dol-sensors.com)

### DOL 18 sub-pressure sensor



\*140233 DOL 18 elec. sub-pressure sensor  
100 Pa

140234 DOL 18 elec. sub-pressure sensor  
300 Pa

[www.dol-sensors.com](http://www.dol-sensors.com)

### DOL 16 light sensor



140266 DOL 16 light 0-100/1000LUX 0-10V M12

140268 DOL 16 light sensor 0-100/1000LUX  
0-10V

140270 DOL 16 light sensor 0-50/1000 Lux  
0 – 10V

\*140271 DOL 16 light 0-50/1000 Lux 0 – 10V M12

[www.dol-sensors.com](http://www.dol-sensors.com)

\*The product is phased out

## 16 Climate sensors

---

### DOL 58 weather sensor



140232 DOL 58 weather sensor

[www.dol-sensors.com](http://www.dol-sensors.com)

---

### [DOL 53 ammonia sensor](http://www.dol-sensors.com)



140247 DOL 53 ammonia sensor

[www.dol-sensors.com](http://www.dol-sensors.com)

---

### DOL 111 rain detector



140308 DOL 111 Rain Detector 30 m cable

[www.dol-sensors.com](http://www.dol-sensors.com)

---



## 16.1 DOL 114 humidity and temperature sensor

### DOL 114 humidity and temperature sensor



140298 DOL 114 Protective cap 5 pcs.



311510 Socket 2 pole+J StAK 20



311511 Plug 2 pole+J StAS 20, Hirschmann



290207 DOL 114 protection cap plug w. OR



290257 Long wire with incl. plug for DOL 114

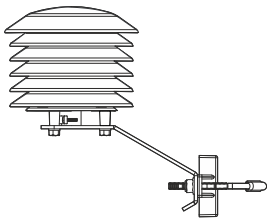


523310 Gasket for Hirschmann plug

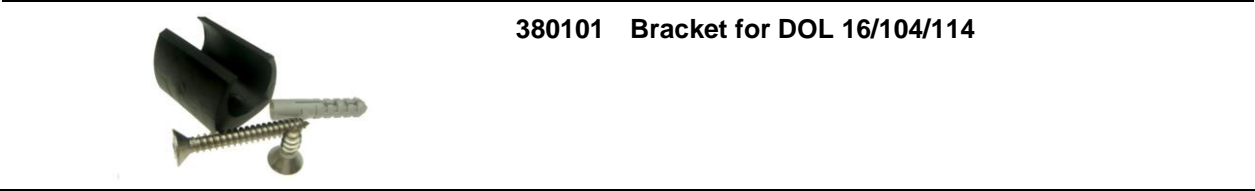


311513 Clamp relief STASI 2

**DOL 114 humidity and temperature sensor**



**140245 Radiation shield for climate sensors**



**380101 Bracket for DOL 16/104/114**

## 16.2 DOL 104 humidity sensor

### DOL 104 humidity sensor



140298 DOL 114 Protective cap 5 pcs.



311510 Socket 2 pole+J StAK 20



311511 Plug 2 pole+J StAS 20, Hirschmann



290207 DOL 114 protection cap plug w. 0R



290257 Long wire with incl. plug for DOL 114



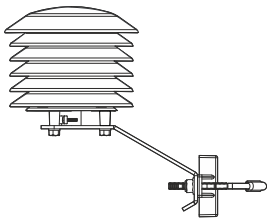
523310 Gasket for Hirschmann plug



311513 Clamp relief STASI 2

**DOL 104 humidity sensor**

**140245 Radiation shield for climate sensors**



**380101 Bracket for DOL 16/104/114**



## 16.3 DOL 119 CO2 sensor

### DOL 119 CO2 sensor



140261 DOL 119/139 Protection cap plug 5 pcs.



140269 Cable 2m M12 plug incl sealing plug

## 16.4 DOL 19 CO2 sensor

### DOL 19 CO2 sensor

140269 Cable 2m M12 plug incl sealing plug



## 16.5 DOL 17 CO2 sensor

### DOL 17 CO2 sensor



140229 DOL 17 M12 male connector



140442 DOL 17 M12 female connector with cap



140231 DOL 19 CO2 sensor 0-10,000 PPM

Spare part for:

140225 DOL 17 CO2 sensor 0-10,000 ppm



## 16.6 DOL 18 sub-pressure sensor

### DOL 18 sub-pressure sensor



140235 DOL 18 hose set



300085 Transparent plastic hose  $\varnothing 7 \times 5$



437672 Extension nipple & 5/7 PVC tube set

## 16.7 DOL 16 light sensor

### DOL 16 light sensor

140269 Cable 2m M12 plug incl sealing plug



380101 Bracket for DOL 16/104/114



## 16.8 DOL 53 ammonia sensor

### DOL 53 ammonia sensor



#### 140248 DOL 53 Replacement sensor head

Spare part for DOL 53 version 2.00 or newer.

If you have a DOL 53 version 1.00 or 1.50 (see the black label) contact SKOV A/S.



#### 140236 DOL 53 dust filter (5 pcs)



#### 140284 DOL 53 cable with connector (2 m)

## 17 Capacitive sensors



[www.dol-sensors.com](http://www.dol-sensors.com)



[www.dol-sensors.com](http://www.dol-sensors.com)



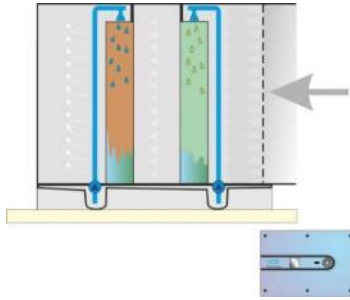
[www.dol-sensors.com](http://www.dol-sensors.com)



[www.dol-sensors.com](http://www.dol-sensors.com)

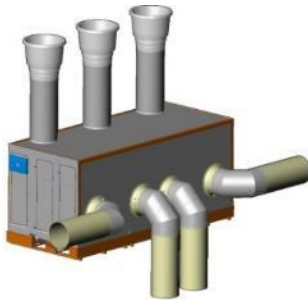
## 18 Air cleaning – Air out

### BIO Flex with DOL 356



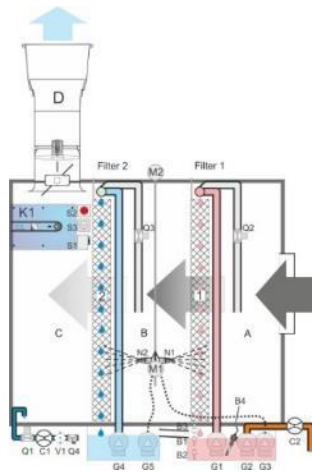
- 437739 BIO Flex start package 50Hz
- 437728 BIO Flex start package, pH-stab. 2-step filter
- 437737 BIO Flex start package, pH-stab. 3-step filter

### BIO module with DOL 256



- \*437851 BIO 1U module 230V 50 Hz
- \*437852 BIO 2U module 230V 50Hz
- \*437853 BIO 3U module 230V 50Hz
- \*437854 BIO 4U module 230V 50Hz

### BIO module with PLC



- \*437830 BIO 1U
- \*437831 BIO 2U
- \*437832 BIO 3U
- \*437833 BIO 4U

\*The product is phased out

## 18.1 BIO Flex with DOL 356

### DOL 356



- 134461 DOL 356 AirClean computer
- 134462 DOL 356 add-on box
- 134463 DOL 356 add-on, pH-adjustment

### BIO Flex filter washer



- 437726 BIO Flex filter washer 50Hz

### BIO Flex Module



- 437739 BIO Flex start package 50Hz
- 437722 BIO Flex filter - next 1.8m
- \*437723 BIO Flex filter - trickling 9m 50Hz
- 437727 BIO Flex power supply chain
- 437728 BIO Flex start package, pH-stab. 2-filter
- 437729 BIO Flex filter 3 - start
- 437731 BIO Flex filter 3 - flushing 9m
- 437732 BIO Flex humidif. - pump 1x220-240V,50Hz
- 437734 BIO Flex pH-stabilization - pump kit
- 437736 BIO Flex humidif. - pump 3x200,50/60Hz
- 437737 BIO Flex start package, pH-stab. 3-filter
- 437875 BIO Flex Ø50 trickling 9 m 1x220V 50Hz
- 437865 BIO Flex Ø50 trickling nx 9m 1x220V 50Hz
- 437876 BIO Flex Ø50 trickling 9 m 1x220V 60Hz
- 437866 BIO Flex Ø50 trickling nx 9m 1x220V 60Hz
- 437877 BIO Flex Ø50 trickling 9 m 3x200V 60Hz
- 437867 BIO Flex Ø50 trickling nx 9m 3x200V 60Hz

\*The product is phased out

**18.1.1 DOL 356****DOL 356****134015 DOL 356 CPU module w. display****134901 Basis module 10RL**

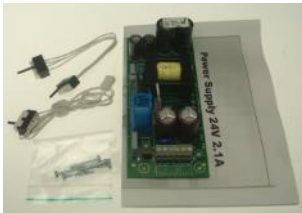
Spare part for:

134461 DOL 356 AirClean computer

**136659 IO type 3 CANopen 10RL 8AI 8AO**

Spare part for:

134461 DOL 356 AirClean computer

**135750 Power supply 24 V 2,1A**

Spare part for:

134461 DOL 356 AirClean computer

**301769 Cord set w. plug, 4 pol, 4x170mm**

For connection between power supply and main module.

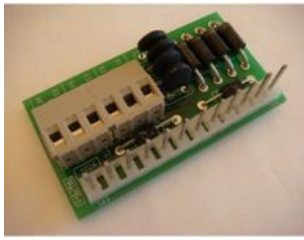
**134736 Power supply 90-264 / 24V 0,4A DIN rail**

Spare part for:

134463 DOL 356 add-on, pH-adjustment



### DOL 356



#### 290356 Motorprint DOL 356

Spare part for:

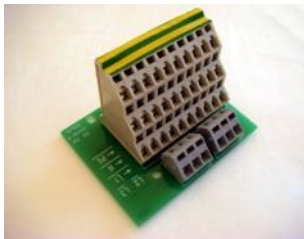
134461 DOL 356 AirClean computer



#### 134999 DOL 356 foil

Spare part for:

134461 DOL 356 AirClean computer



#### 290357 Terminal 3-storey 12A 400V

Spare part for:

134461 DOL 356 AirClean computer

134462 DOL 356 add-on box

134463 DOL 356 add-on, pH-adjustment



#### 136404 DOL 356 update latest version – 1 pieces

Spare part for:

134461 DOL 356 AirClean computer



#### 136405 DOL 356 update to latest version - 25 pieces

Spare part for:

134461 DOL 356 AirClean computer



#### 290500 Resistor 500 ohm 4-20mA -- 2-10V

Spare part for:

134461 DOL 356 AirClean computer



#### 134902 Encoder - press function

Spare part for:

134461 DOL 356 AirClean computer



#### 140200 DOL 12 temperature sensor

#### 140210 DOL 12 temperature sensor, 5 m wire

Spare part for:

134461 DOL 356 AirClean computer

134462 DOL 356 add-on box

**DOL 356****413266 Hygrostat water level sensor**

Spare part for:

134461 DOL 356 AirClean computer

134463 DOL 356 add-on, pH-adjustment

**134016 DOL 356 display incl. plug**

Spare part for:

134461 DOL 356 AirClean computer

**413303 Transmitter Conductivity HC303 0-50mS mA**

Spare part for:

134461 DOL 356 AirClean computer

134463 DOL 356 add-on, pH-adjustment

Order one 290500 per 413303.

**413291 pH-Controller acid 4-20mA (incl. ops.)**

Spare part for:

134463 DOL 356 add-on, pH-adjustment

**344258 Front foil Extension EI-Box Airclean**

Spare part for:

134462 DOL 356 add-on box

134463 DOL 356 add-on, pH-adjustment

**345425 Rubber sleeve for computer cabinet**

Spare part for:

134462 DOL 356 add-on box

**301256 Cable 650x3x0.33mm2. 22AWG 500R DOL256**

Spare part for:

134462 DOL 356 add-on box

134463 DOL 356 add-on, pH-adjustment

**DOL 356****413279 Conductivity sensor CS10-1-0S. 8-met.cab**

Spare part for:

134462 DOL 356 add-on box

134463 DOL 356 add-on, pH-adjustment

**413248 Diff. pressure sensor 0-200Pa 24V IP54 0-10V**

Spare part for:

134462 DOL 356 add-on box

**300085 Transparent plastic hose ø7x5**

Spare part for:

413248 Diff. pressure sensor 0-200Pa 24V IP54 0-10V

**413282 Cable for pH sensor, acid dosing**

Spare part for:

134463 DOL 356 add-on, pH-adjustment

**413246 BIO cal. liq for Sentek CS10-1-0S,100ml**

Spare part for:

134462 DOL 356 add-on box

134463 DOL 356 add-on, pH-adjustment

**DOL 356****437949 pH-Sensor 2-10pH incl. calibration fluid**

Spare part for:

134463 DOL 356 add-on, pH-adjustment

**413274 Cable for pH sensor stripped 10m**

Spare part for:

437949 pH-Sensor 2-10pH incl. calibration fluid

**413280 pH-Sensor 2-10pH. ex./cable****413286 pH-Calibration fluid 4.01 pH, 20 ml bag****413285 pH-Calibration fluid 7.00 pH, 20 ml bag****413200 pH-Calibration solution 10.01pH 20ml bag****413204 Calibration solution 12,88 mS/cm 20 ml****413303 Transmitter Conductivity HC303 0-50mS mA**

**DOL 356**

**413301 Transmitter pH. HC301. 0-14pH 4-20mA**



**413274 Cable for pH sensor stripped 10m**

Spare part for:

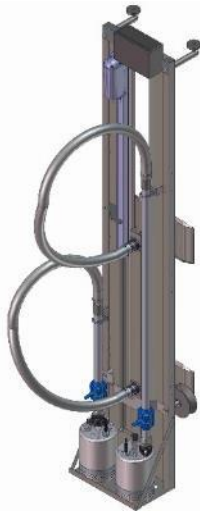
134462 DOL 356 add-on box

## 18.1.2 BIO Flex filter washer

### BIO Flex filter washer



437889 BIO Flex update kit, washer



438100 Bio Flex washing carriage complete 50Hz

438101 Bio Flex washing carriage complete 60Hz



524053 Actuator for washer, LA36 1000 mm, 24 V

Spare part for:

438100 BIO Flex washing cart compl. 1x220V 50Hz

438101 BIO Flex washing cart compl. 3x200V 60Hz

438103 BIO Flex washing cart compl. 1x220V 60Hz



524045 Actuator for washer, LA36 800 mm, 24 V

Spare part for:

438102 BIO Flex flat base washing carriage comp



524039 Bio flex dr. motor washer, 190-230V 50/6Hz



560157 Bio flex traction system

### BIO Flex filter washer



**522368** BIO Flex wire wheel f. winch motor, POM



**437001** Pump Klee KDP50-5.08S, 1x230V, 50Hz



**437368** Pump Evak 40EUB-6-05T, 3x200V, 60Hz



**437372** Pump Klee KDP50-5.04S, 1x220V, 60Hz



**437373** Flange for Evak 40EUB-5.05S 1.5"

Spare part for:

- 437367 Pump Klee KDP50-5.04S, 1x220V, 50Hz
- 437001 Pump Klee KDP50-5.08S, 1x230V, 50Hz
- 437368 Pump Evak 40EUB-6-05T, 3x200V, 60Hz
- 437372 Pump Klee KDP50-5.04S, 1x220V, 60Hz



**437385** Flange for Klee KDP50 flange 2"

Spare part for:

- 437367 Pump Klee KDP50-5.04S, 1x220V, 50Hz
- 437001 Pump Klee KDP50-5.08S, 1x230V, 50Hz
- 437368 Pump Evak 40EUB-6-05T, 3x200V, 60Hz
- 437372 Pump Klee KDP50-5.04S, 1x220V, 60Hz

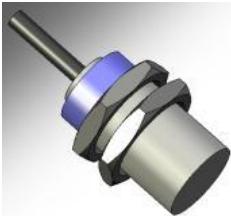


**BIO Flex filter washer**

**437369 Bio module Evak pump update kit**  
Spare part for all BIO module pumps.



**530181 PVC-U cleaning fluid Tangit 1000ml**  
Remember to include the guide 604170 TUG Safety Advice - Tangit EN



**230901 Inductive sensor M18 24V PNP**



**522035 Eye joiner with slit**



**523036 PVC hose Ø25, Heliflex**



**510165 Hose clamp ø20-32, A2**



**510239 Nozzle shaped**

**BIO Flex filter washer**

438104 Bio flex Water Trap



**18.1.3 BIO Flex module****BIO Flex module****282045 Emergency stop, red in box w. key**

Spare part for:

437739 BIO Flex start package 50Hz

437728 BIO Flex start package, pH-stab. 2-filter

437737 BIO Flex start package, pH-stab. 3-filter

**437001 Pump Klee KDP50-5.08S, 1x230V, 50Hz**

Spare part for all BIO module pumps.

**437368 Pump Evak 40EUB-6-05T, 3x200V, 60Hz**

Spare part for all BIO module pumps.

**437372 Pump Klee KDP50-5.04S, 1x220V, 60Hz**

Spare part for all BIO module pumps.

**437373 Flange for Evak 40EUB-5.05S**

Spare part for:

437367 Pump Klee KDP50-5.04S, 1x220V, 50Hz

437001 Pump Klee KDP50-5.08S, 1x230V, 50Hz

437368 Pump Evak 40EUB-6-05T, 3x200V, 60Hz

437372 Pump Klee KDP50-5.04S, 1x220V, 60Hz

### BIO Flex module



#### 437385 Flange for Klee KDP50 flange 2"

Spare part for:

- 437367 Pump Klee KDP50-5.04S, 1x220V, 50Hz
- 437001 Pump Klee KDP50-5.08S, 1x230V, 50Hz
- 437368 Pump Evak 40EUB-6-05T, 3x200V, 60Hz
- 437372 Pump Klee KDP50-5.04S, 1x220V, 60Hz



#### 437369 Bio module Evak pump update kit

Spare part for all BIO module pumps.



#### 504987 Bio flex filter for pump

Spare part for all BIO Flex pumps.



#### 522105 PVC adhesive joint Ø40mm

Spare part for:

- 437739 BIO Flex start package 50Hz
- 437728 BIO Flex start package, pH-stab. 2-filter
- 437737 BIO Flex start package, pH-stab. 3-filter



#### 522054 PVC adhesive joint Ø50 mm

Spare part for:

- 437875 BIO Flex Ø50 trickling 9 m 1x220V 50Hz
- 437865 BIO Flex Ø50 trickling nx 9m 1x220V 50Hz
- 437876 BIO Flex Ø50 trickling 9 m 1x220V 60Hz
- 437866 BIO Flex Ø50 trickling nx 9m 1x220V 60Hz
- 437877 BIO Flex Ø50 trickling 9 m 3x200V 60Hz
- 437867 BIO Flex Ø50 trickling nx 9m 3x200V 60Hz



#### 130203 DOL 90, 1 IMP/2.5 liter

Spare part for:

- 437739 BIO Flex start package 50Hz
- 437728 BIO Flex start package, pH-stab. 2-filter
- 437729 BIO Flex filter 3 – start
- 437737 BIO Flex start package, pH-stab. 3-filter

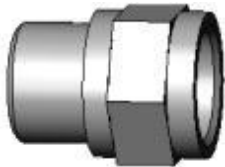
**BIO Flex module****522297 Throttle disc drainage**

Spare part for:

437739 BIO Flex start package 50Hz

437728 BIO Flex start package, pH-stab. 2-filter

437737 BIO Flex start package, pH-stab. 3-filter

**510001 Nonreturn valve ½" nip/sl**

Spare part for:

437739 BIO Flex start package 50Hz

437728 BIO Flex start package, pH-stab. 2-filter

437737 BIO Flex start package, pH-stab. 3-filter

**510236 Solenoid valve 1/2" for bio module**

Spare part for:

437739 BIO Flex start package 50Hz

437728 BIO Flex start package, pH-stab. 2-filter

437729 BIO Flex filter 3 – start

437737 BIO Flex start package, pH-stab. 3-filter

**510237 Coil 24V for solenoid valve, Bio module**

Spare part for:

437739 BIO Flex start package 50Hz

437728 BIO Flex start package, pH-stab. 2-filter

437729 BIO Flex filter 3 – start

437737 BIO Flex start package, pH-stab. 3-filter

**253502 Transzorb 600W 36V-AC P6KE36CA DO-15 ree****510175 Dirt trap ½"**

Spare part for:

437739 BIO Flex start package 50Hz

437728 BIO Flex start package, pH-stab. 2-filter

437729 BIO Flex filter 3 – start

437737 BIO Flex start package, pH-stab. 3-filter

**413248 Diff. pressure sensor 0-200Pa 24V IP54 0-10V**

Spare part for:

437739 BIO Flex start package 50Hz

437728 BIO Flex start package, pH-stab. 2-filter

437737 BIO Flex start package, pH-stab. 3-filter

### BIO Flex module



#### 300085 Transparent plastic hose $\varnothing$ 7x5

Spare part for:

413248 Diff. pressure sensor 0-200Pa 24V IP54 0-10V



#### 437949 pH-Sensor 2-10pH incl. calibration fluid

Spare part for:

437739 BIO Flex start package 50Hz

437728 BIO Flex start package, pH-stab. 2-filter

437737 BIO Flex start package, pH-stab. 3-filter



#### 413274 Cable for pH sensor stripped 10m

Spare part for:

437949 pH-Sensor 2-10pH incl. calibration fluid



#### 413282 Cable for pH sensor, acid dosing

Spare part for:

437739 BIO Flex start package 50Hz

437728 BIO Flex start package, pH-stab. 2-filter

437737 BIO Flex start package, pH-stab. 3-filter



#### 413264 Hygrostat. water level.s 0-2m. 4-20mA

Spare part for:

437739 BIO Flex start package 50Hz

437728 BIO Flex start package, pH-stab. 2-filter

437737 BIO Flex start package, pH-stab. 3-filter



#### 413279 Conductivity sensor CS10-1-0S. 8-met.cab 8-met.kab

Spare part for:

437739 BIO Flex start package 50Hz

437728 BIO Flex start package, pH-stab. 2-filter

437737 BIO Flex start package, pH-stab. 3-filter



### BIO Flex module



#### 300085 Transparent plastic hose $\varnothing 7 \times 5$

Spare part for:

- 437739 BIO Flex start package 50Hz
- 437728 BIO Flex start package, pH-stab. 2-filter
- 437737 BIO Flex start package, pH-stab. 3-filter



#### 560087 BIO Flex pipe for pressure measurement

Spare part for:

- 437739 BIO Flex start package 50Hz
- 437728 BIO Flex start package, pH-stab. 2-filter
- 437737 BIO Flex start package, pH-stab. 3-filter



#### 560088 Fly net 100 x 100mm

Spare part for:

- 437739 BIO Flex start package 50Hz
- 437728 BIO Flex start package, pH-stab. 2-filter
- 437737 BIO Flex start package, pH-stab. 3-filter



#### 413246 BIO cal. liq for Sentek CS10-1-0S, 100ml

Spare part for:

- 437739 BIO Flex start package 50Hz



#### 437303 Biolog. filter 600x600x2000 brown/brown

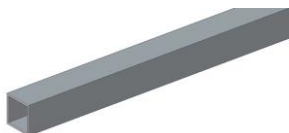
Spare part for:

- 437729 BIO Flex filter 3 - start
- 437730 BIO Flex filter 3 - next 1.8m



#### 437349 BIO filter 150x600x2000

Spare part for all models.



#### 505840 Bio Flex filter holder, 20x20x1900, A2



## BIO Flex module



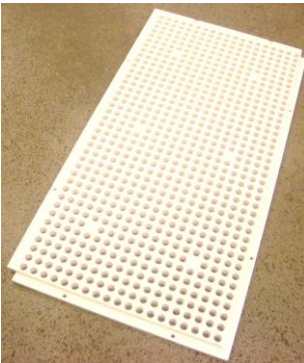
**504795 Bio Flex bracket for filter holder, A2**



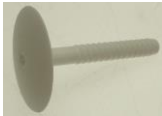
**560152 Bio flex filter screw kit**

Spare part for:

437722 BIO Flex filter - next 1.8m



**522533 BIO Flex air distribution plate 1.2 x 0.6 m**



**522557 BIO Flex clips ø30x44 white, PE**



**522535 PVC pipe Ø25 water distrib. Ø5 holes**

Spare part for:

437723 BIO Flex filter - trickling 9m 50Hz

437731 BIO Flex filter 3 - flushing 9m



**522572 PVC pipe Ø50 water distr. with Ø5 holes**

Spare part for:

437875 BIO Flex Ø50 trickling 9 m 1x220V 50Hz

437865 BIO Flex Ø50 trickling nx 9m 1x220V 50Hz

437876 BIO Flex Ø50 trickling 9 m 1x220V 60Hz

437866 BIO Flex Ø50 trickling nx 9m 1x220V 60Hz

437877 BIO Flex Ø50 trickling 9 m 3x200V 60Hz

437867 BIO Flex Ø50 trickling nx 9m 3x200V 60Hz



**513001 BIO Flex double nozzle 40 mm, raw**

**BIO Flex module**

**522566** BIO Flex screen for wash nozzle



**510167** Collar band ø40-60, A2



**290028** Wiring box for sprinkling pump

Spare part for:

437723 BIO Flex filter - trickling 9m 50Hz

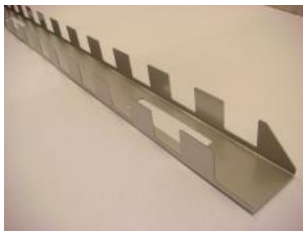


**522369** Bio Flex power supply chain incl. wire

**437727** BIO Flex power supply chain

Spare part for:

437727 BIO Flex power supply chain



**504914** Bio flex cabling tray 1.8 m, A2

Spare part for:

437727 BIO Flex power supply chain



**560158** BIO Flex strainer for pulling setup



**560162** BIO Flex fittings, filter 3 basis

Spare part for:

437729 BIO Flex filter 3 – start



**570233** Ball plug valve w/T-handle 1/2 Mercury m/m

Spare part for:

437729 BIO Flex filter 3 - start

### BIO Flex module



#### 560164 BIO Flex fittings, filter 3, 9 m

Spare part for:

437731 BIO Flex filter 3 - flushing 9m



#### 413292 Pump 7800-8 7.5 l/t acid incl. setup

Spare part for:

437734 BIO Flex pH-stabilization - pump kit



#### 413293 Cable 2m for acip pump

Spare part for:

437734 BIO Flex pH-stabilization - pump kit



#### 413294 Hose PE-Ø6/9mm - 10m acid

Spare part for:

437734 BIO Flex pH-stabilization - pump kit



#### 413295 Suction lance Ø6/9x435mm 25l- can acid

Spare part for:

437734 BIO Flex pH-stabilization - pump kit



#### 290029 Hose set 2 pcs. Ø6/9mm – 1.25m

Spare part for:

437734 BIO Flex pH-stabilization - pump kit

**BIO Flex module**



**523041 PVC drag hose ø40**



**437738 BIO Flex Startpaket, pH stabilization**

Spare part for:

437737 BIO Flex start package, pH-stab. 3-filter

## 18.2 BIO Module with DOL 256

### DOL 256

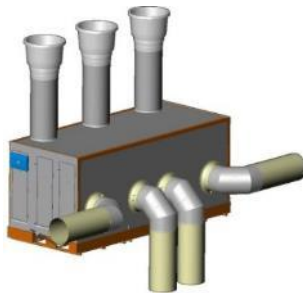


\*134460 DOL 256 AirClean computer EN-DA-DE

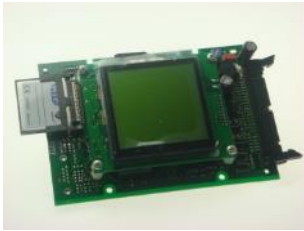
### Filter washer



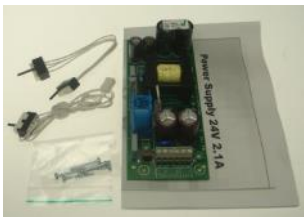
### BIO module 1-4U



\*The product is phased out

**18.2.1 DOL 256****DOL 256****134912 DOL 234 CPU module w. display**

The product is being phased out.

**134901 Basis module 10RL****136659 IO type 3 CANopen 10RL 8AI 8AO****135750 Power supply 24 V 2,1A****301769 Cord set w. plug, 4 pol, 4x170mm**

For connection between power supply and main module.

**134903 Adjustment knob****134902 Encoder - press funktion**

**DOL 256**

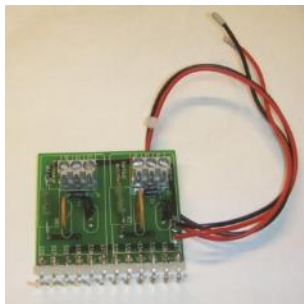
413279 Conductivity sensor CS10-1-0S. 8-met.cab 8-met.kab



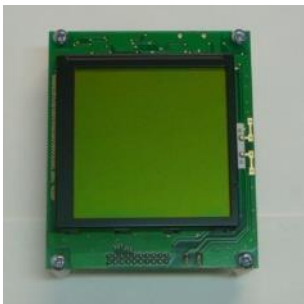
413246 BIO cal. liq for Sentek CS10-1-0S,100ml



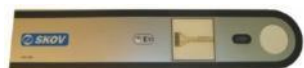
136401 DOL 256 update latest version



134963 DOL 256 circuit board for washer



134958 DOL 224/234 display incl. plug



134964 DOL 256 Keyboard complete



**18.2.2 Filter washer****Filter washer**

522182 PVC connection nip/mf  $\varnothing 25 \times 3/4$ "



510235 Tongue nozzle



523036 PVC hose  $\varnothing 25$ , Evaflex

- BIO 1U: 3 m
- BIO 2U: 5 m
- BIO 3U: 6 m
- BIO 4U: 8 m



504972 Stainless collar band 25-35 mm

438026 BIO 1U notched belt 4 m, optibelt T10

438027 BIO 2U notched belt 7 m, optibelt T10

438028 BIO 3U notched belt 11 m, optibelt T10

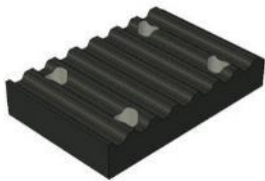
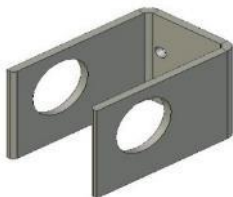
437029 BIO 4U notched belt 15 m, optibelt T10

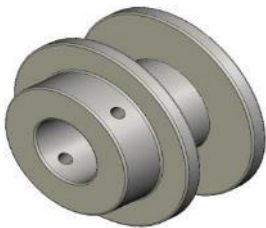
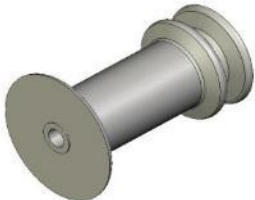


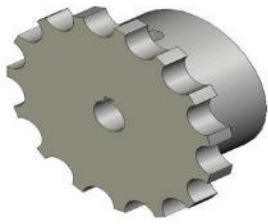
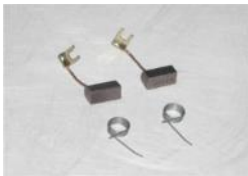
413259 Mounting set f. notched belt equipment

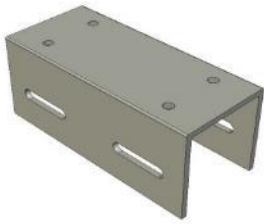
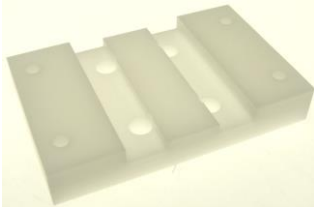
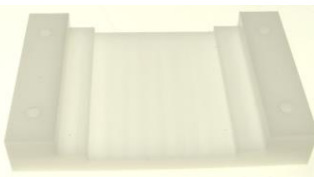
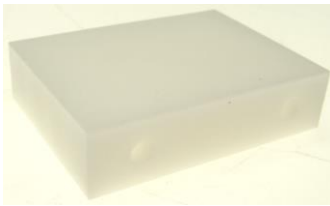


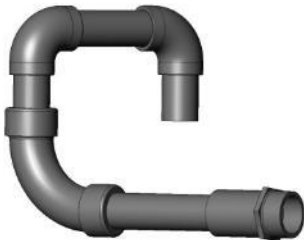
438019 BIO module toothed pulley f.washing boom

**Filter washer****508040 BIO module toothed pulley T1015 POM****523447 Slide block for Ø15 pipe, POM****352932 Stainless tailstock screw M6x10 A2****508041 BIO module holder-up for notched belt, T10 POM****521413 Axle for toothed pulley Ø10, 60mm****437880 BIO module holder-up for notched belt****521416 Belt stretcher for profile****521417 Motor enclosure for protection of motor**

**Filter washer****523445** POM bushing for limit stop bolt**523450** Loading straps 25x3500mm**437913** Control for washing boom 1,8m**523446** Strap pulley for 1" pipe**526036** DA 1200 pulley Ø6, 1/22/41X49.5**505835** Axle for pulley, horizontal Ø6x80**521418** Toothed wheel for axle 1/2"

**Filter washer****521419** Toothed wheel for motor 1/2"**520186** Chain 1/2"**520187** Chain fastener 1/2"**524038** Gear PM10 SWS 24V 10RPM**432910** DA 75 motor brushes**437848** BIO module washer, motor incl. fixture**521414** Motor fixture for aluminium profile

**Filter washer****521420 Motor fixture, top****522320 Slide block for aluminium profile, quart****522321 Guide for aluminium quartered****522322 Slide for alu profile, quartered, side****522775 Hydraulic pipe, hanger Ø25****523447 Slide block for Ø15 pipe, POM****523442 POM bushing for Ø10 axle**

**Filter washer****523443 POM bushing for belt stretcher, right****523444 POM bushing for belt stretcher, left****523441 Side disc for toothed pulley****522035 Eye joiner with slit****522400 BIO washer, piping, filter 1"****522401 BIO washer, piping, filter 2"**

**18.2.3 BIO module 1-4U****BIO module 1-4U**

**437001 Pump Klee KDP50-5.08S, 1x230V, 50Hz**  
Spare part for all BIO module pumps.



**437368 Pump Evak 40EUB-6-05T, 3x200V, 60Hz**  
Spare part for all BIO module pumps.



**437372 Pump Klee KDP50-5.04S, 1x220V, 60Hz**  
Spare part for all BIO module pumps.

**437373 Flange for Evak 40EUB-5.05S**

Spare part for:

- 437367 Pump Klee KDP50-5.04S, 1x220V, 50Hz
- 437001 Pump Klee KDP50-5.08S, 1x230V, 50Hz
- 437368 Pump Evak 40EUB-6-05T, 3x200V, 60Hz
- 437372 Pump Klee KDP50-5.04S, 1x220V, 60Hz

**437385 Flange for Klee KDP50 flange 2"**

Spare part for:

- 437367 Pump Klee KDP50-5.04S, 1x220V, 50Hz
- 437001 Pump Klee KDP50-5.08S, 1x230V, 50Hz
- 437368 Pump Evak 40EUB-6-05T, 3x200V, 60Hz
- 437372 Pump Klee KDP50-5.04S, 1x220V, 60Hz



**BIO module 1-4U**

**437369 Bio module Evak pump update kit**  
Spare part for all BIO module pumps.



**522514 PVC connecting nipple/sleeve 40x1 ¼"insi**



**522187 PVC angle 90° 40 mm**



**522513 PP elbow 67 degr Ø40**



**522105 PVC adhesive joint Ø40mm**



**560171 Wash kit for biological air cleaning**

Spare part for:

437001 Pump Klee KDP50-5.08S, 1x230V, 50Hz

**BIO module 1-4U****522138** Level switch incl. 5 m cable**282045** Emergency stop red in box with key**522190** PVC Ball valve 40 mm**530171** PVC- Lim. Pevicol, 125g**437349** BIO filter 150x600x2000**130207** DOL 90, 1 IMP/5 litre  
Is used for the water draining.

**BIO module 1-4U**

**130203 DOL 90, 1 IMP/2.5 liter**

Is used for the water supply.

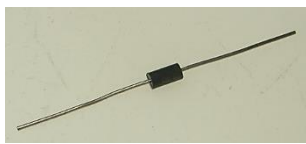


**510236 Solenoid valve 1/2" for bio module**

**510237 Coil 24V for solenoid valve, Bio module**

**140927 Coil for magnet valve 230V / 10W**

**510190 Plug for solenoid valve**



**253502 Transzorb 600W 36V-AC P6KE36CA DO-15 ree**



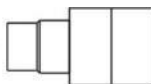
**510175 Dirt trap 1/2"**



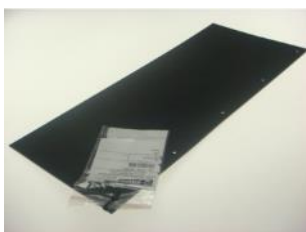
**522134 Ø32 mm pipe hangers**



**510227 Ball valve 1/2", nipple/nipple**



**522078 PVC reduction Ø50/Ø40**



**437899 BIO module water guard for exhaust unit**

---

**BIO module 1-4U**

---



**413279 Conductivity sensor CS10-1-0S. 8-met.cab**

---



**413246 BIO cal. liq for Sentek CS10-1-0S,100ml**

---

**522363 Roller cage, plate, front**

---

**522364 Roller cage plate, back**

---

### 18.3 BIO module with PLC

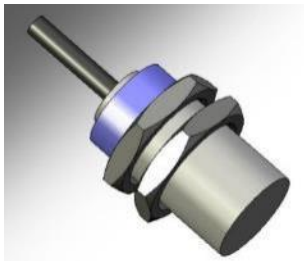
#### BIO module with PLC



510236 Solenoid valve 1/2" for bio module



510237 Coil 24V for solenoid valve, Bio module



230901 Induktiv sensor M18 PNP



522105 PVC adhesive joint Ø40mm

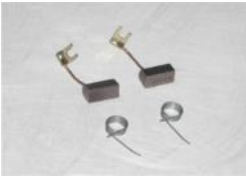


522139 PVC reducing sleeve short 40x25mm



522138 Level switch incl. 5m cable

**BIO module with PLC****401990 Sub-pressure gauge -10 - 600 Pa****401995 Hose for sub-pressure gauge****530171 PVC- Lim. Pevicol, 125g****130207 DOL 90, 1 IMP/5 litre**  
Is used for the water draining.**130203 DOL 90, 1 IMP/2.5 liter**  
Is used for the water supply.**510110 Non-return valve 3/4"**

**BIO module with PLC****432910 DA 75 motor brushes****510235 Tongue nozzle****504972 Stainless collar band 25-35 mm**



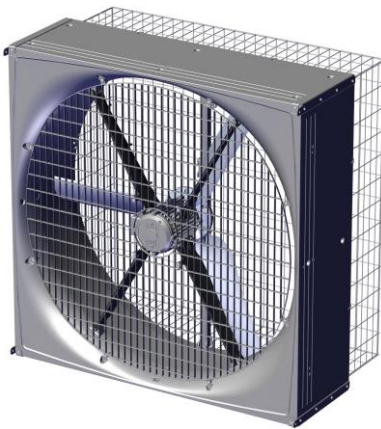
## 19 Recirculation unit

### DA 65-600 chill unit



- \*445928 DA 65-600 Chill unit 230 V 50 Hz
- \*445931 DA 65-600 Chill unit 230 V 60 Hz
- 445934 DA 65-600 Chill unit 230 V 50 Hz KD
- 445935 DA 65-600 Chill unit 230 V 60 Hz KD
- 445936 DA 65-600 chill unit wo/fan KD

### BF 50 recirculation fan



- 435450 BF 50 ON/OFF recirc. 230V1 1.5 hp 50Hz
- 435451 BF 50 ON/OFF recirc. 230V1 1.5 hp 60Hz
- 435448 BF 50 ON/OFF recirc. 230V3 1.5 hp 60Hz
- 435452 BF 50 ON/OFF recirc. 400V3 1.5 hp 50Hz
- 435481 BF 50 LPC recirc. LE 230V3 50/60Hz
- \*\*435447 BF 50 LPC -3 recirc. LE 230V3 50/60Hz
- 435453 BF 50 LPC recirc. LE 230V1 50/60Hz
- 435454 BF 50 LPC recirc. LE 400V3 50/60Hz

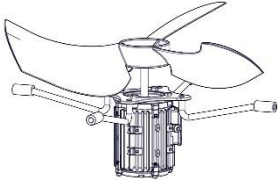
\*The product is phased out

\*\*The product is being phased out

## 19.1 DA 65-600 chill unit

### DA 65-600 chill unit

445932 DA 65-600 chill fan 230 V 60 Hz



445938 DA 65-600 A chill fan 230V1 50Hz



524148 Motor DA 65 chill fan 230V 0.25KW 50/60Hz



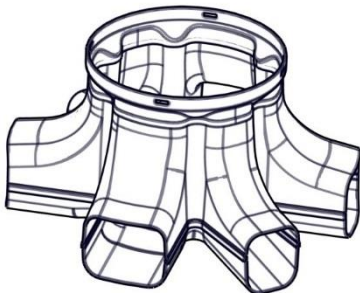
445933 DA 65 chill motor kondensator



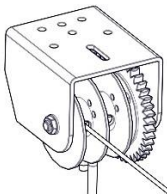
560857 DA 65-600 chill unit mounting set



433956 DA 65-600 Chill unit head KD



413206 Cable winch 340 kg



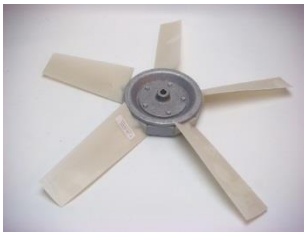
**DA 65-600 chill unit**



525042 DA 600 impeller 42



520255 DA 600 LPC-11/12/13 fan suspension



525013 Fan blade 625/5-10/35/PAG/3HL/B

## 20 Air cleaning – Air in

### Filter box for wall inlet



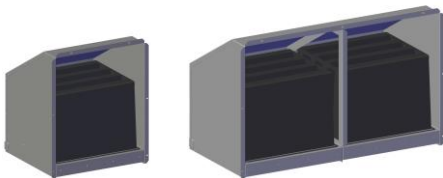
431008 Filter box for wall inlet, incl. MERV 15

431009 Filter box for wall inlet, incl. MERV 16

### Filter system



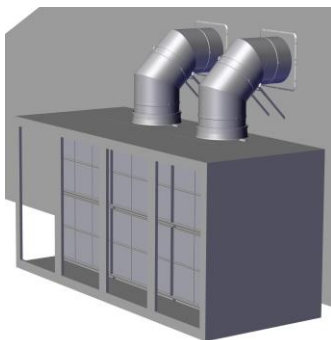
### Filter box negative pressure



431021 Filter box single negative pressure without filter

431022 Filter box double negative pressure without filter

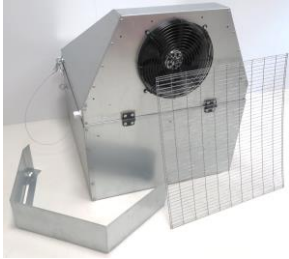
### Filter module



431020 Filter module 20' without filters

## 20.1 Filter box for wall inlet

### Filter box for wall inlet



431006 Filter box for wall inlet, ex. Filter



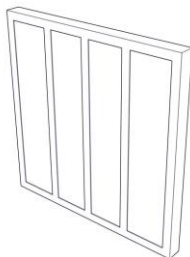
431010 Pressure switch for filter box



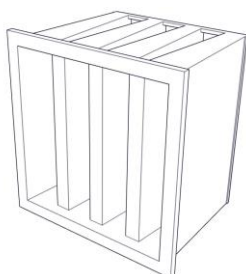
431011 Fan for filter box for wall inlet



560344 Screw set filter box for wall inlet



431001 Prefilter G4/MERV 8 594x592x44



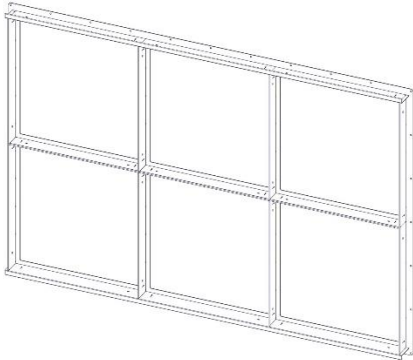
431004 Main filter F9/MERV 15 592x592x292

431005 Main filter E10/MERV 16 592x592x292

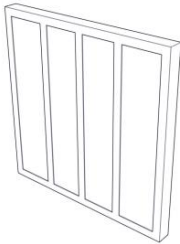
## 20.2 Filter system

### Filter system

431025 Metal filter grid 3x2 incl. springs

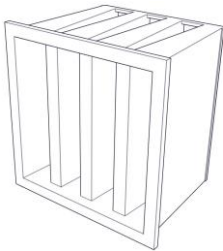


431001 Pre-filter G4/MERV 8 594x592x44



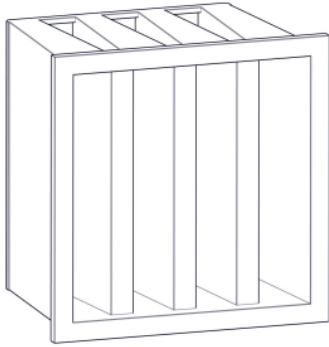
431002 Main filter F9/MERV 15 592x592x440

431003 Main filter E10/MERV 16 592x592x440

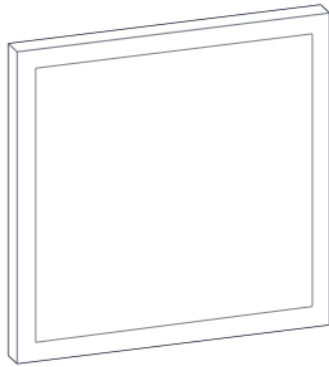


## 20.3 Filter box negative pressure

### Filter box negative pressure



431015 Main filter MERV 15 BioCel 592x592x440

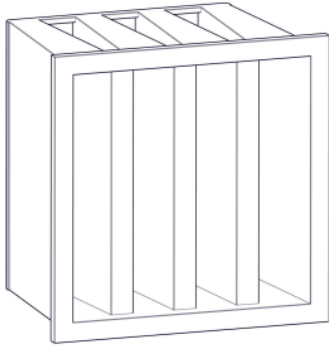


431016 Prefilter G4/MERV 8 592x592x48 plastic

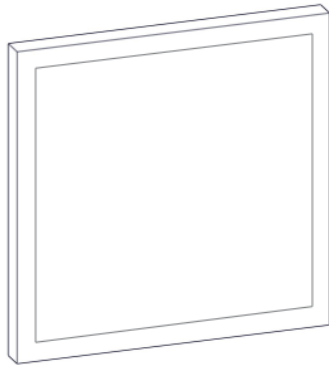


## 20.4 Filter module

### Filter module



**431015 Main filter MERV 15 BioCel 592x592x440**



**431016 Prefilter G4/MERV 8 592x592x48 plastic**



**520074 Spring for filter frame, A2**

Spare part for:

431015 Main filter MERV 15 BioCel 592x592x440

431016 Prefilter G4/MERV 8 592x592x48 plastic



**445140 DA 820F-3 VFD fan high pre 400V3 50/60Hz**



**140333 DOL 18 v2 elec. sub-pressure sensor 100 Pa**

## 21 Various spare parts

### Various spare parts



**140005 Danfoss pressure monitor RT200**



**140004 Danfoss thermostat RT 103**



**280060 Contactor tripolar 400V, 230V 50/60 Hz**



**409145 Thermal protection for fan 230V w/alarm contact**  
For protection of a 230 V fan with thermal cutout.



**409147 Thermal protection for fan 400V w/alarm contact**  
For protection of a 400 V fan with thermal cutout.



**413239 Electronic differential pressure sensor**

## Various spare parts



229304 M-capacitor 2,0 microF 400V



140060 Thermostat 230V AMDR



413233 Nylon string 3 mm, braided 300m/rl

522073 1/8" neo - line  
300m/rl

401995 Hose for sub-pressure gauge



530400 Oil f. sub-pressure gauge, red

**Various spare parts**



**413299 Smoke fluid 250ml**

Spare part for:

413298 Look Tiny CX 1kg



**413273 Vaporizer f. smoke machine Look Tiny CX**



**120905 DOL 76 relay panel**



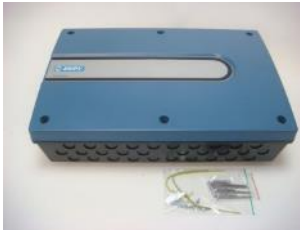
**120906 DOL 76 front panel**



**134734 Universal box blue 260 x 160**



**134731 Multipurpose housing blue 380 x 400**

**Various spare parts****134732 Multipurpose housing blue 380 x 566****134703 M25 cable flanges (30 pcs.)****413231 Psychrometer****413229 Wicks for psychrometer, one box of five****401990 Sub-pressure gauge -10 - 600 Pa****437546 Hand pump for oil change****777071 Oil 1.0 liter, 15W40**

**Various spare parts**

413232 House board for sensors etc.



